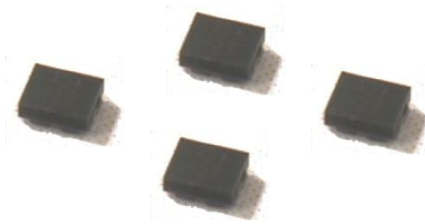




# Data Sheet of SAW Components



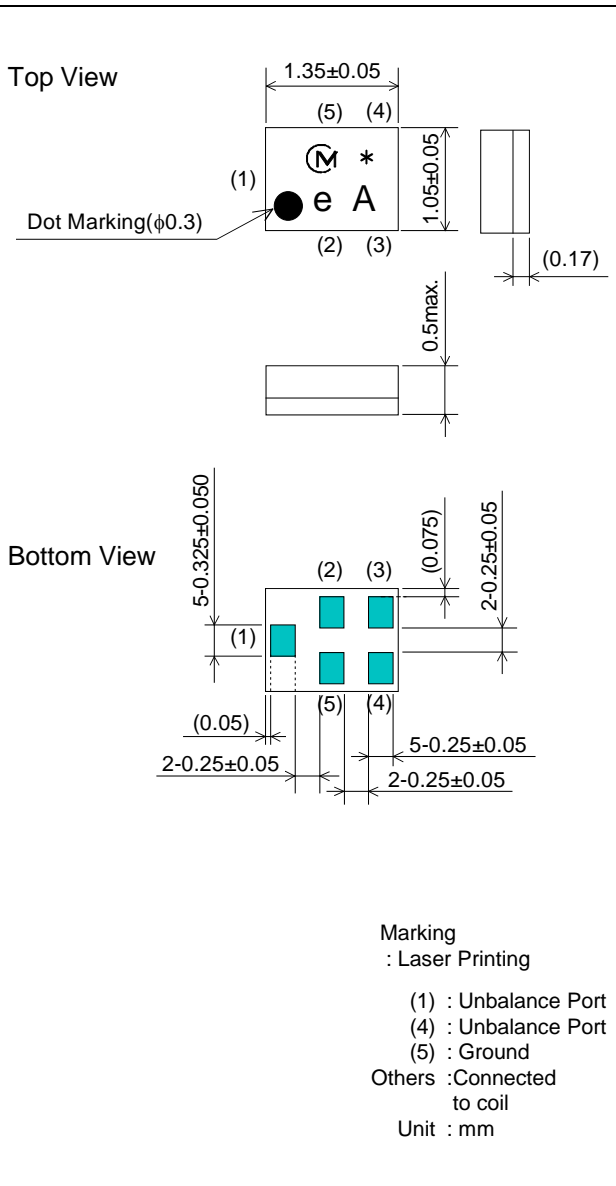
Note : Murata SAW Component is applicable for Cellular /Cordless phone (Terminal) relevant market only.

Please also read caution at the end of this document.

# SAW REJECTION FILTER FOR ISDB-T (1seg)

Murata part number : SAEEA835MBA0F00

## Package Dimensions



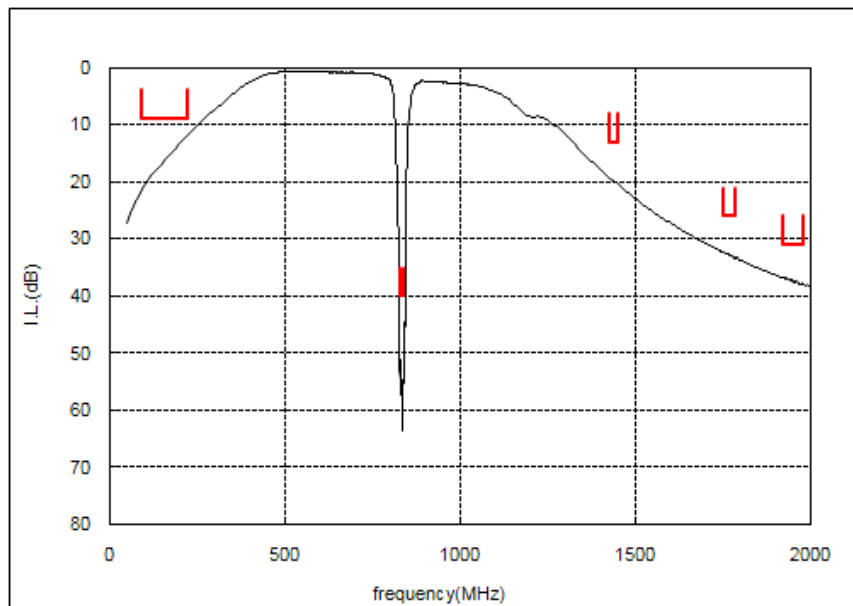
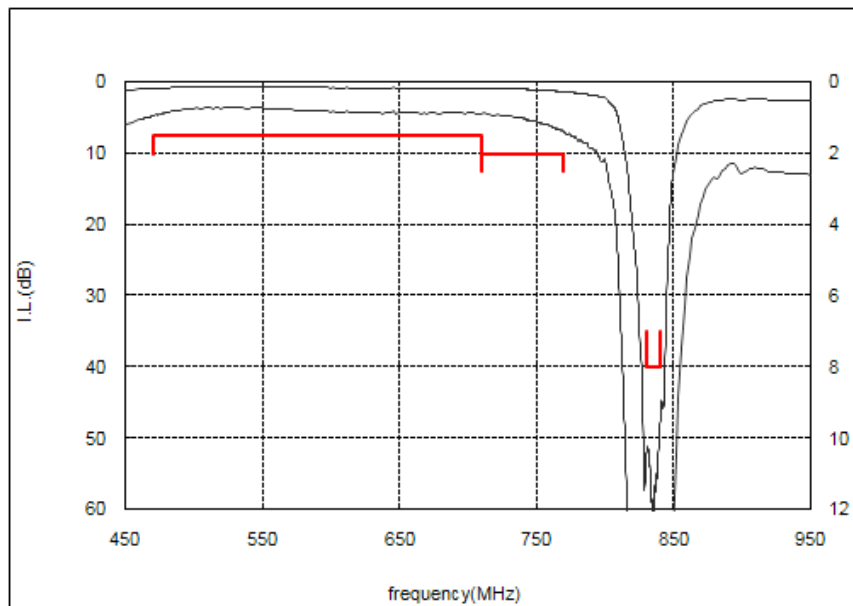
## Specification

Item	Specification		
	-30 to 85°C	25±2°C	typ.
Nominal Center Frequency(fc)	835 MHz		
Absolute Attenuation			
1) 90 to 222 MHz	9 dB min.	10 dB min.	12 dB
2) 470 to 710 MHz	1.5 dB max.	1.3 dB max.	0.9 dB
3) 710 to 770 MHz	2 dB max.	1.6 dB max.	1.2 dB
4) 830 to 840 MHz	40 dB min.	45 dB min.	50 dB
5) 1427.9 to 1452.9 MHz	13 dB min.	15 dB min.	20 dB
6) 1749.9 to 1784.9 MHz	26 dB min.	28 dB min.	33 dB
7) 1920 to 1980 MHz	31 dB min.	33 dB min.	37 dB
Unbalance Port Matching Impedance (nominal)	50Ω		
Input Signal Level	251mW (+24dBm), 50000 hours		

# SAW REJECTION FILTER FOR ISDB-T (1seg )

Murata part number : SAEEA835MBA0F00

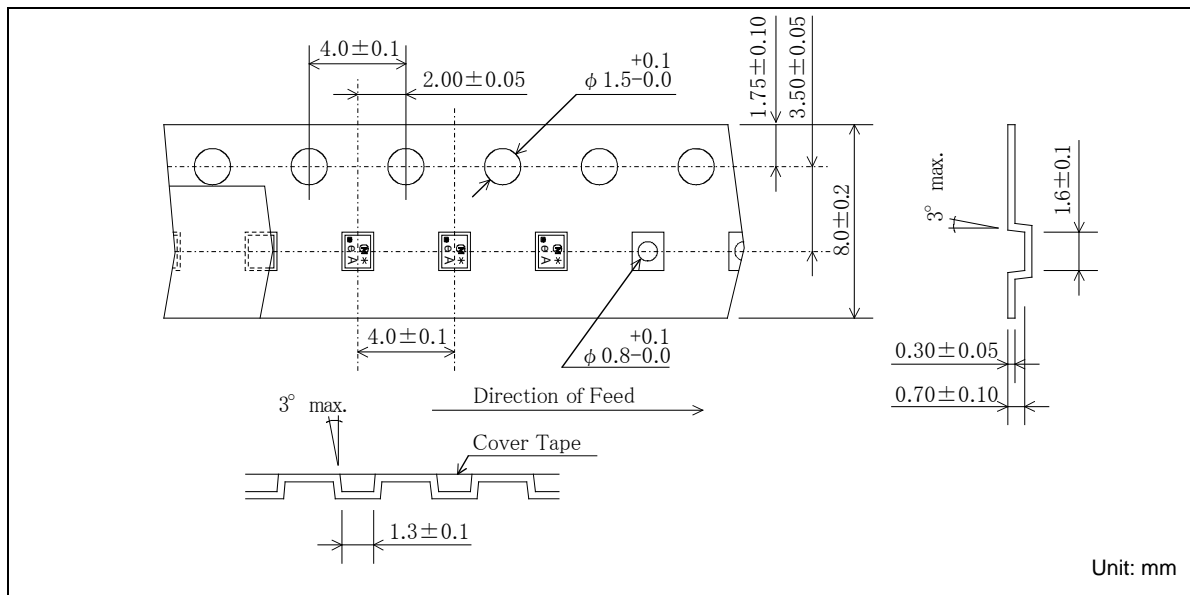
## Frequency Performance



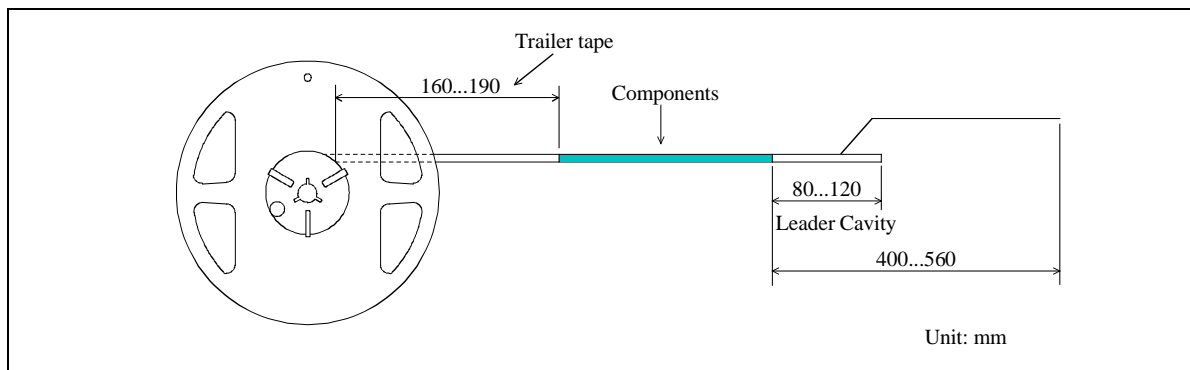
# SAW REJECTION FILTER FOR ISDB-T (1seg)

Murata part number : SAEEA835MBA0F00

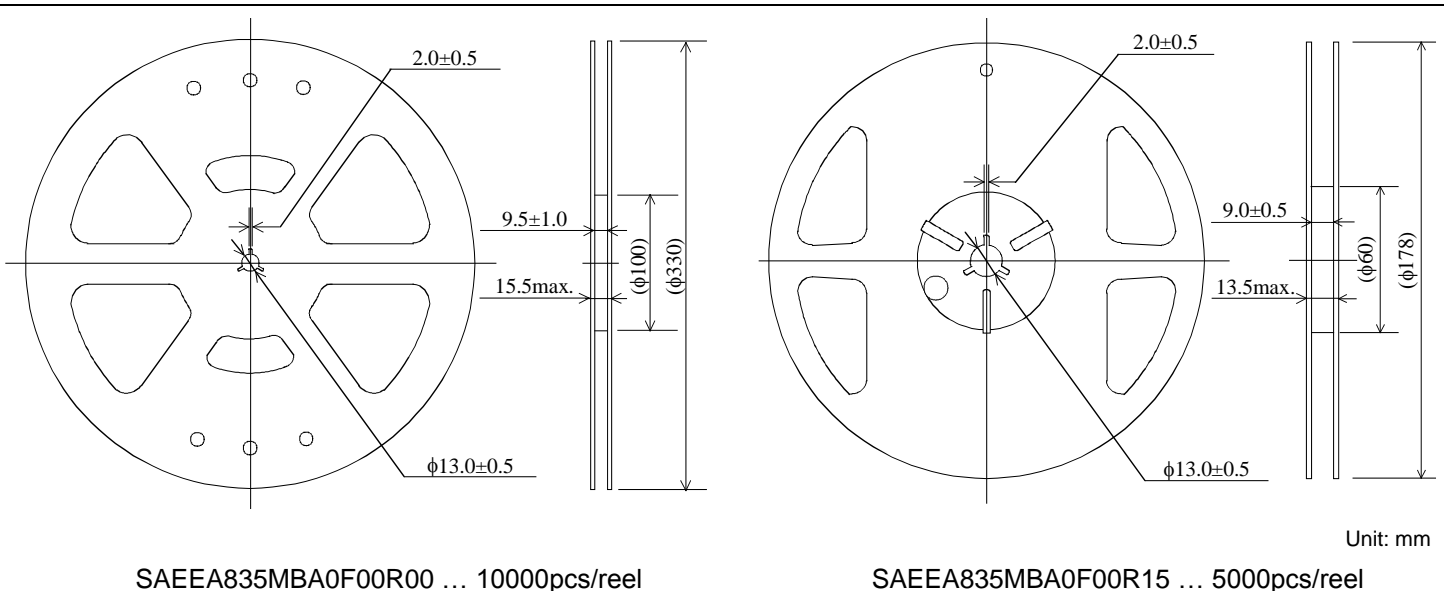
## Dimensions of Carrier Tape



## Dimensions of Tape



## Dimensions of Reel



SAEEA835MBA0F00R00 ... 10000pcs/reel

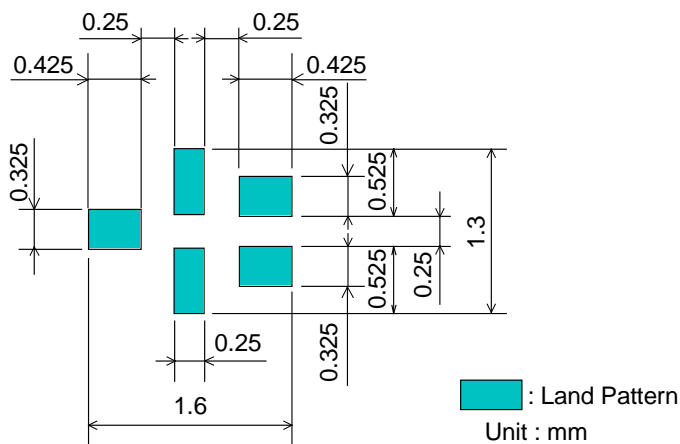
SAEEA835MBA0F00R15 ... 5000pcs/reel

# SAW REJECTION FILTER FOR ISDB-T (1seg)

Murata part number : SAEEA835MBA0F00

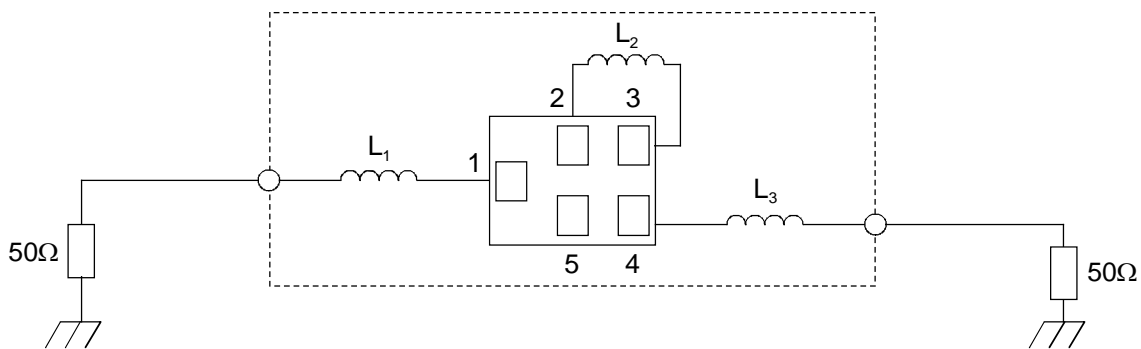
## Recommended Land Pattern

Top View



## Test Circuit

Bottom View



L1: 18nH(LQW15AN18NG00, muRata)  
L2: 18nH(LQW15AN18NG00, muRata)  
L3: 15nH(LQW15AN15NG00, muRata)

# SAW REJECTION FILTER FOR ISDB-T (1seg )

Murata part number : SAEEA835MBA0F00

## ■ RoHS Compliance

This component is compliant with RoHS directive.

This component was always RoHS compliant from the first date of manufacture.

### • Caution - Limitation of Applications

This product is intended for the following applications only; however, please do not use this product in these applications where defects might directly cause damage to a third party's life, body or property.

- a. Mobile Telephone
- b. Cordless phone (except for Automotive use)
- c. PC (Including Notebook PC, Netbook PC, Tablet)
- d. Game
- e. Camera (except for Business/security use)
- f. Set Top Box
- g. Electronic dictionary
- h. Digital audio equipment

• This catalog is for reference only and not an official product specification document, therefore, please review and approve our official product specification before ordering this product.