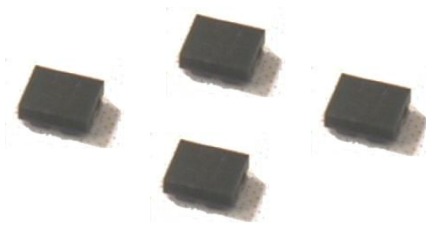




# Data Sheet of SAW Components



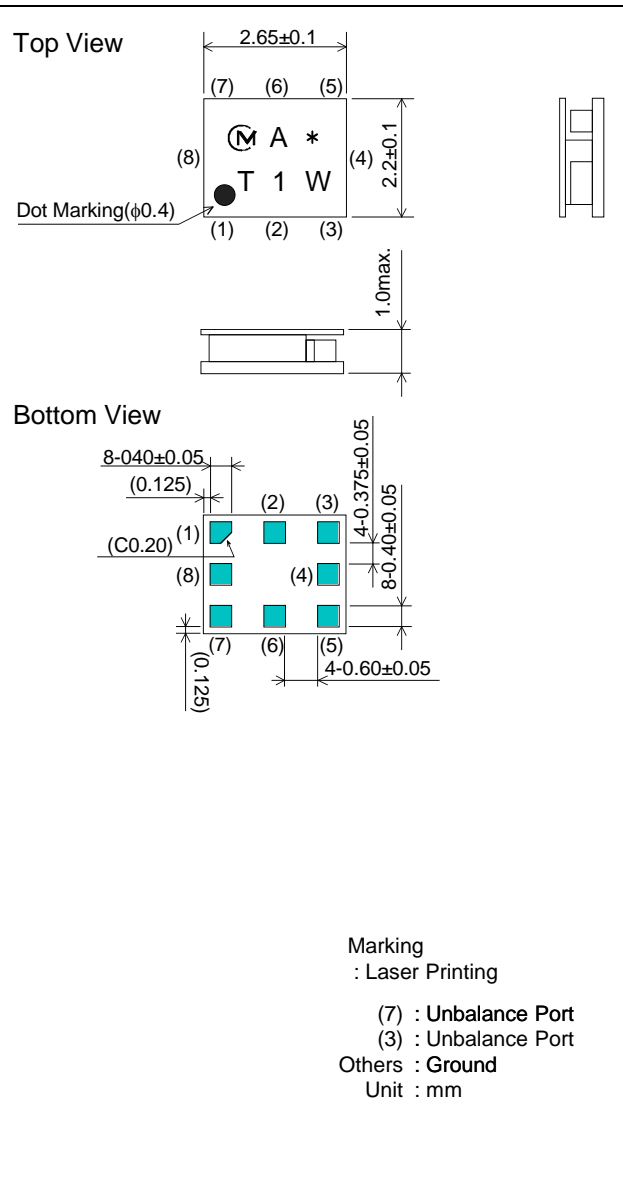
Note : Murata SAW Component is applicable for Cellular /Cordless phone (Terminal) relevant market only.

Please also read caution at the end of this document.

# SAW REJECTION FILTER FOR ISDB-T (1seg)

Murata part number : SAEHD832MWA0B00

## Package Dimensions



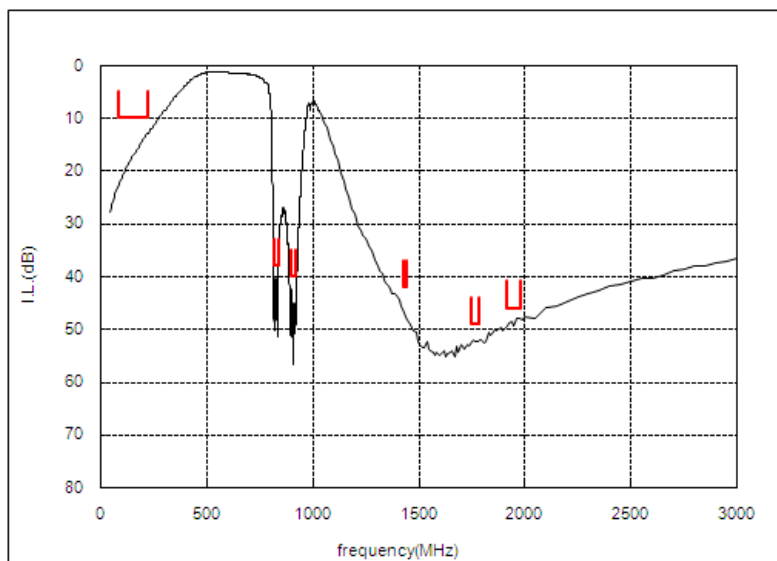
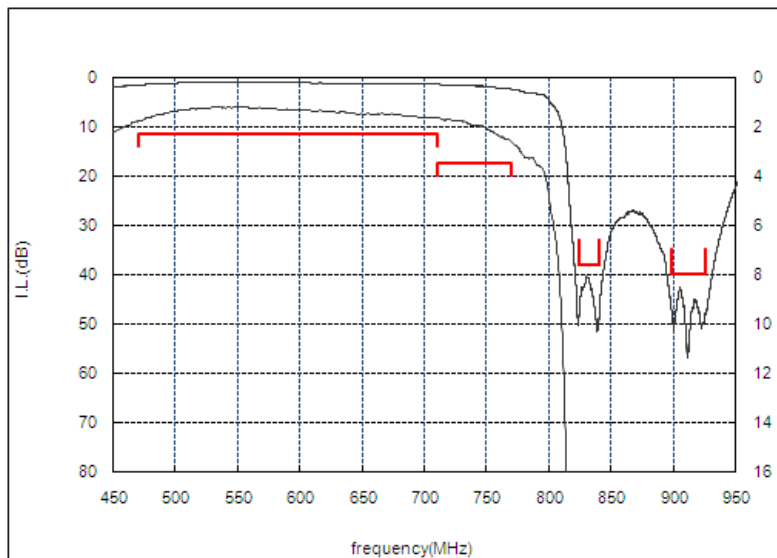
## Specification

Item	Specification		
	-30 to 85°C	25±2°C	typ.
Nominal Center Frequency(fc)	832MHz 911.5 MHz		
Insertion Loss			
1) 90 to 222 MHz	10 dB min.	11 dB min.	13.1 dB
2) 470 to 710 MHz	2.3 dB max.	2 dB max.	1.75 dB
3) 710 to 770 MHz	3.5 dB max.	3 dB max.	2.82 dB
4) 824 to 840 MHz	38 dB min.	40 dB min.	42.0 dB
5) 898 to 925 MHz	40 dB min.	41 dB min.	43.5 dB
6) 1427.9 to 1447.9 MHz	42 dB min.	43 dB min.	48.5 dB
7) 1749.9 to 1784.9 MHz	49 dB min.	50 dB min.	58.1 dB
8) 1920 to 1980 MHz	46 dB min.	47 dB min.	53.2 dB
Unbalance Port Impedance (nominal)	50Ω		
Input Signal Level	251mW(+24dBm), 50000hours		

# SAW REJECTION FILTER FOR ISDB-T (1seg )

Murata part number : SAEHD832MWA0B00

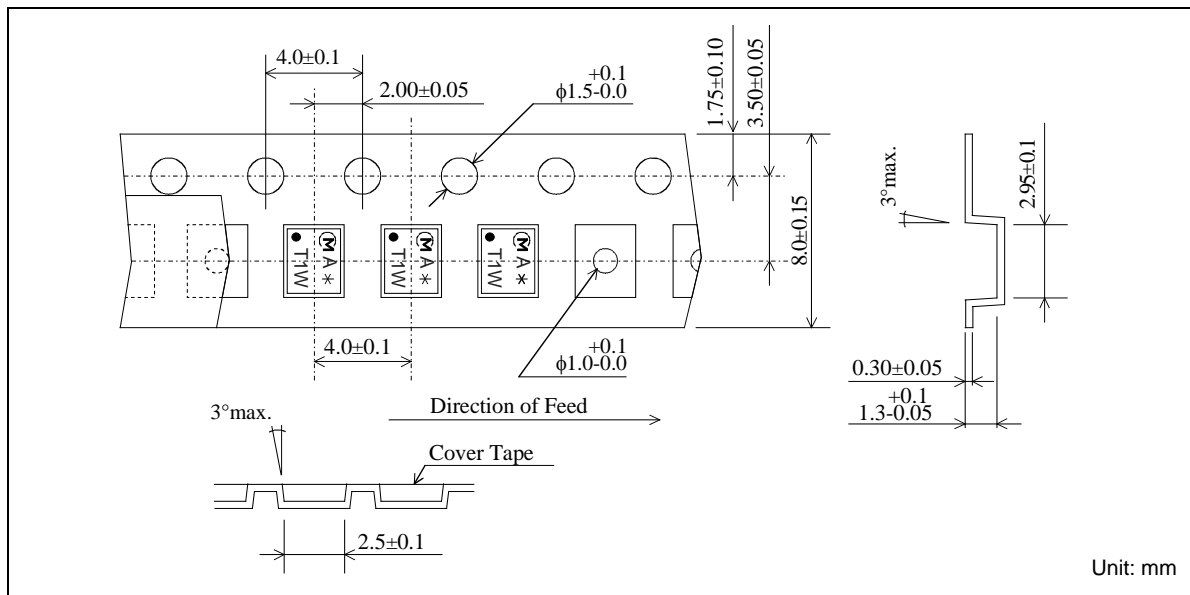
## Frequency Performance



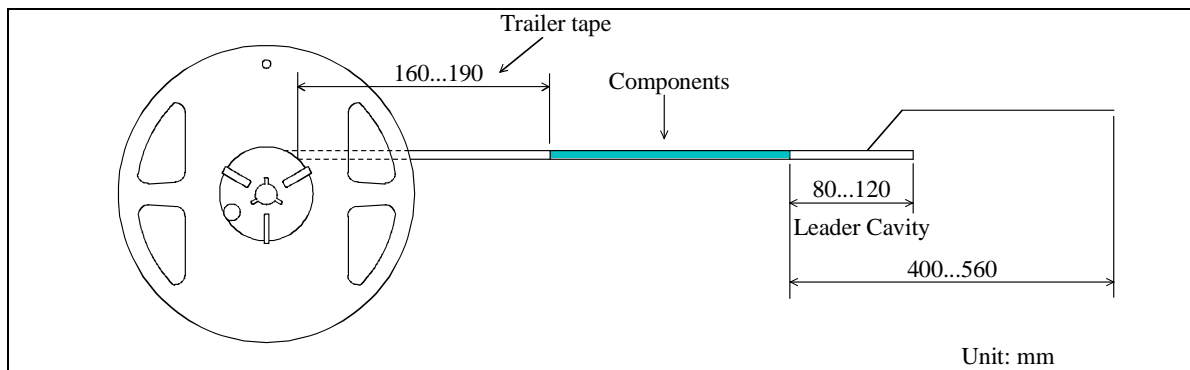
# SAW REJECTION FILTER FOR ISDB-T (1seg)

Murata part number : SAEHD832MWA0B00

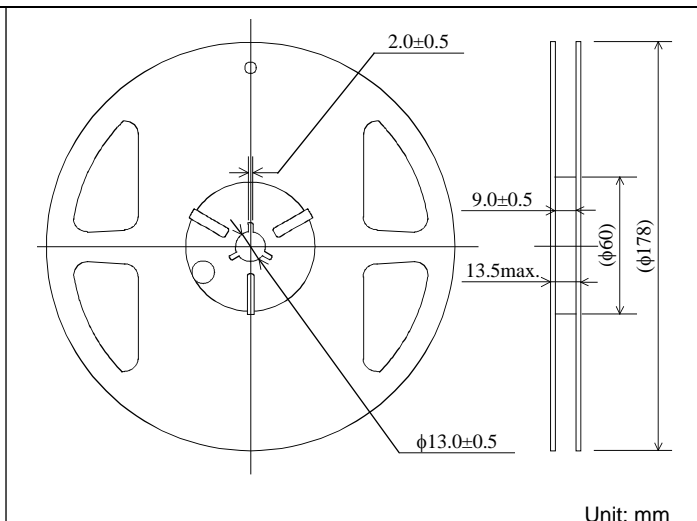
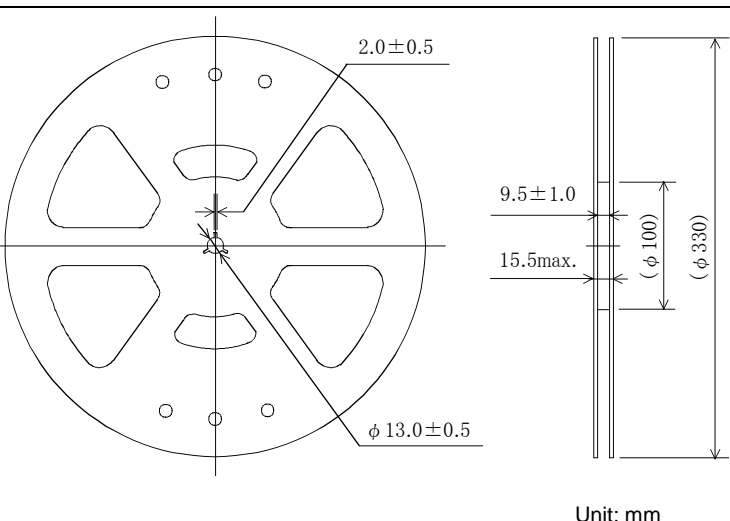
## Dimensions of Carrier Tape



## Dimensions of Tape



## Dimensions of Reel



SAEHD832MWA0B00R05 ... 5000pcs/reel  
SAEHD832MWA0B00R00 ... 10000pcs/reel

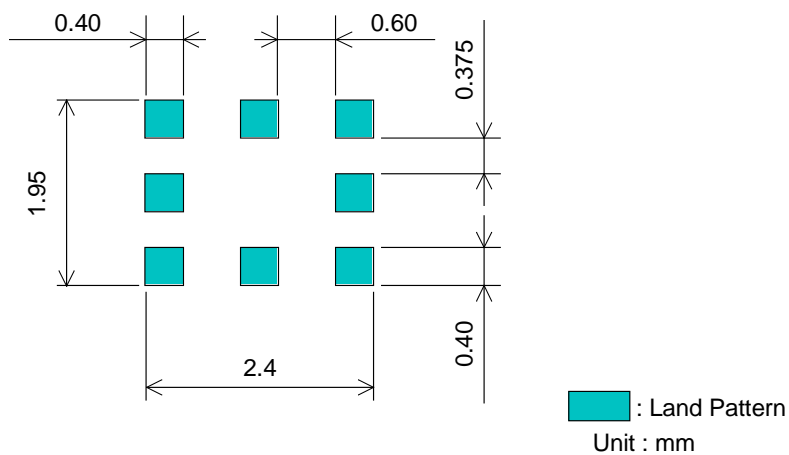
SAEHD832MWA0B00R12 ... 2000pcs/reel

# SAW REJECTION FILTER FOR ISDB-T (1seg)

Murata part number : SAEHD832MWA0B00

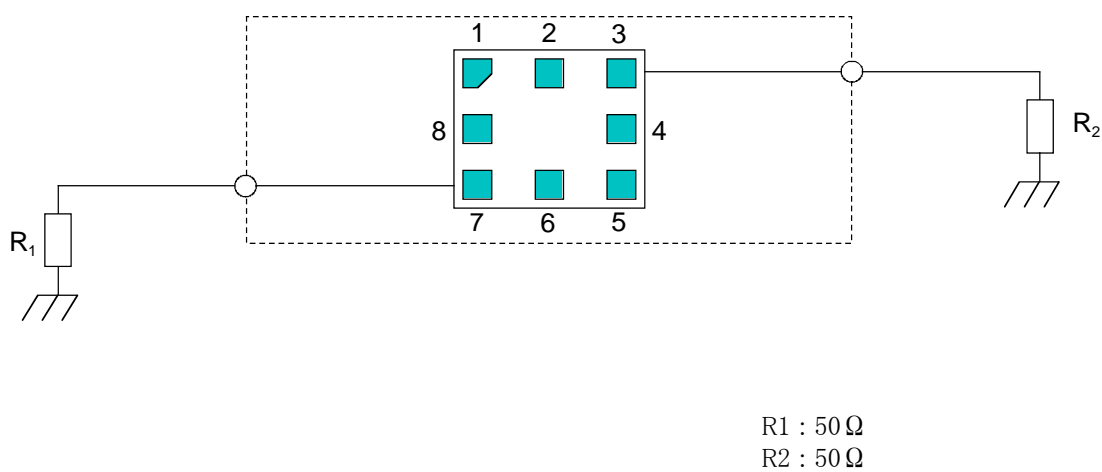
## Recommended Land Pattern

Top View



## Test Circuit

Bottom View



# SAW REJECTION FILTER FOR ISDB-T (1seg )

Murata part number : SAEHD832MWA0B00

## ■ RoHS Compliance

This component is compliant with RoHS directive.

This component was always RoHS compliant from the first date of manufacture.

### • Caution - Limitation of Applications

Please contact us before using our products for the applications listed below which require especially for the prevention of defects which might directly cause damage to the third party's life, body or property.

- a. Aircraft equipment
- b. Aerospace equipment
- c. Undersea equipment
- d. Nuclear control equipment
- e. Medical equipment
- f. Transportation equipment (vehicles, trains, ships, etc.)
- g. Traffic signal equipment
- h. Disaster prevention / crime prevention equipment
- i. Data - processing equipment
- j. Application of similar complexity and / or reliability requirements to the applications listed in the above
- k. Automotive Electronics & Automotive Equipment

- This PDF Datasheet is downloaded from the website of Murata Manufacturing Co., Ltd. Therefore, it's specifications are subject to change or our products in it may be discontinued without advance notice. Please check with our sales representatives or product engineers before ordering.

- This PDF Datasheet has only typical specifications because there is no space for detailed specifications. Therefore, please approve our product specifications or transact the approval sheet for product specifications before ordering.