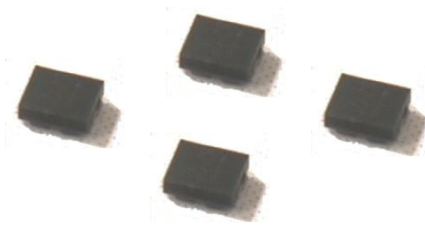




Data Sheet of SAW Components



Note : Murata SAW Component is applicable for Cellular /Cordless phone (Terminal) relevant market only.

Please also read caution at the end of this document.

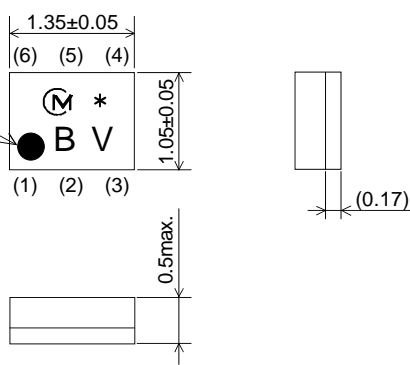
SAW FILTER FOR ISDB-T (1seg au)

Murata part number : SAEEL832MVA0F00

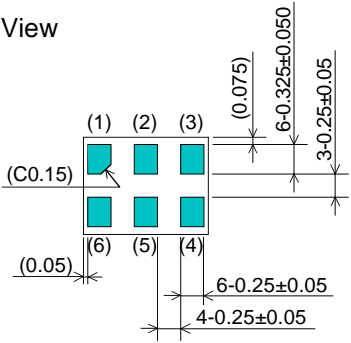
Package Dimensions

Top View

Dot Marking(φ0.3)



Bottom View



Marking
: Laser Printing

- (6) : Unbalance Port
- (3) : Unbalance Port
- (1)(4) : Ground
- (6)(5) : Connected to coil
- (3)(2) : Connected to coil
- Unit : mm

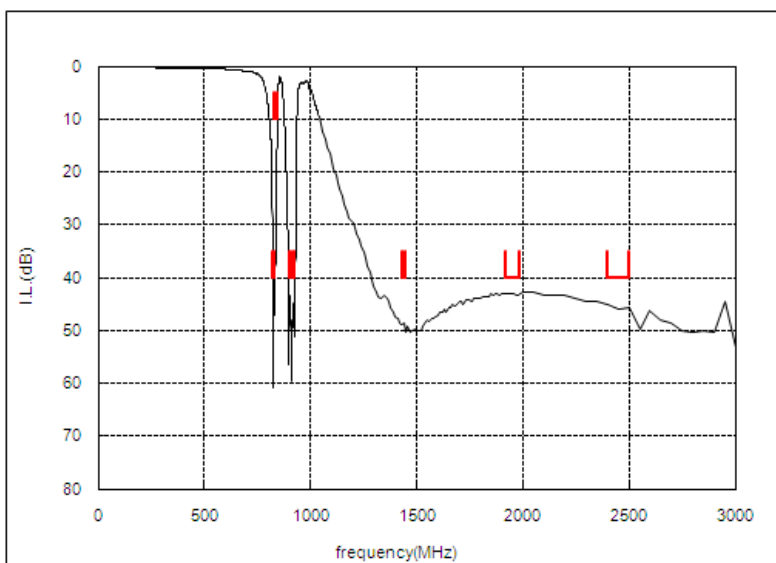
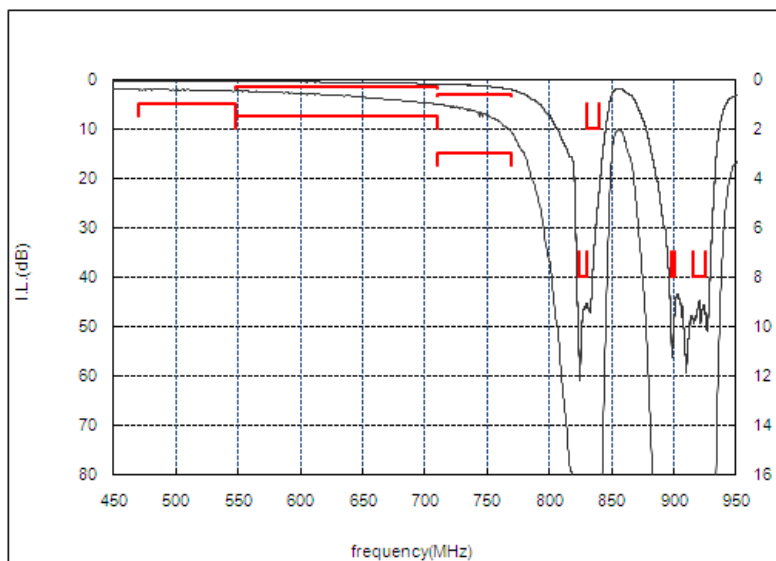
Specification

Item	Specification		
	-30 to 85°C	25±2°C	typ.
Nominal Center Frequency(fc)	832/911.5MHz		
Insertion Loss			
1) 90 to 222 MHz	1.0 dB max.	0.7 dB max.	0.3 dB
2) 470 to 548 MHz	1.0 dB max.	0.8 dB max.	0.5 dB
3) 548 to 710 MHz	1.5 dB max.	1.3 dB max.	1.0 dB
4) 710 to 770 MHz	3.0 dB max.	2.4 dB max.	2.1 dB
5) 824 to 830 MHz	40 dB min.	42 dB min.	48 dB
6) 830 to 840 MHz	10 dB min.	13 dB min.	22 dB
7) 898 to 901 MHz	40 dB min.	42 dB min.	46 dB
8) 915 to 925 MHz	40 dB min.	42 dB min.	46 dB
9) 1427.9 to 1447.9 MHz	40 dB min.	40 dB min.	48 dB
10) 1920 to 1980 MHz	40 dB min.	40 dB min.	42 dB
11) 2400 to 2500 MHz	40 dB min.	40 dB min.	45 dB
VSWR			
Port(6)			
1) 470 to 710 MHz	2.0 dB max.	1.7 dB max.	1.3
2) 710 to 770 MHz	2.2 dB max.	1.9 dB max.	1.5
Port(3)			
3) 470 to 710 MHz	2.0 dB max.	1.7 dB max.	1.4
4) 710 to 770 MHz	2.2 dB max.	1.9 dB max.	1.7
Unbalance Port Impedance (nominal)	50Ω		
Input Signal Level	Input terminal : Terminal Number (6)		
470 to 770 MHz	CW	10mW (+10dBm), 50000 hours(85°C)	
824 to 830 MHz	N-CDMA modulation	158.5mW (+22dBm), 50000 hours(85°C)	
898 to 901 MHz	N-CDMA modulation	158.5mW (+22dBm), 50000 hours(85°C)	
915 to 925 MHz	N-CDMA modulation	158.5mW (+22dBm), 50000 hours(85°C)	
1427.9 to 1447.9 MHz	N-CDMA modulation	158.5mW (+22dBm), 50000 hours(85°C)	
1920 to 1980 MHz	N-CDMA modulation	158.5mW (+22dBm), 50000 hours(85°C)	
824 to 849 MHz	GSM 2/8duty modulation	501.2mW (+27dBm), 50000 hours(85°C)	
880 to 915 MHz	GSM 2/8duty modulation	501.2mW (+27dBm), 50000 hours(85°C)	
1710 to 1785 MHz	GSM 2/8duty modulation	501.2mW (+27dBm), 50000 hours(85°C)	
1850 to 1910 MHz	GSM 2/8duty modulation	501.2mW (+27dBm), 50000 hours(85°C)	

SAW FILTER FOR ISDB-T (1seg au)

Murata part number : SAEEL832MVA0F00

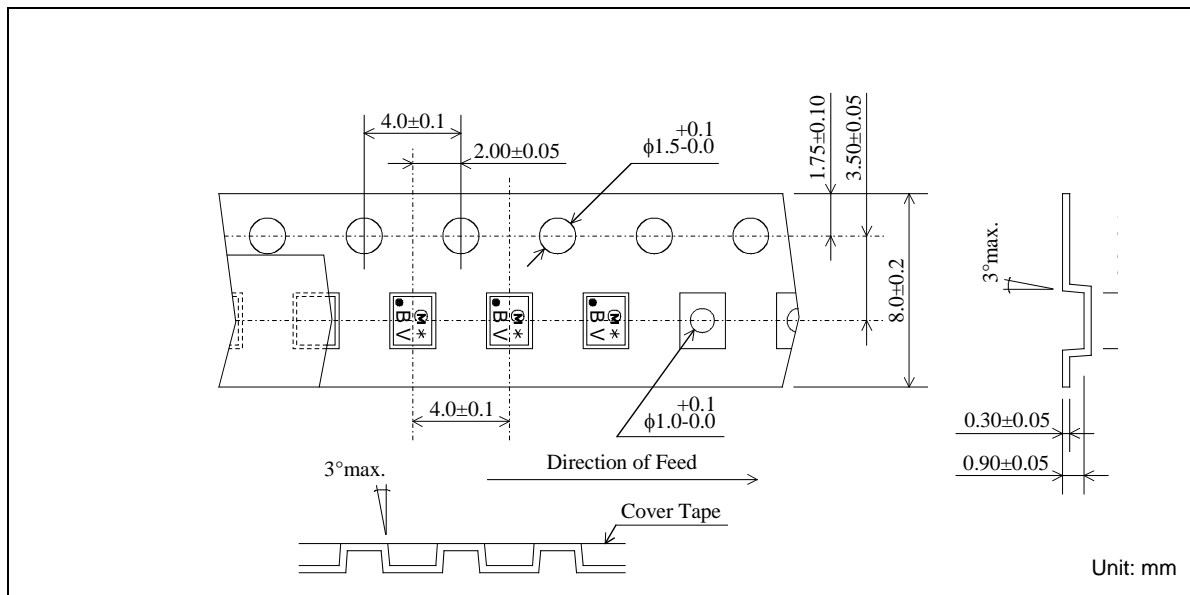
Frequency Performance



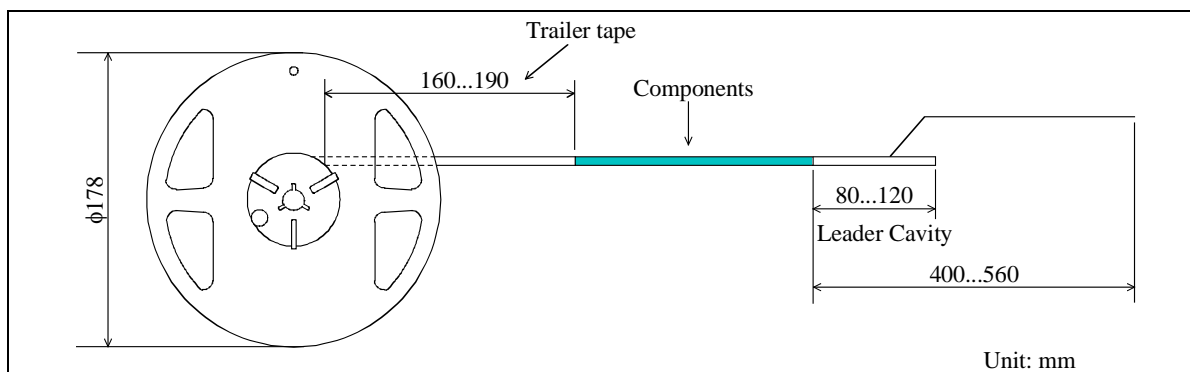
SAW FILTER FOR ISDB-T (1seg au)

Murata part number : SAEEL832MVA0F00

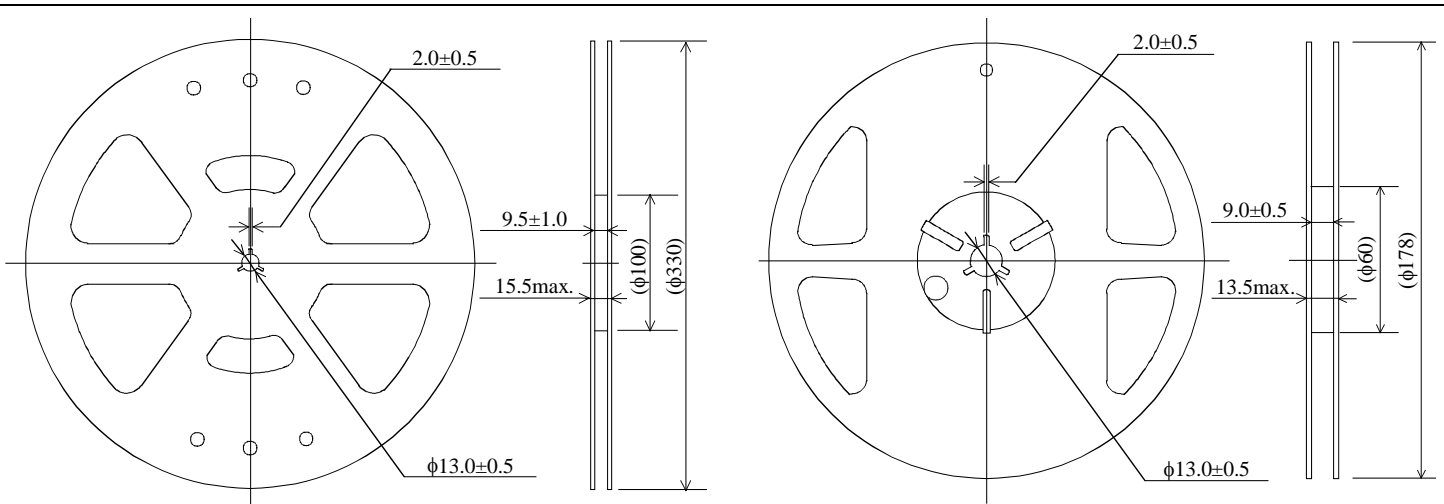
Dimensions of Carrier Tape



Dimensions of Tape



Dimensions of Reel



SAEEL832MVA0F00R00 ... 10000pcs/reel

SAEEL832MVA0F00R15 ... 5000pcs/reel

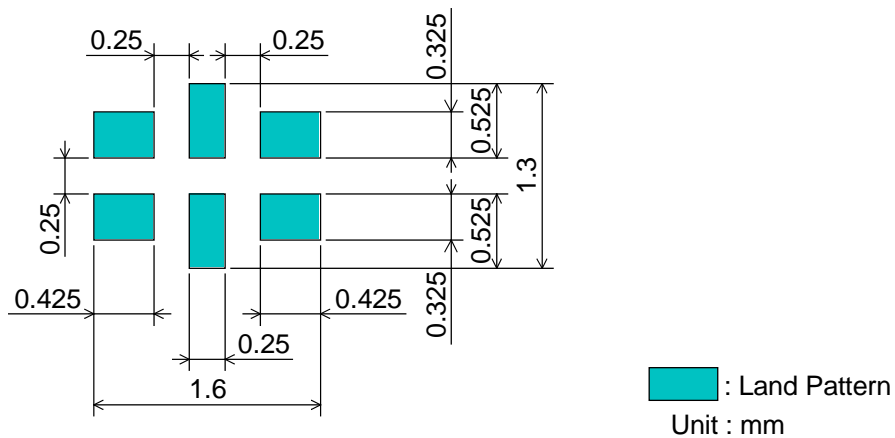
Unit: mm

SAW FILTER FOR ISDB-T (1seg au)

Murata part number : SAEEL832MVA0F00

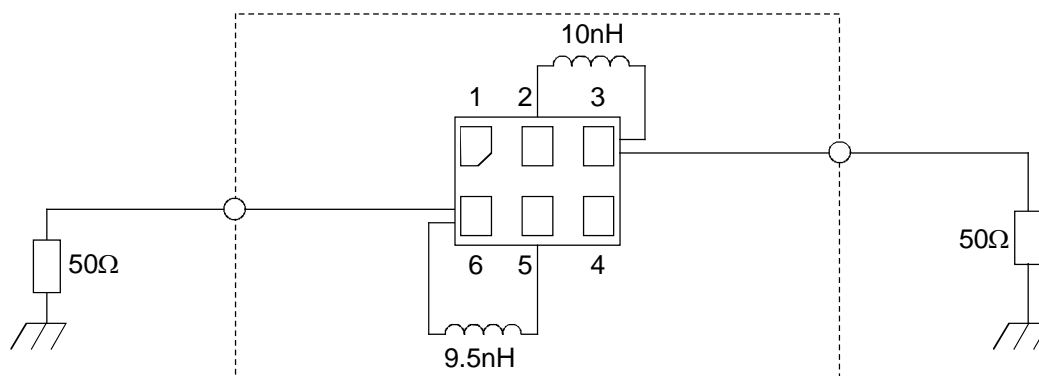
Recommended Land Pattern

Top View



Test Circuit

Bottom View



SAW FILTER FOR ISDB-T (1seg au)

Murata part number : SAEEL832MVA0F00

■ RoHS Compliance

This component is compliant with RoHS directive.

This component was always RoHS compliant from the first date of manufacture.

• Caution - Limitation of Applications

This product is intended for the following applications only; however, please do not use this product in these applications where defects might directly cause damage to a third party's life, body or property.

- a. Mobile Telephone
- b. Cordless phone (except for Automotive use)
- c. PC (Including Notebook PC, Netbook PC, Tablet)
- d. Game
- e. Camera (except for Business/security use)
- f. Set Top Box
- g. Electronic dictionary
- h. Digital audio equipment

• This catalog is for reference only and not an official product specification document, therefore, please review and approve our official product specification before ordering this product.