



# Data Sheet of SAW Components



Note : Murata SAW Component is applicable for Cellular /Cordless phone (Terminal) relevant market only.

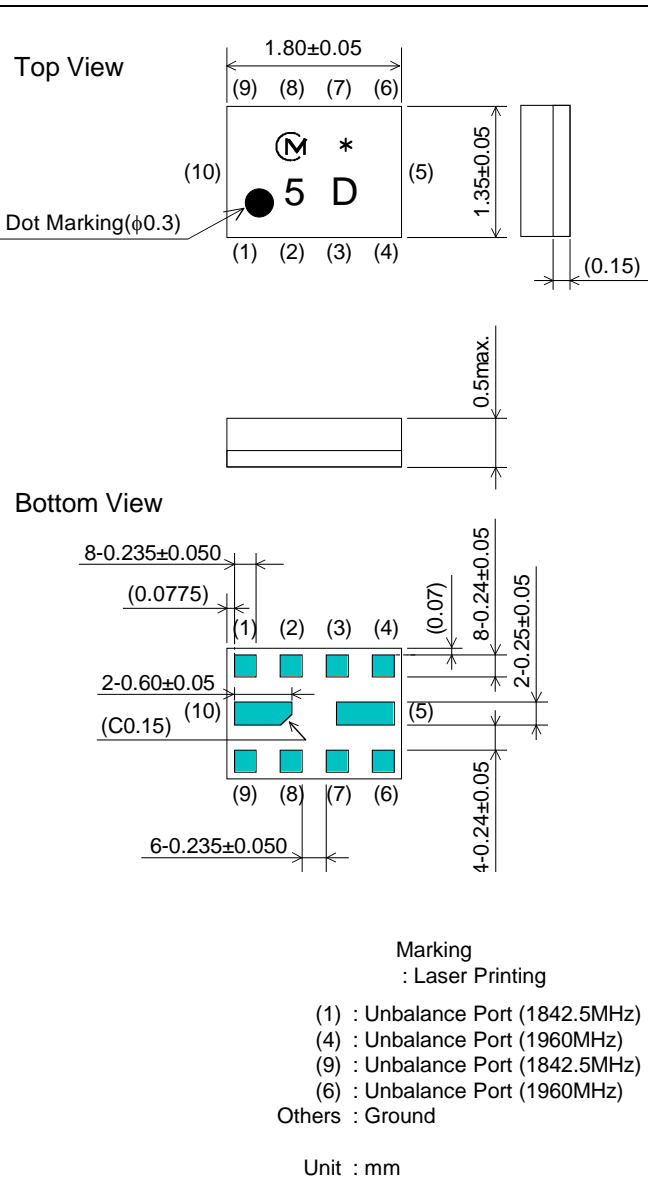
Please also read caution at the end of this document.

# SAW FILTER FOR GSM/UMTS (Rx)

Murata part number : SAWEN1G84BC0F25 (fc=1842.5MHz)

## Package Dimensions

## Specification

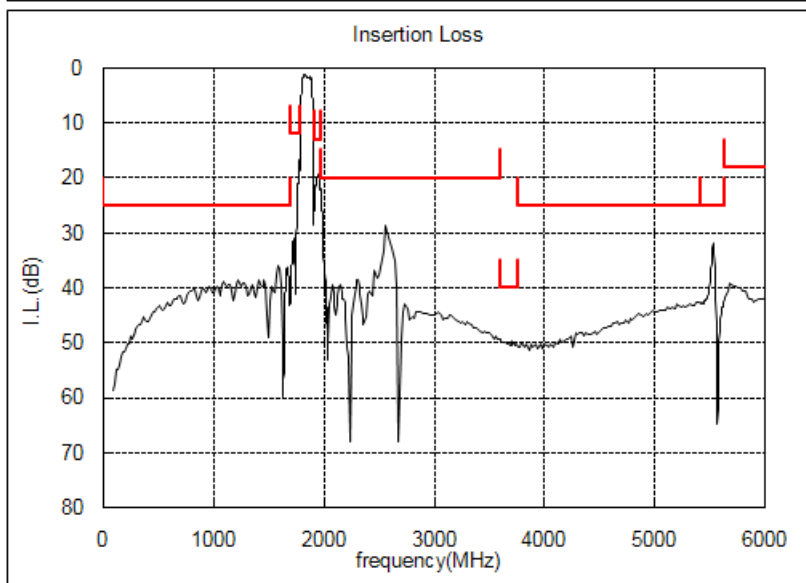


Item	Specification		
	-30 to 85°C	25±2°C	typ.
Nominal Center Frequency(fc)	1842.5MHz		
Insertion Loss (1805 to 1880MHz)	2.6dB max.	2.5dB max.	2.2 dB
Absolute Attenuation			
1) 0.1 to 1705 MHz	25 dB min.	25 dB min.	37 dB
2) 1705 to 1785 MHz	12 dB min.	12 dB min.	17 dB
3) 1920 to 1980 MHz	13 dB min.	13 dB min.	18 dB
4) 1980 to 3610 MHz	20 dB min.	20 dB min.	26 dB
5) 3610 to 3760 MHz	40 dB min.	40 dB min.	53 dB
6) 3760 to 5415 MHz	25 dB min.	25 dB min.	38 dB
7) 5415 to 5640 MHz	25 dB min.	25 dB min.	40 dB
8) 5640 to 12750 MHz	18 dB min.	18 dB min.	24 dB
Ripple Deviation (1805 to 1880MHz)	1.5dB max.	1.4dB max.	0.8 dB
VSWR (1805 to 1880MHz)	2.3 max.	2.2 max.	1.8
Unbalance Port Matching Impedance (nominal)	50Ω		

# SAW FILTER FOR GSM/UMTS (Rx)

Murata part number : SAWEN1G84BC0F25 (fc=1842.5MHz)

## Frequency Performance

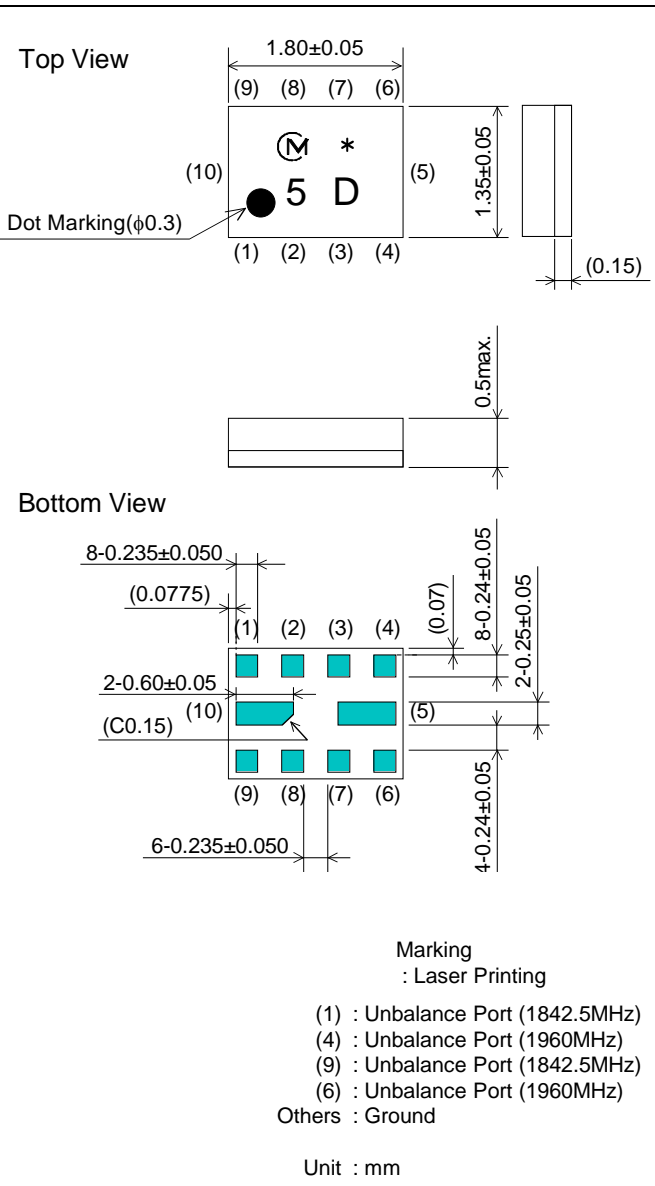


# SAW FILTER FOR GSM/UMTS (Rx)

Murata part number : SAWEN1G84BC0F25 (fc=1960MHz)

## Package Dimensions

## Specification

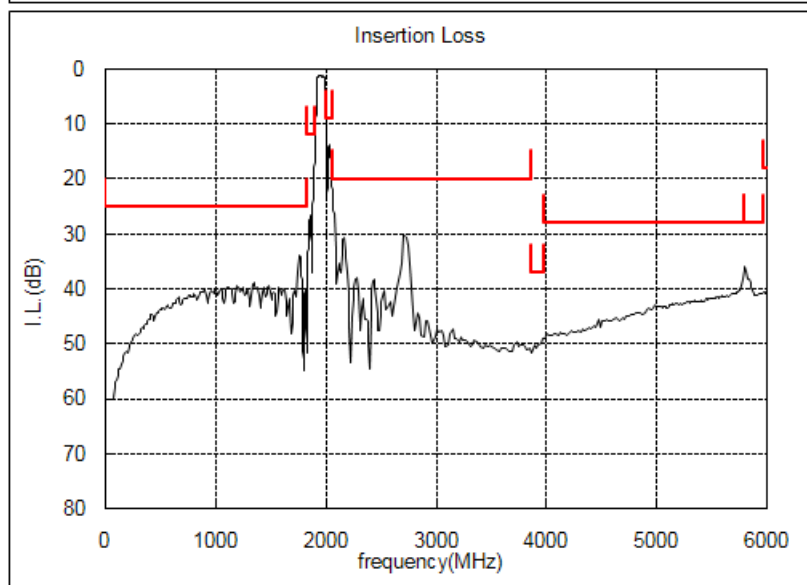
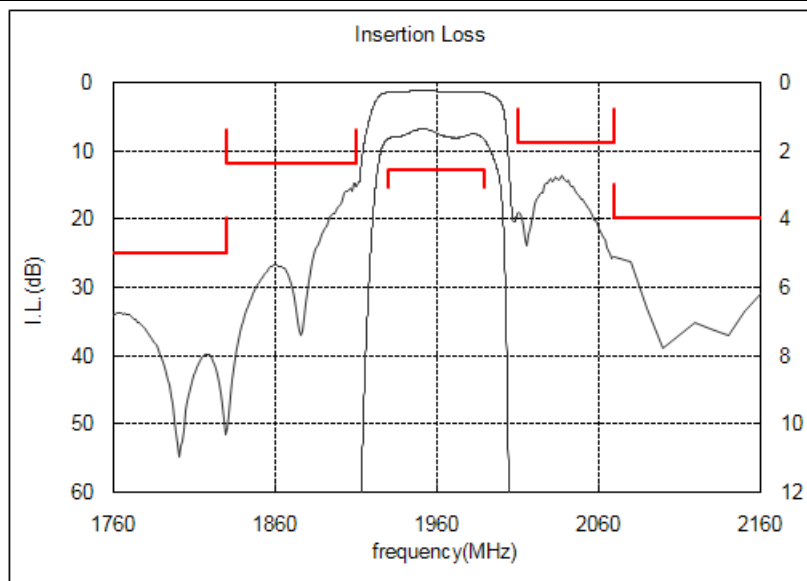


Item	Specification		
	-30 to 85°C	25±2°C	typ.
Nominal Center Frequency(fc)	1960MHz		
Insertion Loss (1930 to 1990MHz)	2.6dB max.	2.4dB max.	1.8 dB
Absolute Attenuation			
1) 0.1 to 1830 MHz	25 dB min.	25 dB min.	34 dB
2) 1830 to 1910 MHz	12 dB min.	12 dB min.	15 dB
3) 2010 to 2070 MHz	9 dB min.	10 dB min.	14 dB
4) 2070 to 3860 MHz	20 dB min.	20 dB min.	27 dB
5) 3860 to 3980 MHz	37 dB min.	37 dB min.	47 dB
6) 3980 to 5790 MHz	28 dB min.	28 dB min.	35 dB
7) 5790 to 5970 MHz	28 dB min.	28 dB min.	37 dB
8) 5970 to 12750 MHz	18 dB min.	18 dB min.	25 dB
Ripple Deviation (1930 to 1990MHz)	1.5dB max.	1.3dB max.	0.5 dB
VSWR (1930 to 1990MHz)	2.1 max.	2.0 max.	1.6
Unbalance Port Matching Impedance (nominal)	50Ω		

# SAW FILTER FOR GSM/UMTS (Rx)

Murata part number : SAWEN1G84BC0F25 (fc=1960MHz)

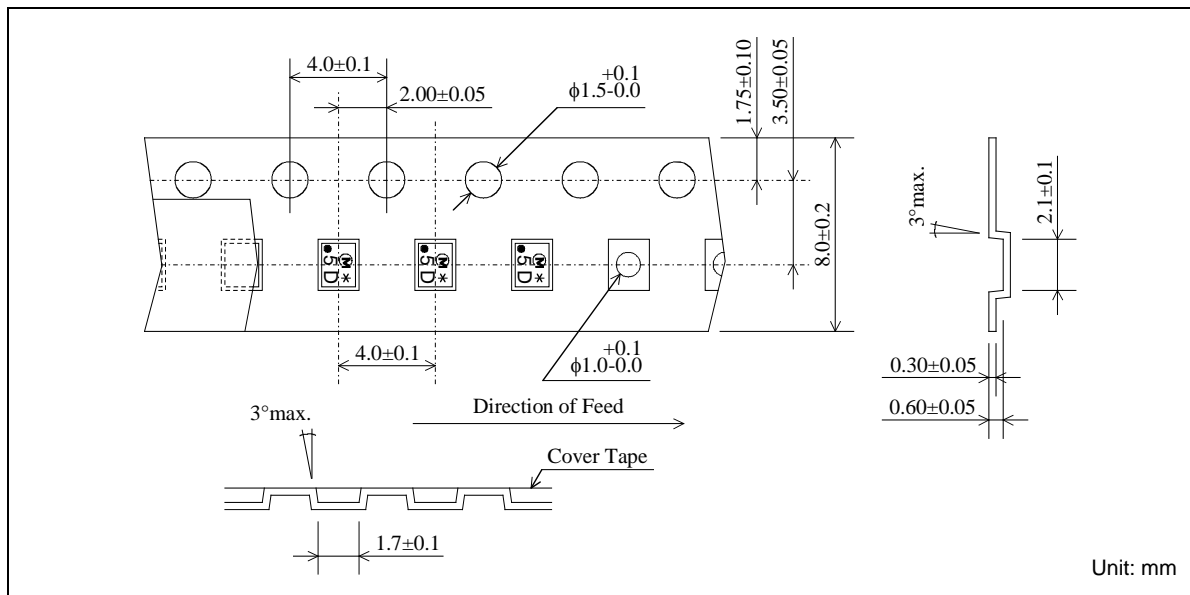
## Frequency Performance



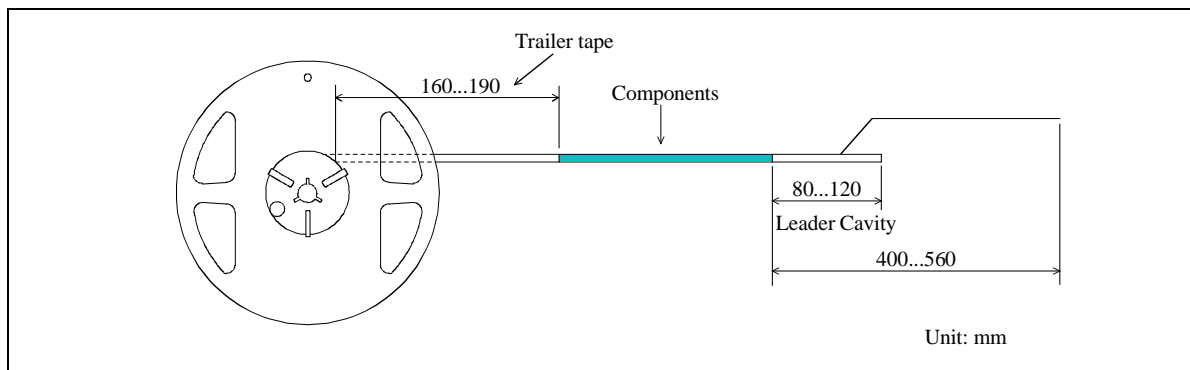
# SAW FILTER FOR GSM/UMTS (Rx)

Murata part number : SAWEN1G84BC0F25

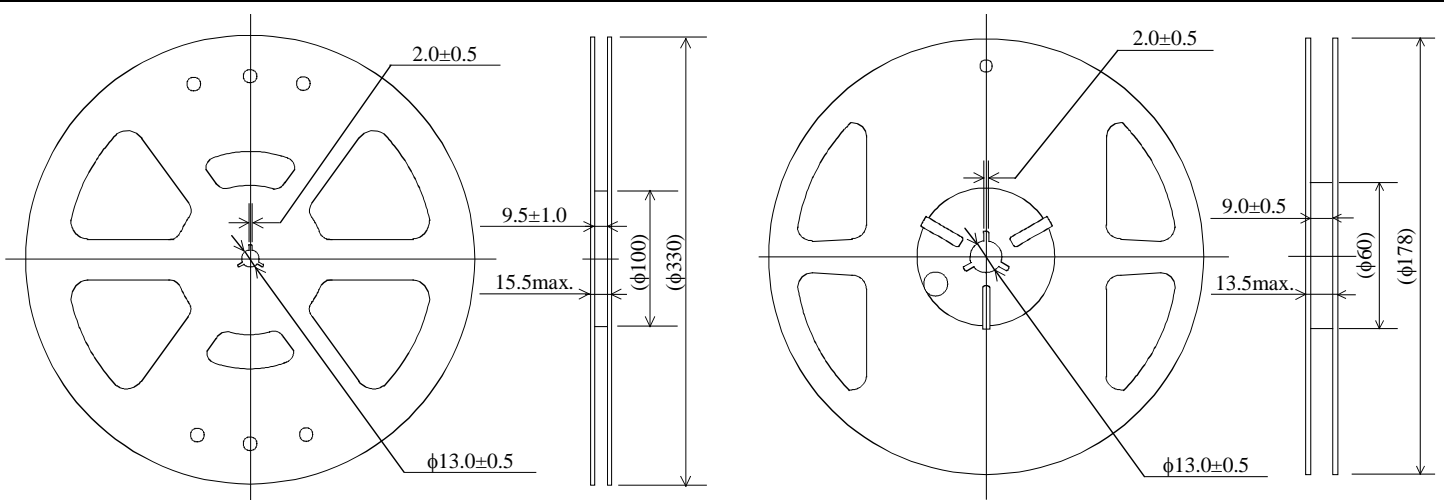
## Dimensions of Carrier Tape



## Dimensions of Tape



## Dimensions of Reel



SAWEN1G84BC0F25R00 ... 10000pcs/reel

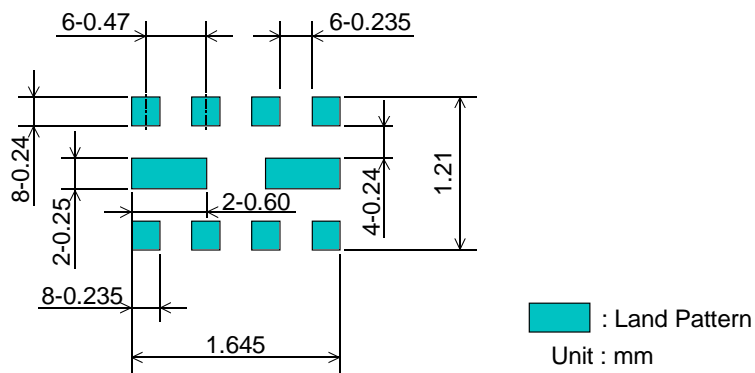
SAWEN1G84BC0F25R15 ... 5000pcs/reel

# SAW FILTER FOR GSM/UMTS (Rx)

Murata part number : SAWEN1G84BC0F25

## Recommended Land Pattern

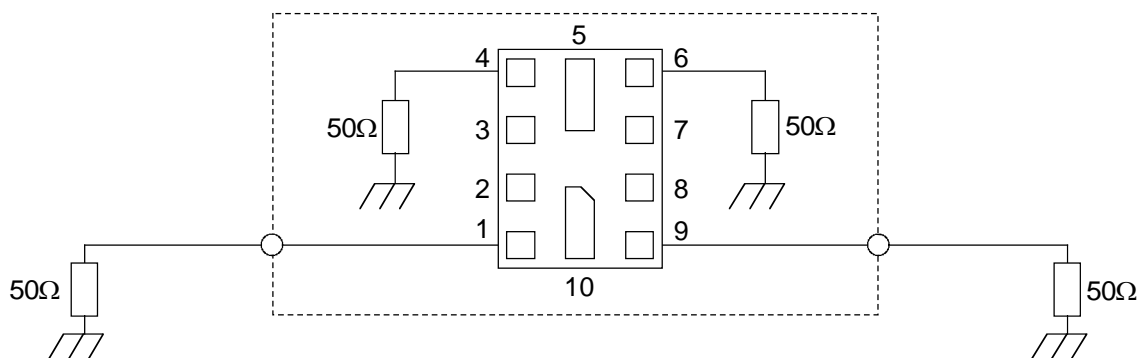
Top View



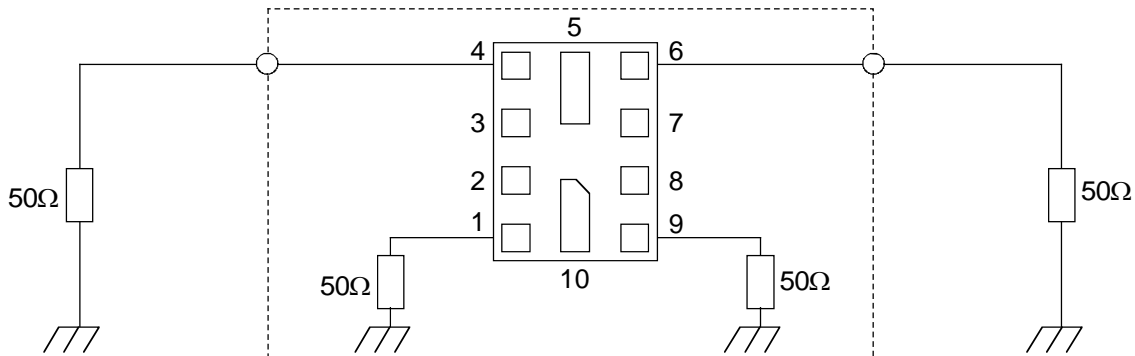
## Test Circuit

Bottom View

1842.5MHz



1960MHz



# SAW FILTER FOR GSM/UMTS (Rx)

Murata part number : SAWEN1G84BC0F25

## ■ RoHS Compliance

This component is compliant with RoHS directive.

This component was always RoHS compliant from the first date of manufacture.

### •Caution - Limitation of Applications

This product is intended for the following applications only; however, please do not use this product in these applications where defects might directly cause damage to a third party's life, body or property.

- a. Mobile Telephone
- b. Cordless phone (except for Automotive use)
- c. PC (Including Notebook PC, Netbook PC, Tablet)
- d. Game
- e. Camera (except for Business/security use)
- f. Set Top Box
- g. Electronic dictionary
- h. Digital audio equipment

•This catalog is for reference only and not an official product specification document, therefore, please review and approve our official product specification before ordering this product.