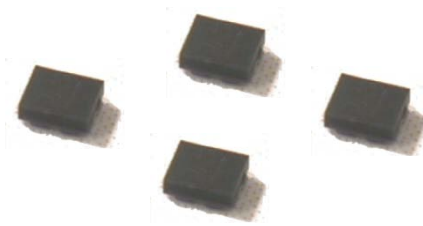




Data Sheet of SAW Components



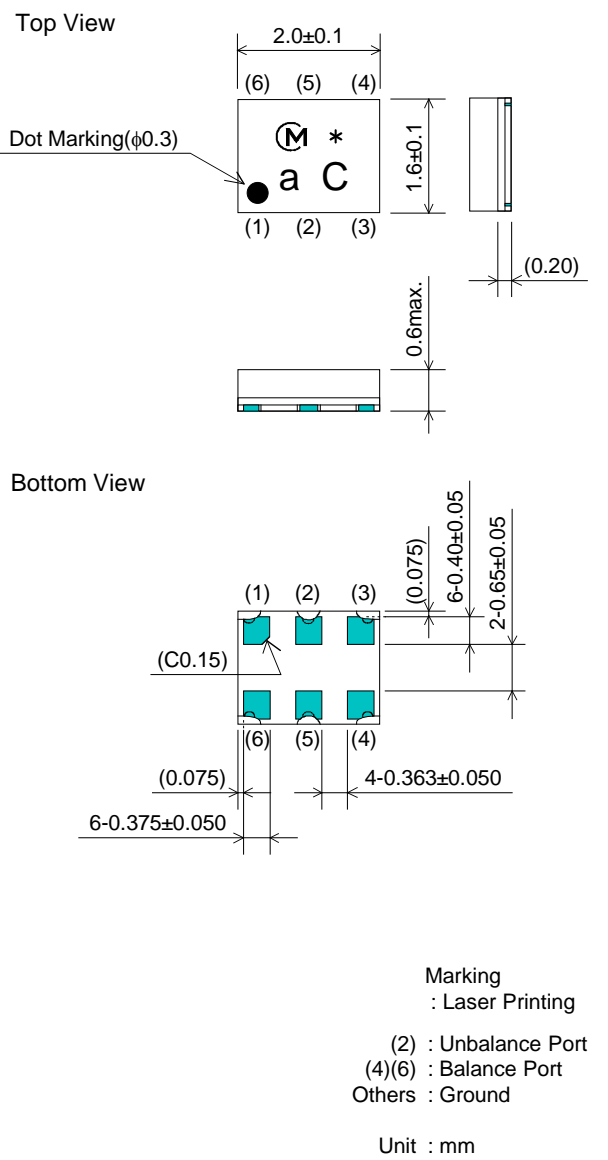
Note : Murata SAW Component is applicable for Cellular /Cordless phone (Terminal) relevant market only.

Please also read caution at the end of this document.

SAW FILTER FOR TD-SCDMA Rx

Murata part number : SAFEH2G01FL0F00

Package Dimensions



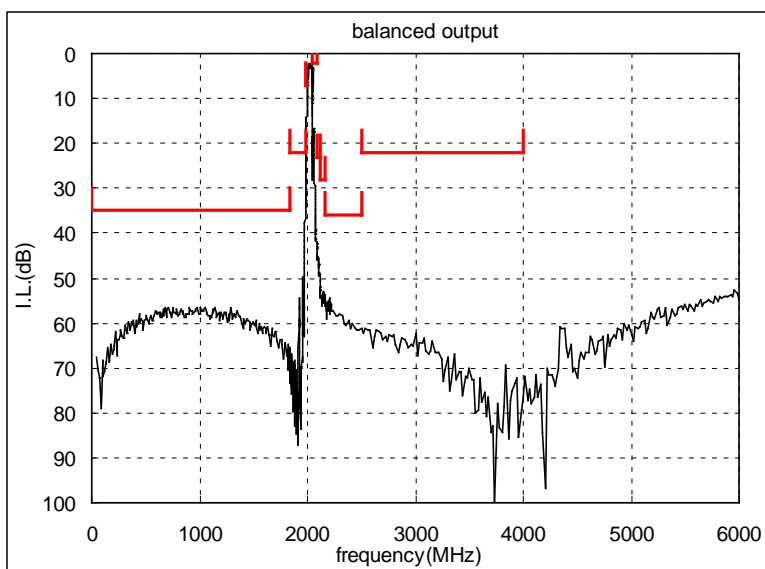
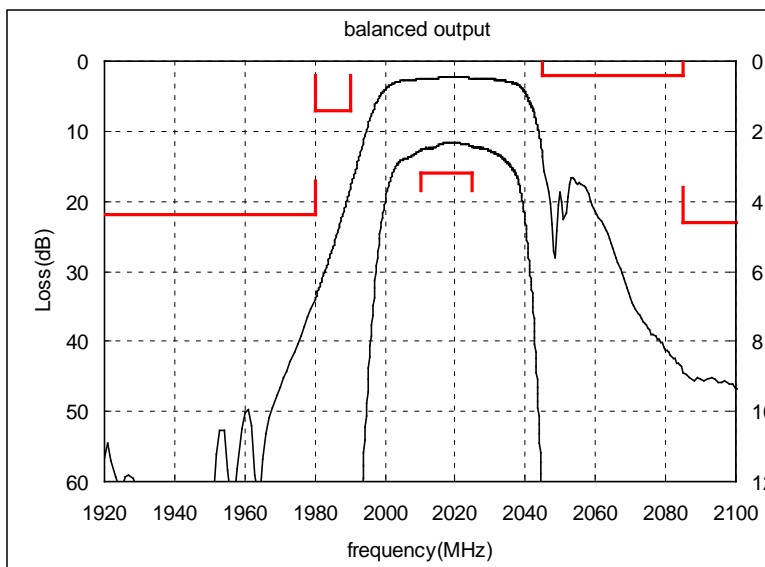
Specification

Item	Specification		
	-30 to 85°C	25±2°C	typ.
Nominal Center Frequency(fc)	2017.5MHz		
Insertion Loss (2010 to 2025MHz)	3.2 dB max.	3.0 dB max.	2.7 dB
Absolute Attenuation			
1) 0.1 to 1840 MHz	35 dB min.	35 dB min.	57 dB
2) 1840 to 1980 MHz	22 dB min.	28 dB min.	34 dB
3) 1980 to 1990 MHz	7 dB min.	12 dB min.	19 dB
4) 2045 to 2085 MHz	2 dB min.	4 dB min.	9 dB
5) 2085 to 2120 MHz	23 dB min.	23 dB min.	43 dB
6) 2120 to 2160 MHz	28 dB min.	28 dB min.	53 dB
7) 2160 to 2500 MHz	36 dB min.	36 dB min.	54 dB
8) 2500 to 4000 MHz	22 dB min.	22 dB min.	58 dB
9) 4000 to 6000 MHz	18 dB min.	18 dB min.	50 dB
Ripple Deviation (2010 to 2025MHz)	1.0dB max.	0.7dB max.	0.3 dB
VSWR (2010 to 2025MHz)	1.8 max.	1.6 max.	1.45
Amplitude Balance (2010 to 2025MHz)	±1.0dB max.	±0.6dB max.	+0.4dB
Phase Balance (2010 to 2025MHz)	180±10deg. max.	180±5deg. max.	180+2deg.
Input Impedance (nominal)	50Ω		
Output Impedance (nominal)	200Ω		
Input Signal Level	20mW (+13dBm), 2000 hours		

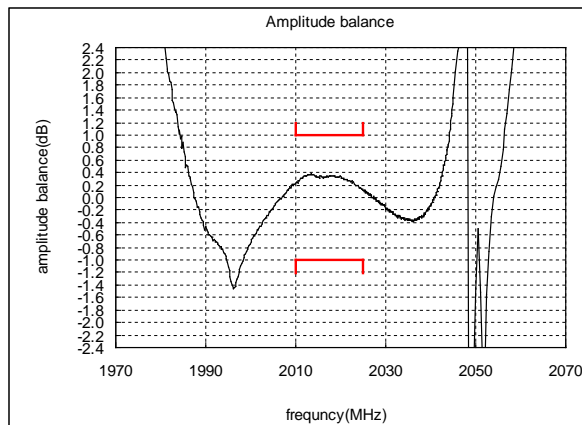
SAW FILTER FOR TD-SCDMA Rx

Murata part number : SAFEH2G01FL0F00

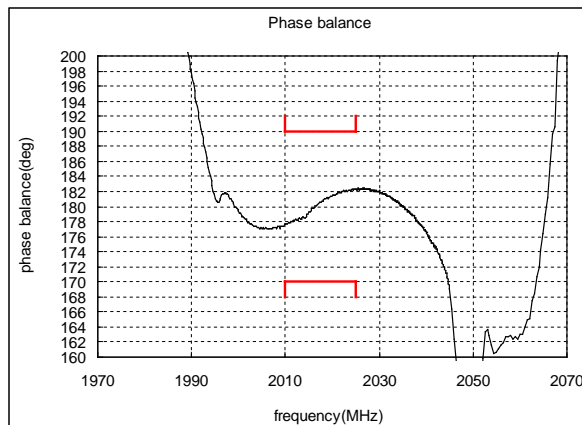
Frequency Performance



Amplitude balance



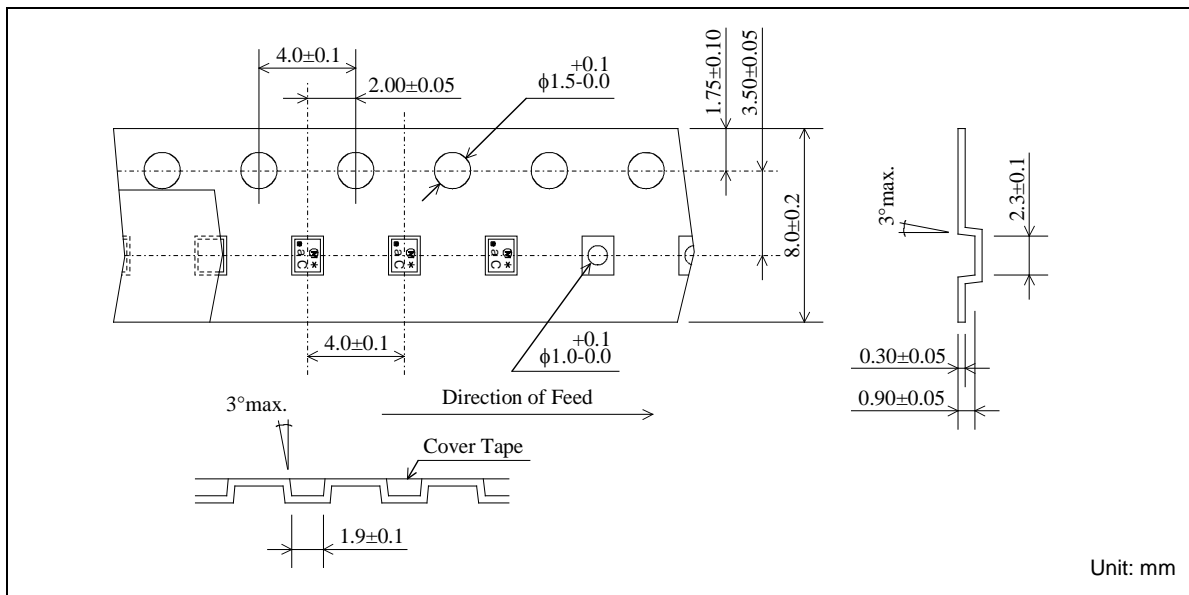
Phase balance



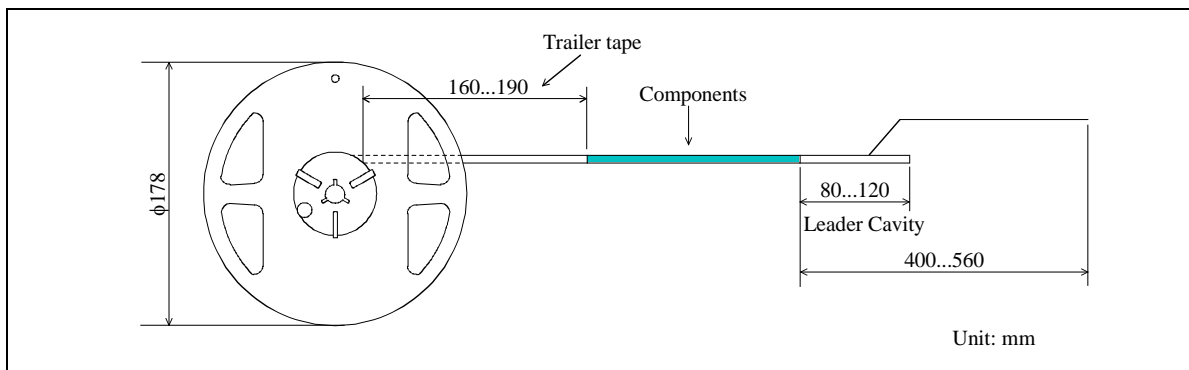
SAW FILTER FOR TD-SCDMA Rx

Murata part number : SAFEH2G01FL0F00

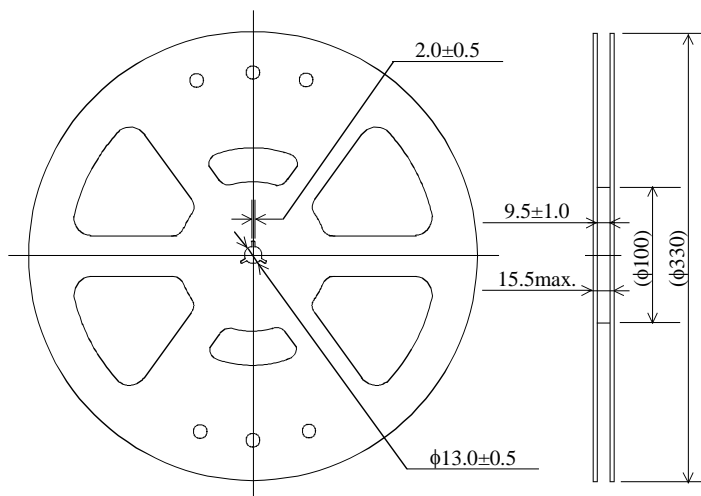
Dimensions of Carrier Tape



Dimensions of Tape



Dimensions of Reel



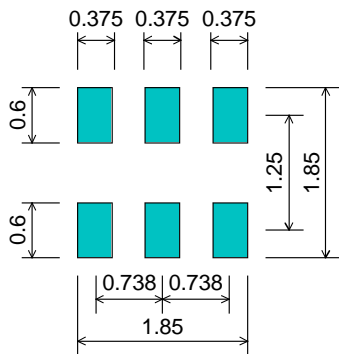
SAFEH2G01FL0F00R00 ... 10000pcs/reel
SAFEH2G01FL0F00R05 ... 5000pcs/reel


SAW FILTER FOR TD-SCDMA Rx

Murata part number : SAFEH2G01FL0F00

Recommended Land Pattern

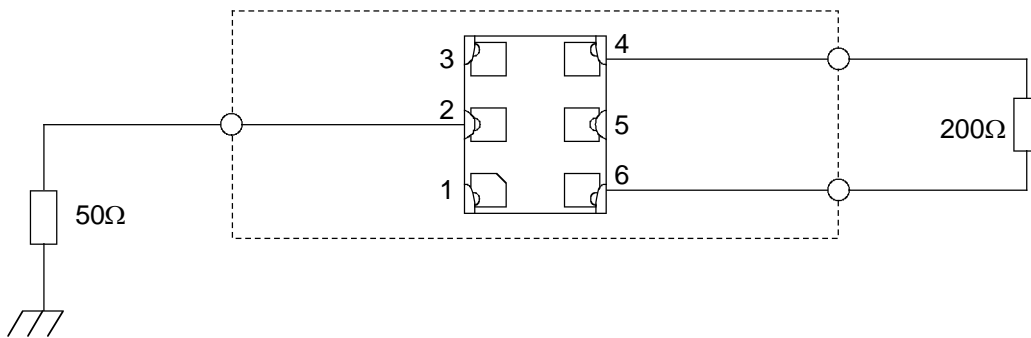
Top View



 : Land Pattern
Unit : mm

Test Circuit

Bottom View



SAW FILTER FOR TD-SCDMA Rx

Murata part number : SAFEH2G01FL0F00

■ RoHS Compliance

This component is compliant with RoHS directive.

This component was always RoHS compliant from the first date of manufacture.

• Caution - Limitation of Applications

This product is intended for the following applications only; however, please do not use this product in these applications where defects might directly cause damage to a third party's life, body or property.

- a. Mobile Telephone
- b. Cordless phone (except for Automotive use)
- c. PC (Including Notebook PC, Netbook PC, Tablet)
- d. Game
- e. Camera (except for Business/security use)
- f. Set Top Box
- g. Electronic dictionary
- h. Digital audio equipment

• This catalog is for reference only and not an official product specification document, therefore, please review and approve our official product specification before ordering this product.