



Data Sheet of SAW Components



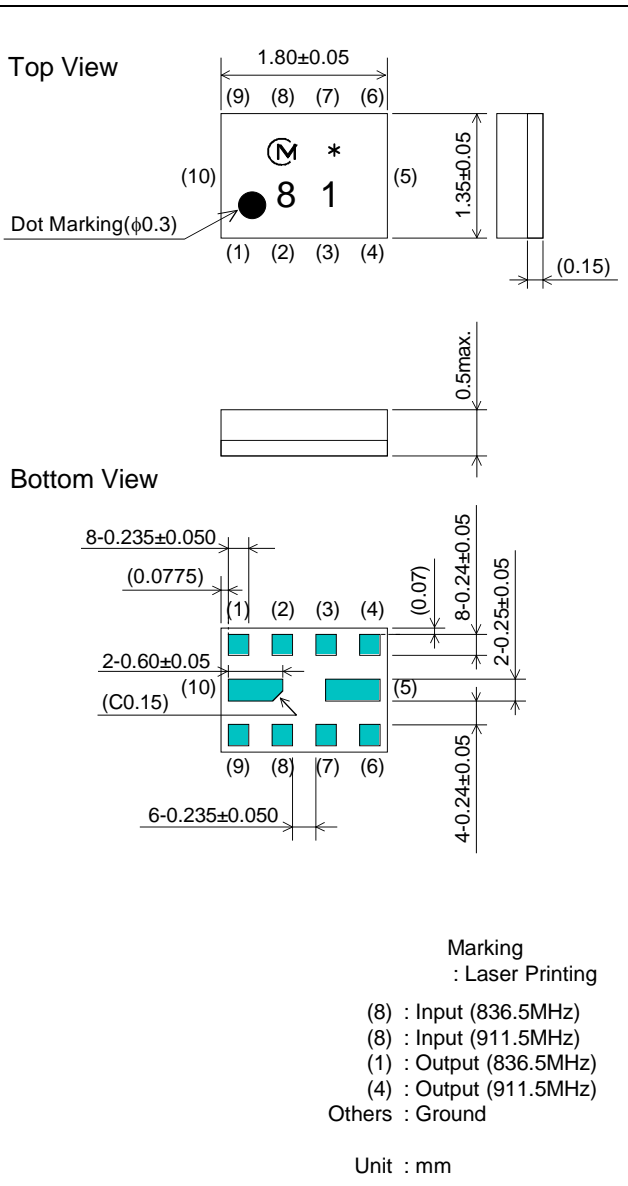
Note : Murata SAW Component is applicable for Cellular /Cordless phone (Terminal) relevant market only.

Please also read caution at the end of this document.

SAW FILTER FOR UMTS BC5/JCDMA Tx

Murata part number :SAWEN836MAA0F00 (fc=836.5MHz)

Package Dimensions



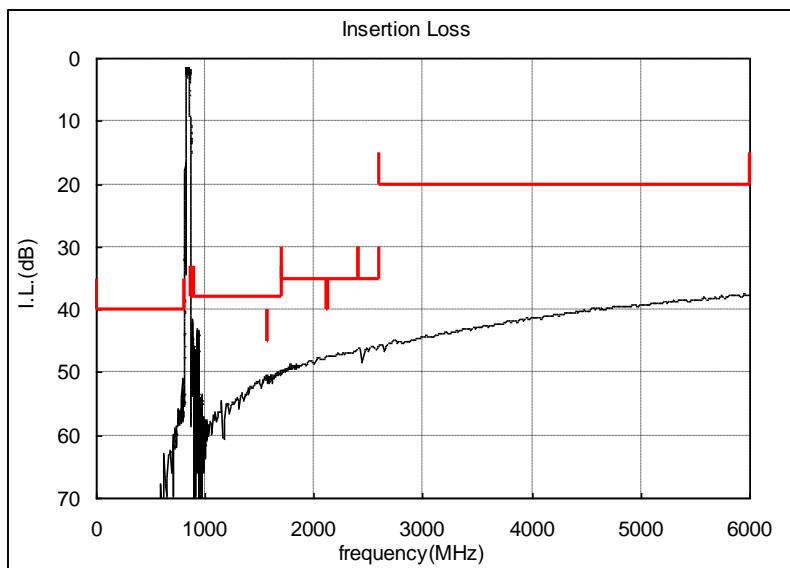
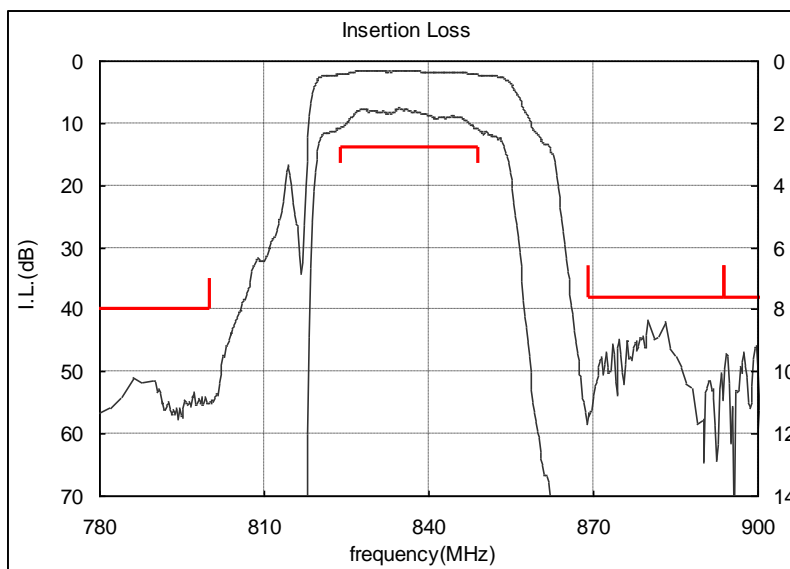
Specification

Item	Specification		
	-30 to 85°C	25±2°C	typ.
Nominal Center Frequency(fc)	836.5MHz		
Insertion Loss (824 to 849MHz)	2.8 dB max.	2.7 dB max.	2.1 dB
Absolute Attenuation			
1) 0.1 to 800 MHz	40 dB min.	40 dB min.	50 dB
2) 869 to 894 MHz	38 dB min.	38 dB min.	42 dB
3) 894 to 1700 MHz	38 dB min.	38 dB min.	43 dB
4) 1575 to 1577 MHz	45 dB min.	45 dB min.	50 dB
5) 2110 to 2130 MHz	40 dB min.	40 dB min.	47 dB
6) 1700 to 2400 MHz	35 dB min.	35 dB min.	46 dB
7) 2400 to 2600 MHz	35 dB min.	35 dB min.	45 dB
8) 2600 to 6000 MHz	20 dB min.	20 dB min.	38 dB
Ripple Deviation (824 to 849MHz)	1.4dB max.	1.4dB max.	0.7 dB
VSWR (824 to 849MHz)	2.0 max.	2.0 max.	1.6
Input Impedance (nominal)	50Ω//10nH		
Output Impedance (nominal)	50Ω		
Input Signal Level	31.6mW (+15dBm), 2000 hours		

SAW FILTER FOR UMTS BC5/JCDMA Tx

Murata part number :SAWEN836MAA0F00 (fc=836.5MHz)

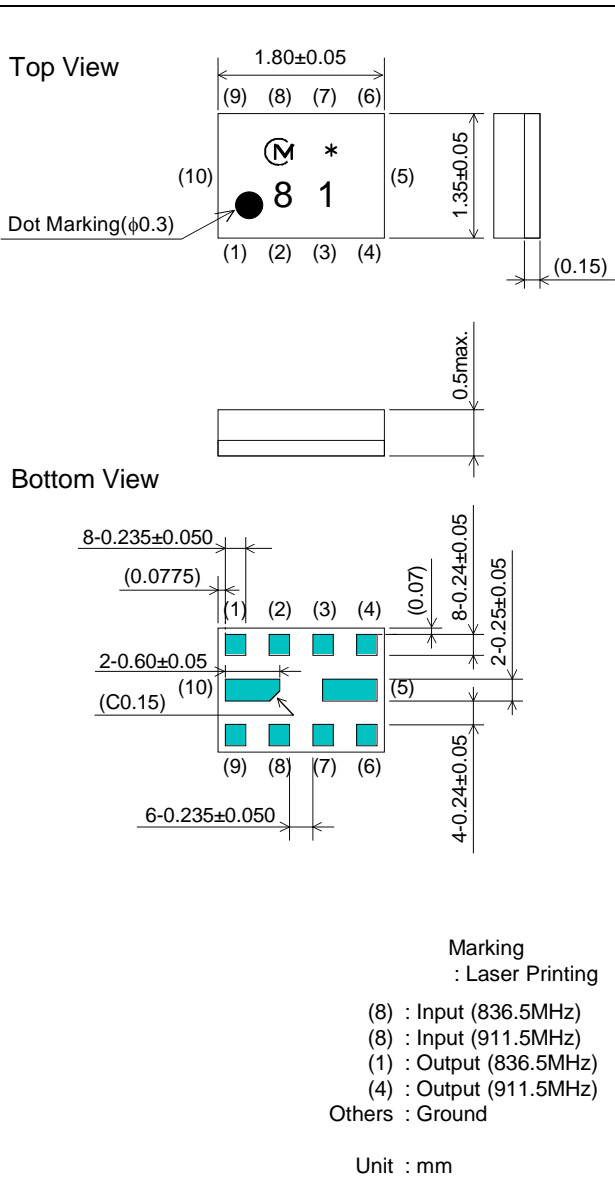
Frequency Performance



SAW FILTER FOR UMTS BC5/JCDMA Tx

Murata part number :SAWEN836MAA0F00 (fc=911.5MHz)

Package Dimensions



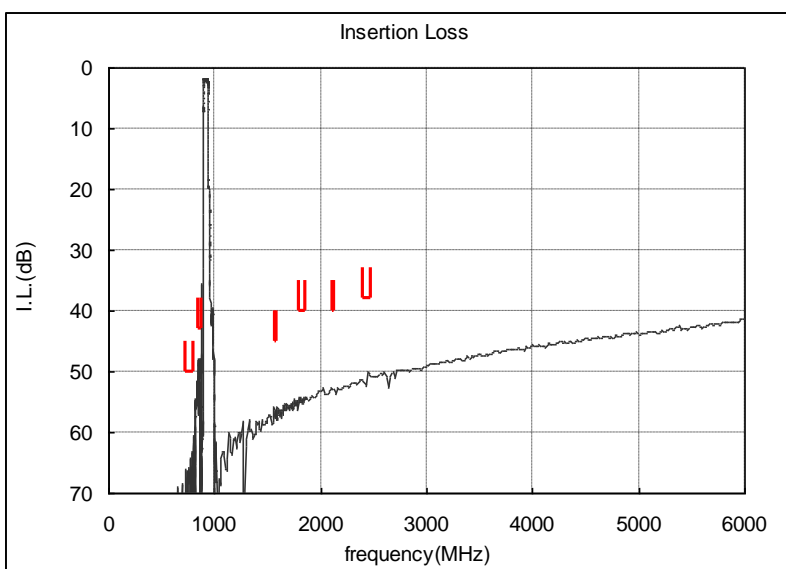
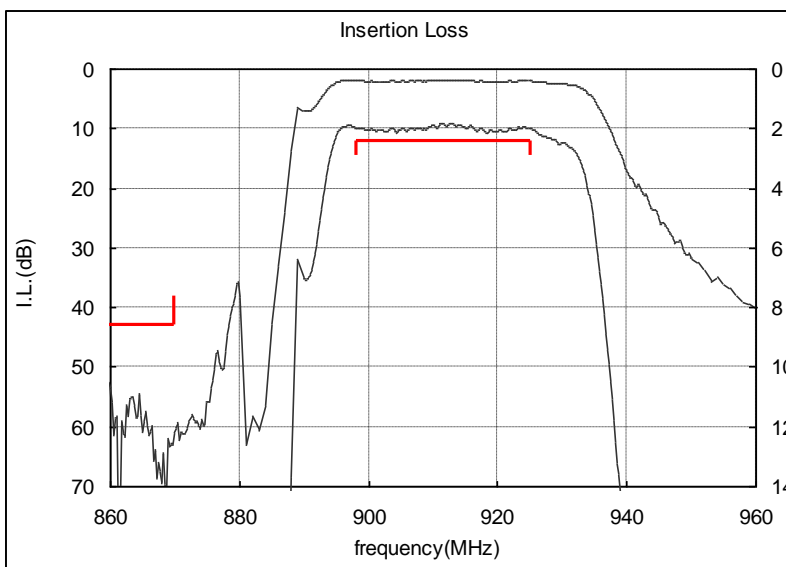
Specification

Item	Specification		
	-30 to 85°C	25±2°C	typ.
Nominal Center Frequency(fc)	911.5MHz		
Insertion Loss (898 to 925MHz)	2.4 dB max.	2.4 dB max.	2.1 dB
Absolute Attenuation			
1) 720 to 800 MHz	50 dB min.	50 dB min.	60 dB
2) 843 to 870 MHz	43 dB min.	43 dB min.	47 dB
3) 1574 to 1577 MHz	45 dB min.	45 dB min.	54 dB
4) 1796 to 1850 MHz	40 dB min.	40 dB min.	52 dB
5) 2110 to 2130 MHz	40 dB min.	40 dB min.	51 dB
6) 2394 to 2475 MHz	38 dB min.	38 dB min.	50 dB
Ripple Deviation (898 to 925MHz)	1.2 dB max.	1.2 dB max.	0.3 dB
VSWR (898 to 925MHz)	2.0 max.	2.0 max.	1.6
Input Impedance (nominal)	50Ω//10nH		
Output Impedance (nominal)	50Ω		
Input Signal Level	31.6mW (+15dBm), 2000 hours		

SAW FILTER FOR UMTS BC5/JCDMA Tx

Murata part number :SAWEN836MAA0F00 (fc=911.5MHz)

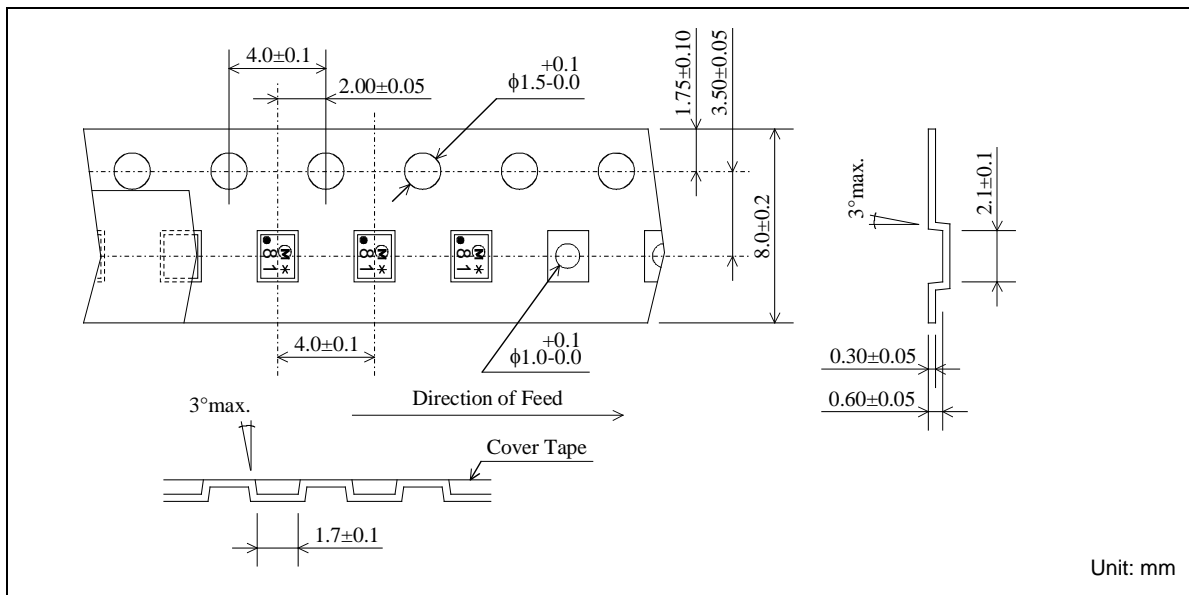
Frequency Performance



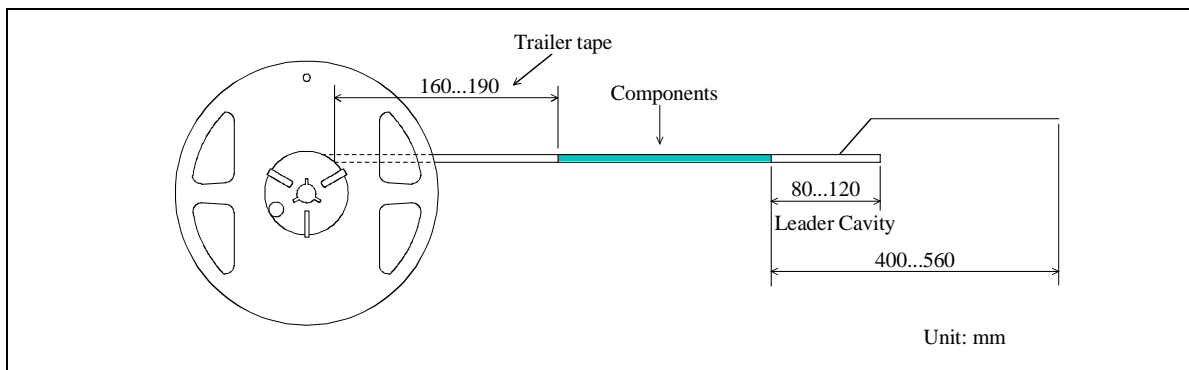
SAW FILTER FOR UMTS BC5/JCDMA Tx

Murata part number :SAWEN836MAA0F00

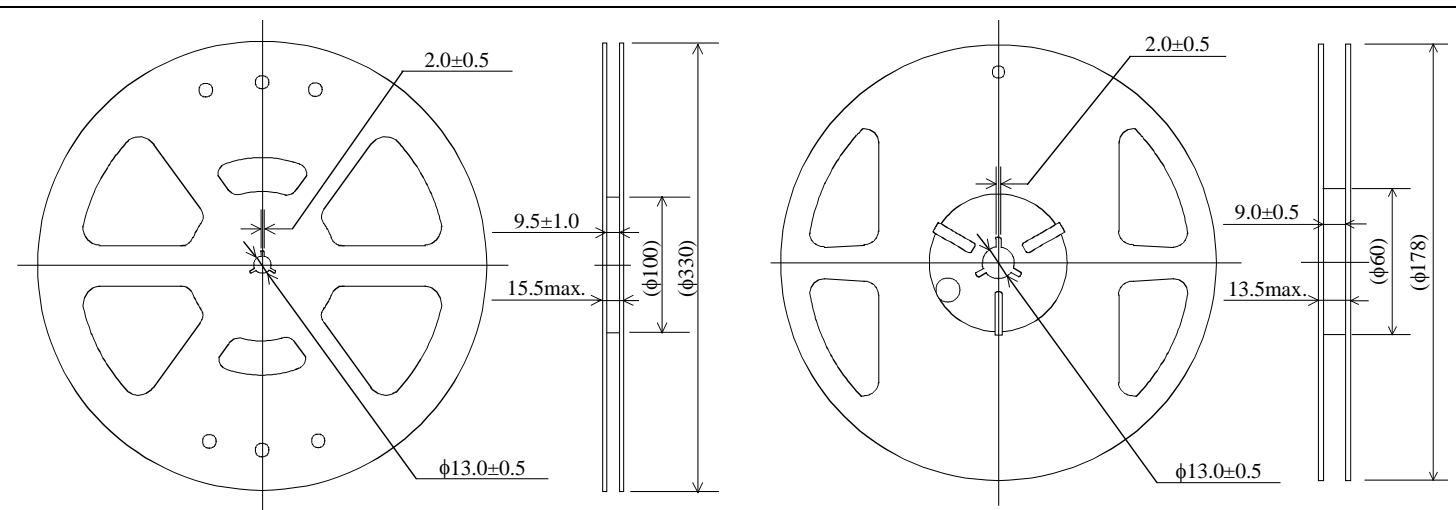
Dimensions of Carrier Tape



Dimensions of Tape



Dimensions of Reel



SAWEN836MAA0F00R00 ... 10000pcs/reel

SAWEN836MAA0F00R15 ... 5000pcs/reel

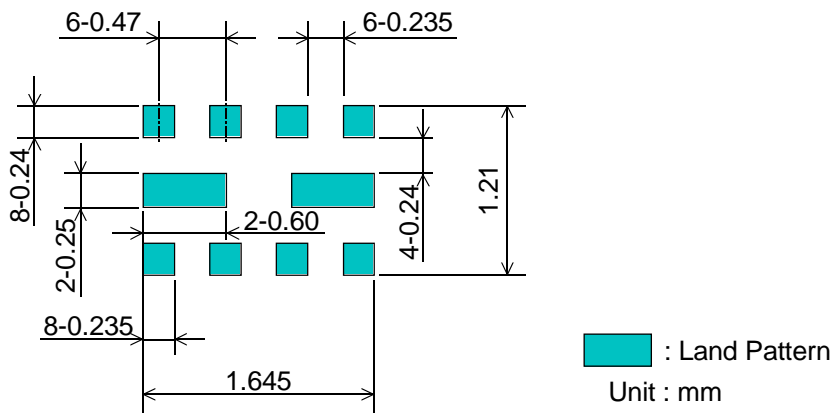
Unit: mm

SAW FILTER FOR UMTS BC5/JCDMA Tx

Murata part number :SAWEN836MAA0F00

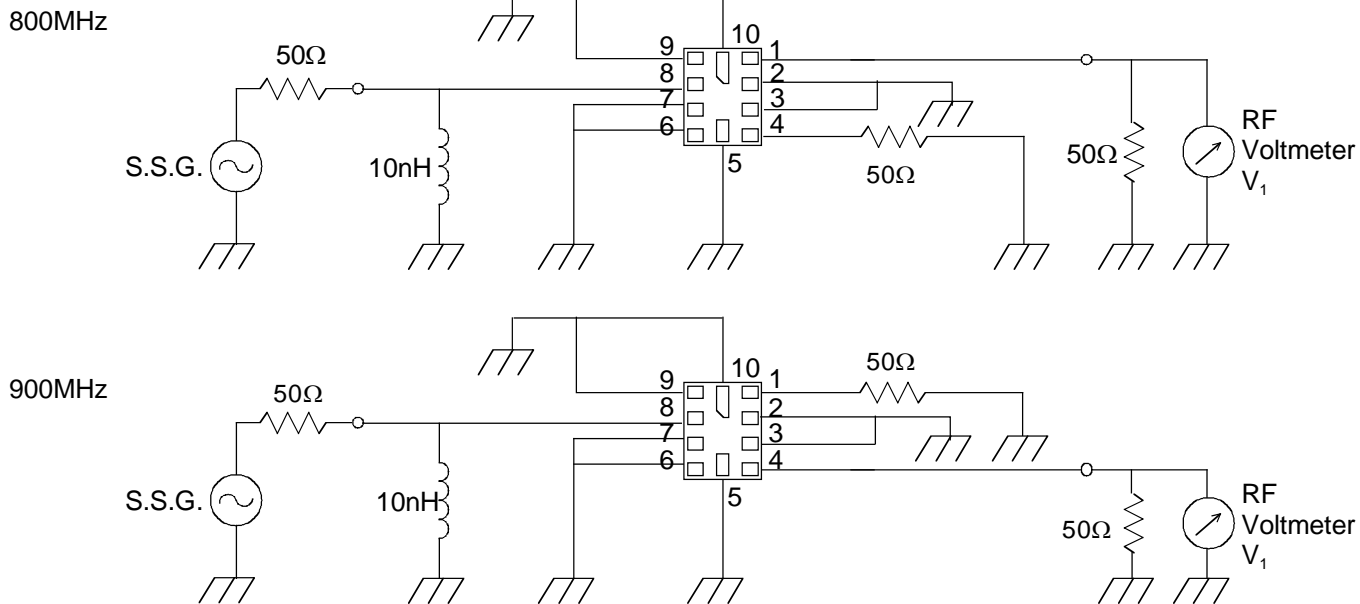
Recommended Land Pattern

Top View



Test Circuit

Bottom View



SAW FILTER FOR UMTS BC5/JCDMA Tx

Murata part number :SAWEN836MAA0F00

■ RoHS Compliance

This component is compliant with RoHS directive.

This component was always RoHS compliant from the first date of manufacture.

• Caution - Limitation of Applications

This product is intended for the following applications only; however, please do not use this product in these applications where defects might directly cause damage to a third party's life, body or property.

- a. Mobile Telephone
- b. Cordless phone (except for Automotive use)
- c. PC (Including Notebook PC, Netbook PC, Tablet)
- d. Game
- e. Camera (except for Business/security use)
- f. Set Top Box
- g. Electronic dictionary
- h. Digital audio equipment

• This catalog is for reference only and not an official product specification document, therefore, please review and approve our official product specification before ordering this product.