



Data Sheet of SAW Components



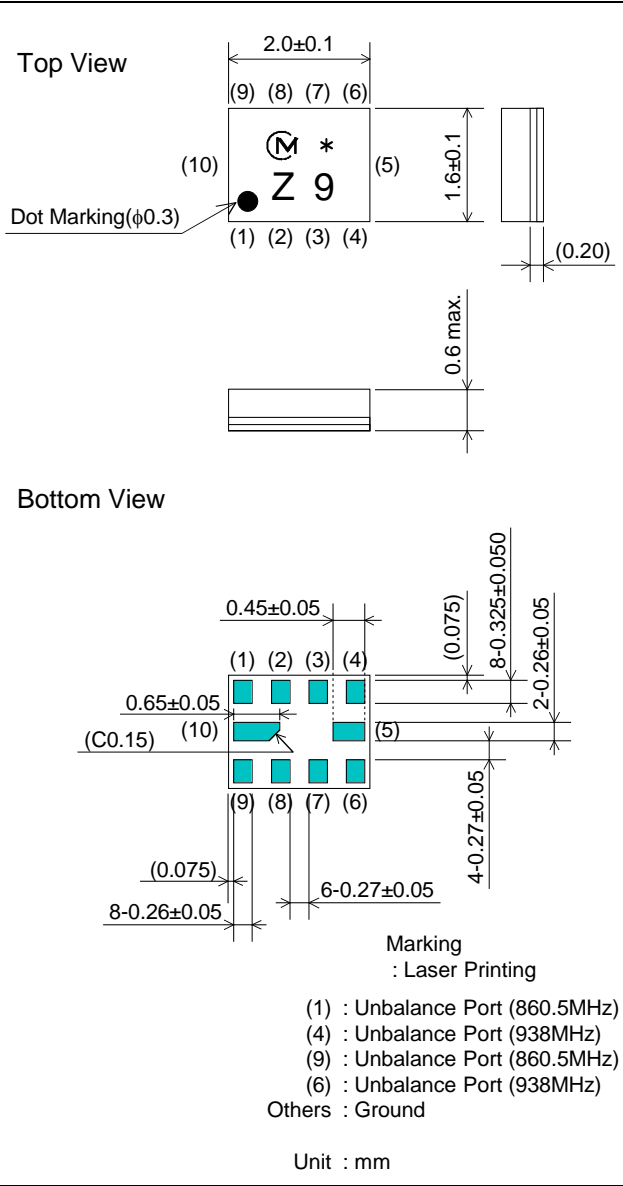
Note : Murata SAW Component is applicable for Cellular /Cordless phone (Terminal) relevant market only.

Please also read caution at the end of this document.

SAW FILTER FOR iDEN800/900M RF

Murata part number : SAWEP860MBA0F00 ($f_c=860.5\text{MHz}$)

Package Dimensions



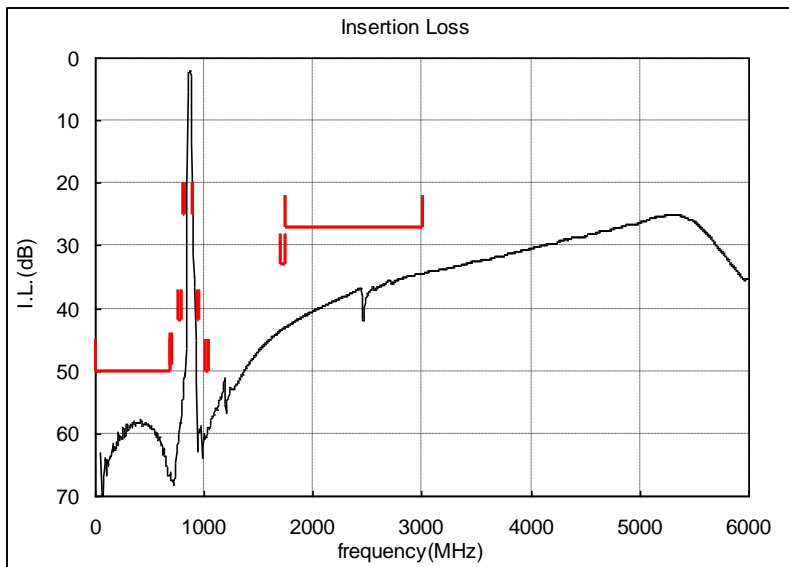
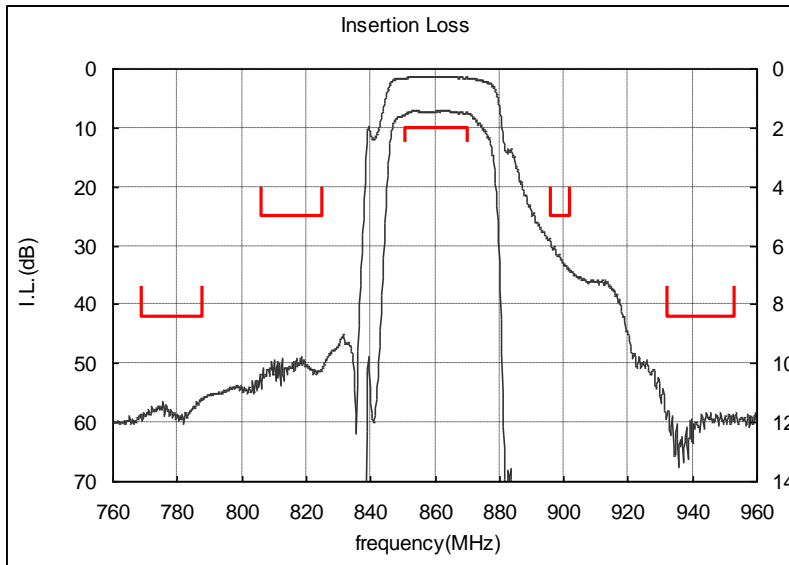
Specification

Item	Specification	
	-30 to +85°C	typ.
Nominal Center Frequency(f_c)	860.5 MHz	
Insertion Loss (851 to 870MHz)	2.0 dB max.	1.5 dB
Absolute Attenuation		
1) 0.1 to 688 MHz	50 dB min.	57 dB
2) 688 to 705 MHz	49 dB min.	66 dB
3) 769 to 788 MHz	42 dB min.	54 dB
4) 806 to 825 MHz	25 dB min.	48 dB
5) 896 to 902 MHz	25 dB min.	29 dB
6) 932 to 953 MHz	42 dB min.	59 dB
7) 1013 to 1036 MHz	50 dB min.	57 dB
8) 1702 to 1740 MHz	33 dB min.	42 dB
9) 1740 to 3000 MHz	27 dB min.	34 dB
Ripple Deviation (851 to 870MHz)	1.0 dB max.	0.2 dB
Return Loss (851 to 870MHz)	12 dB min.	16 dB
Group Delay Time Deviation (851 to 870MHz)	50 ns max.	15 ns
Unbalance Port Matching Impedance (nominal)	50Ω	
Input Signal Level	31.6mW (+15dBm), 2000 hours	

SAW FILTER FOR iDEN800/900M RF

Murata part number : SAWEP860MBA0F00 ($f_c=860.5\text{MHz}$)

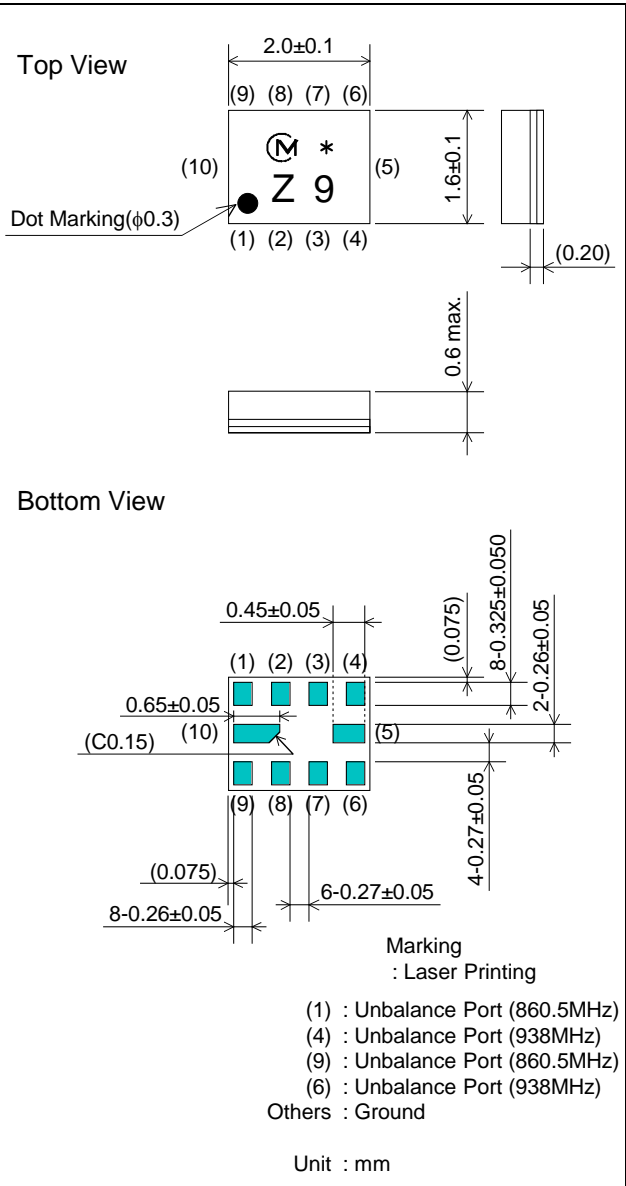
Frequency Performance



SAW FILTER FOR iDEN800/900M RF

Murata part number : SAWEP860MBA0F00 (fc=938MHz)

Package Dimensions



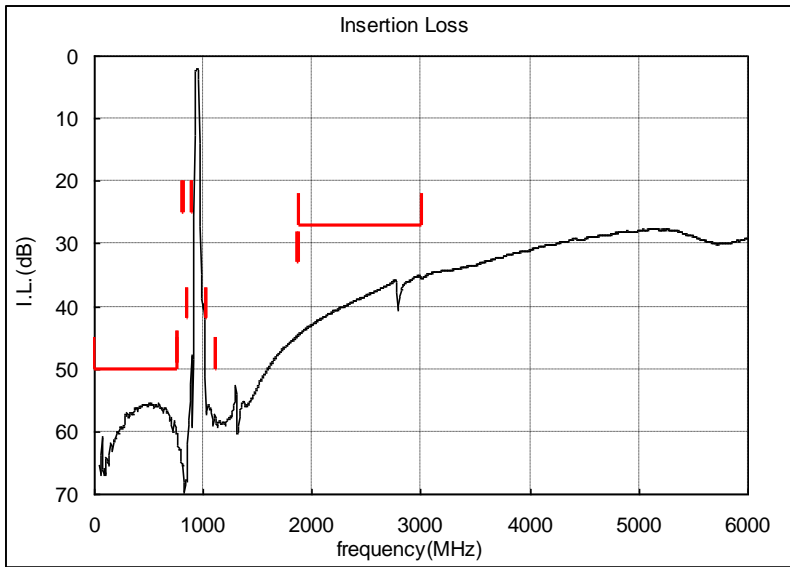
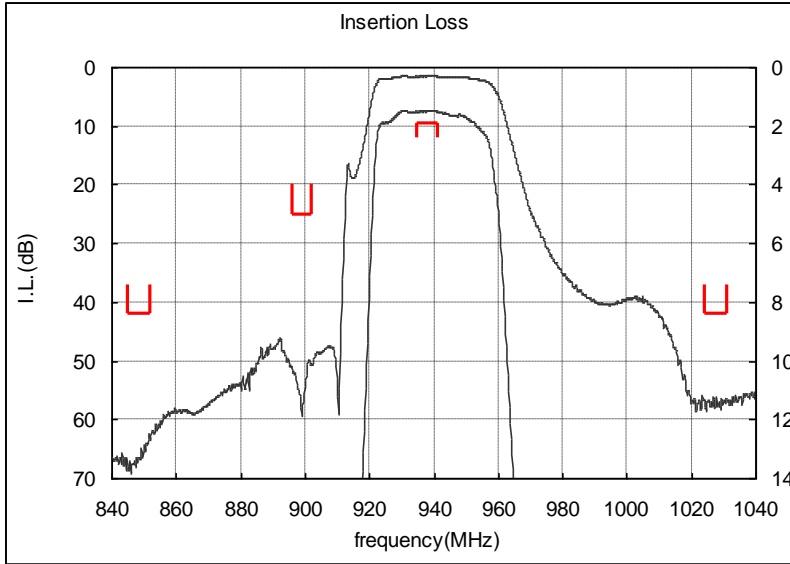
Specification

Item	Specification	
	-30 to +85°C	typ.
Nominal Center Frequency(fc)	938 MHz	
Insertion Loss (935 to 941MHz)	1.9 dB max.	1.4 dB
Absolute Attenuation		
1) 0.1 to 756 MHz	50 dB min.	54 dB
2) 756 to 762 MHz	49 dB min.	59 dB
3) 806 to 825 MHz	25 dB min.	64 dB
4) 845 to 852 MHz	42 dB min.	62 dB
5) 896 to 902 MHz	25 dB min.	49 dB
6) 1024 to 1031 MHz	42 dB min.	55 dB
7) 1113 to 1121 MHz	50 dB min.	57 dB
8) 1870 to 1882 MHz	33 dB min.	44 dB
9) 1882 to 3000 MHz	27 dB min.	35 dB
Ripple Deviation (935 to 941MHz)	1.0 dB max.	0.1 dB
Return Loss (935 to 941MHz)	12 dB min.	17 dB
Group Delay Time Deviation (935 to 941MHz)	50 ns max.	3 ns
Unbalance Port Matching Impedance (nominal)	50Ω	
Input Signal Level	31.6mW (+15dBm), 2000 hours	

SAW FILTER FOR iDEN800/900M RF

Murata part number : SAWEP860MBA0F00 (fc=938MHz)

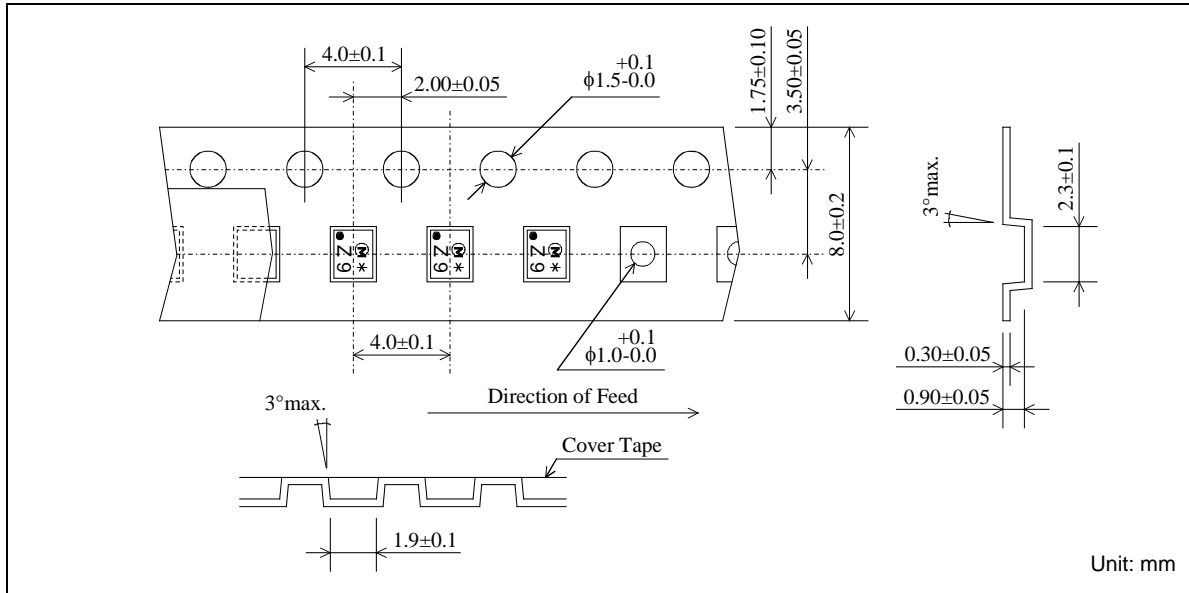
Frequency Performance



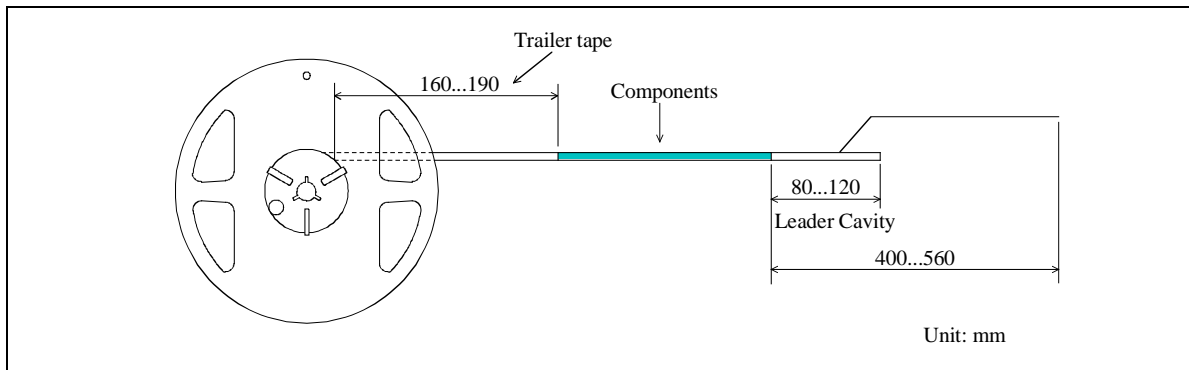
SAW FILTER FOR iDEN800/900M RF

Murata part number : SAWEP860MBA0F00

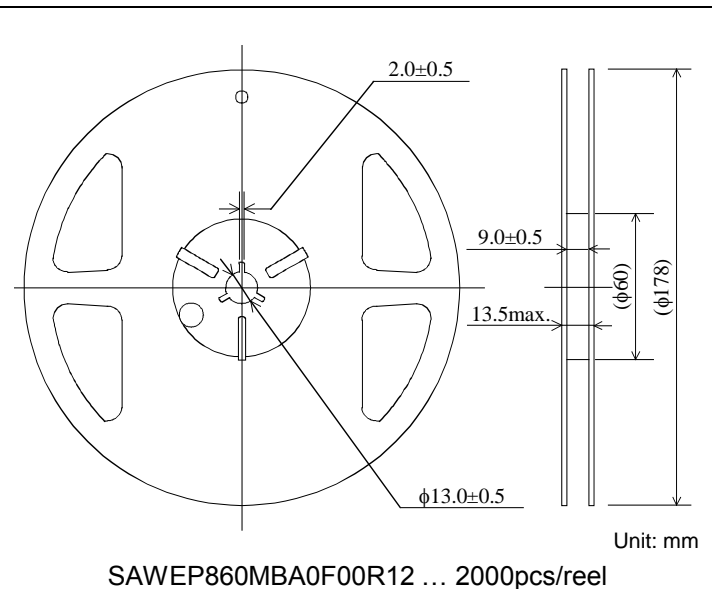
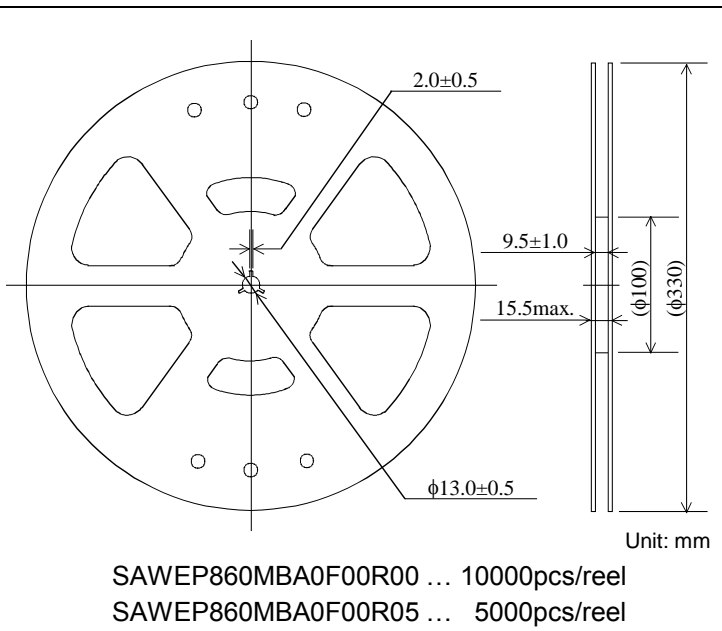
Dimensions of Carrier Tape



Dimensions of Tape



Dimensions of Reel

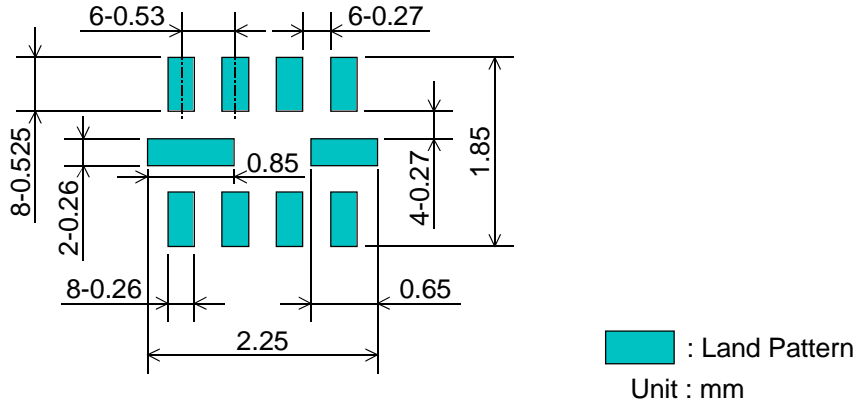


SAW FILTER FOR iDEN800/900M RF

Murata part number : SAWEP860MBA0F00

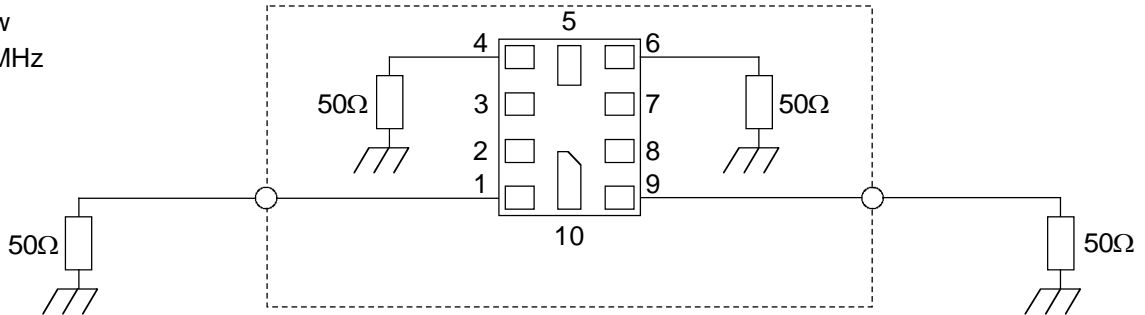
Recommended Land Pattern

Top View

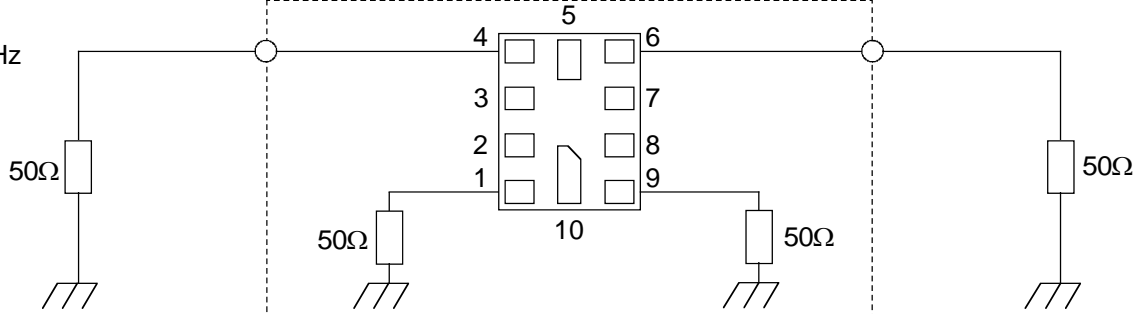


Test Circuit

Bottom View
860.5MHz



938MHz



SAW FILTER FOR iDEN800/900M RF

Murata part number : SAWEP860MBA0F00

■ RoHS Compliance

This component is compliant with RoHS directive.

This component was always RoHS compliant from the first date of manufacture.

• Caution - Limitation of Applications

This product is intended for the following applications only; however, please do not use this product in these applications where defects might directly cause damage to a third party's life, body or property.

- a. Mobile Telephone
- b. Cordless phone (except for Automotive use)
- c. PC (Including Notebook PC, Netbook PC, Tablet)
- d. Game
- e. Camera (except for Business/security use)
- f. Set Top Box
- g. Electronic dictionary
- h. Digital audio equipment

• This catalog is for reference only and not an official product specification document, therefore, please review and approve our official product specification before ordering this product.