



# Data Sheet of SAW Components



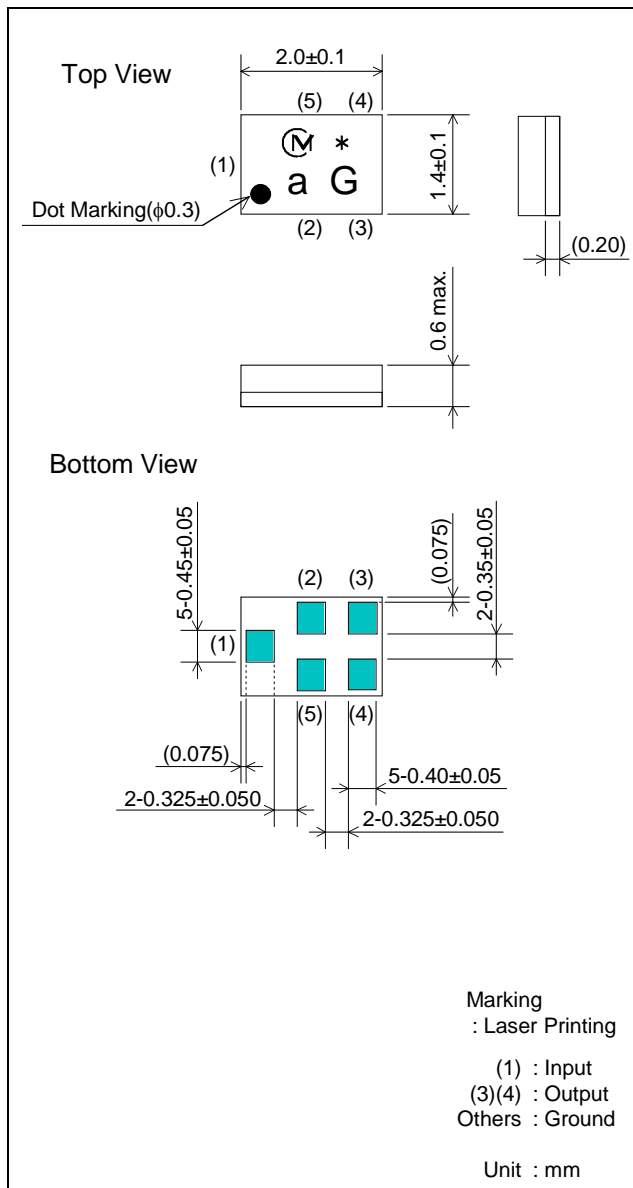
Note : Murata SAW Component is applicable for Cellular /Cordless phone (Terminal) relevant market only.

Please also read caution at the end of this document.

# SAW FILTER FOR SCDMA1800 Rx

Murata part number : SAFED1G79FL0F00

## ■ Package Dimensions



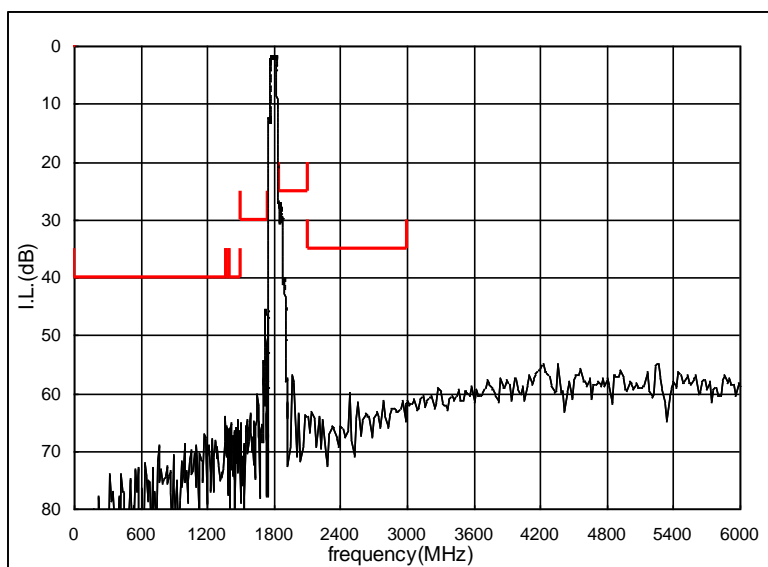
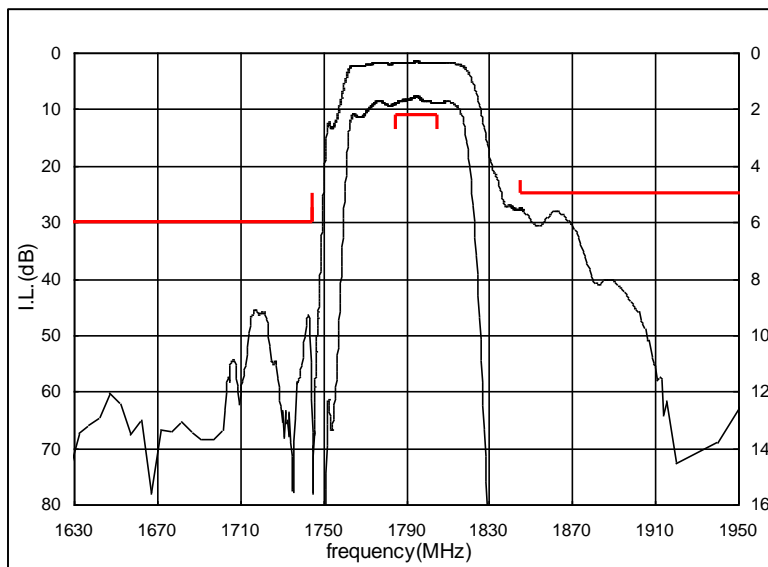
## ■ Specification

Item	Specification	
	-30 to +70°C	typ.
Nominal Center Frequency(fc)	1795 MHz	
Insertion Loss (1785 to 1805 MHz)	2.2 dB max.	1.8 dB
Absolute Attenuation		
1) 0.3 to 1377 MHz	40 dB min.	62 dB
2) 1377 to 1397 MHz	40 dB min.	62 dB
3) 1397 to 1500 MHz	40 dB min.	60 dB
4) 1500 to 1745 MHz	30 dB min.	45 dB
5) 1845 to 2100 MHz	25 dB min.	28 dB
6) 2100 to 3000 MHz	35 dB min.	55 dB
Ripple Deviation (1785 to 1805 MHz)	0.5 dB max.	0.3 dB
VSWR (1785 to 1805 MHz)	1.9 max.	1.4
Amplitude Balance (1785 to 1805 MHz)	$\pm 1.7$ dB max.	$\pm 0.3$ dB
Phase Balance (1785 to 1805 MHz)	$180 \pm 15$ deg.	$180 \pm 3$ deg.
Input Impedance (nominal)	50Ω	
Output Impedance (nominal)	200Ω//56nH	
Input Signal Level	31.6mW (+15dBm), 2000 hours	

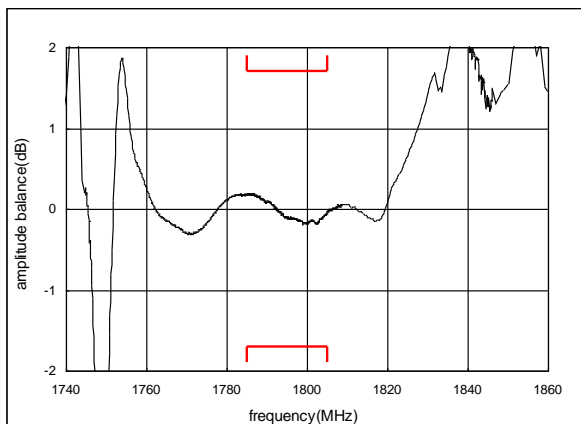
# SAW FILTER FOR SCDMA1800 Rx

Murata part number : SAFED1G79FL0F00

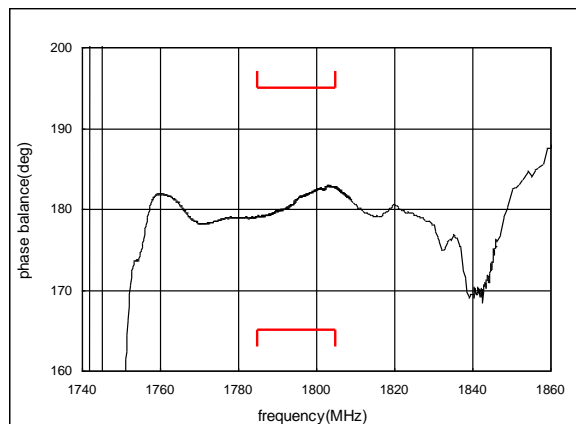
## Frequency Performance



Amplitude balance



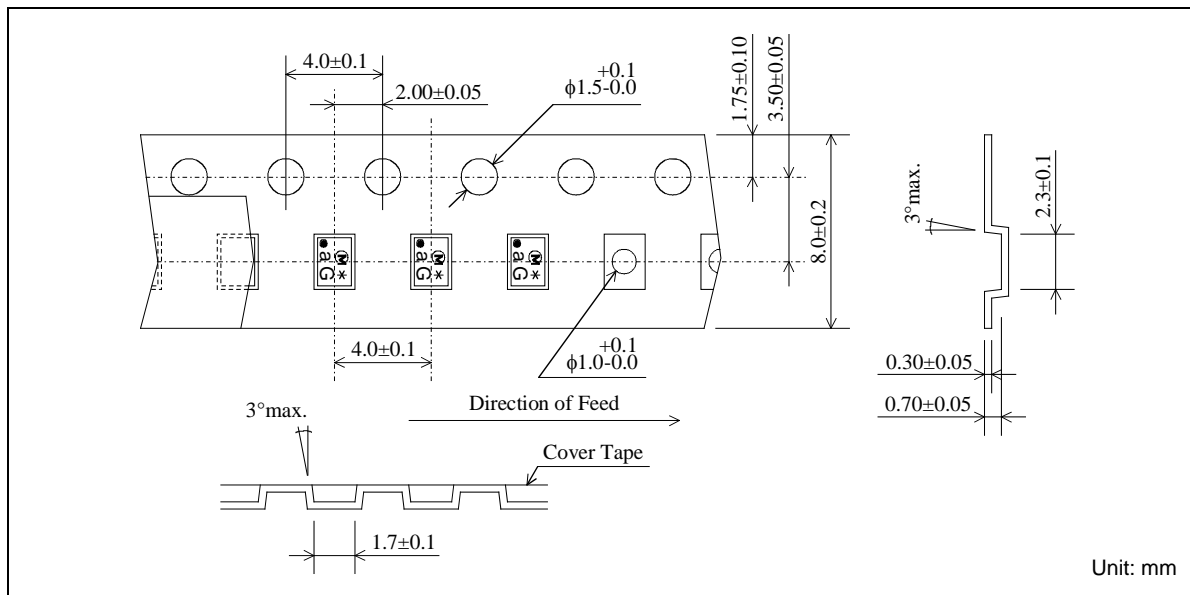
Phase balance



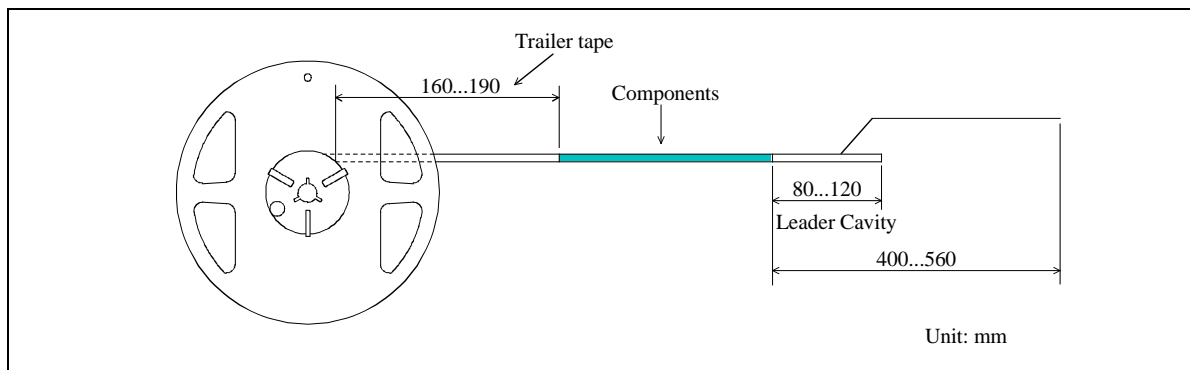
# SAW FILTER FOR SCDMA1800 Rx

Murata part number : SAFED1G79FL0F00

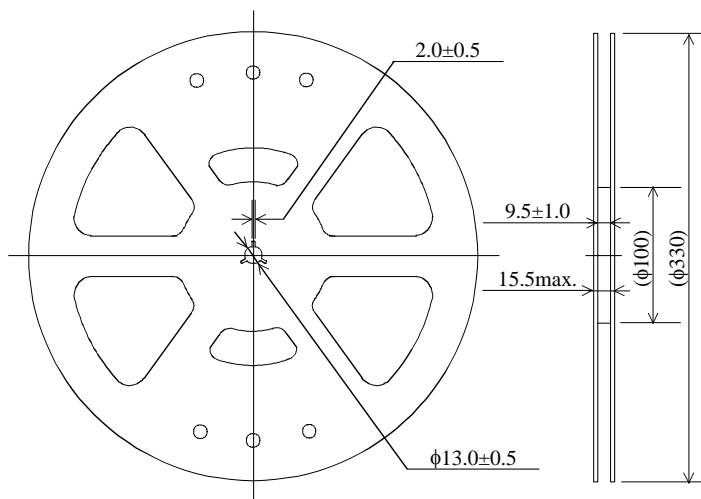
## ■ Dimensions of Carrier Tape



## ■ Dimensions of Tape



## ■ Dimensions of Reel



SAFED1G79FL0F00R00 ... 10000pcs/reel  
SAFED1G79FL0F00R05 ... 5000pcs/reel

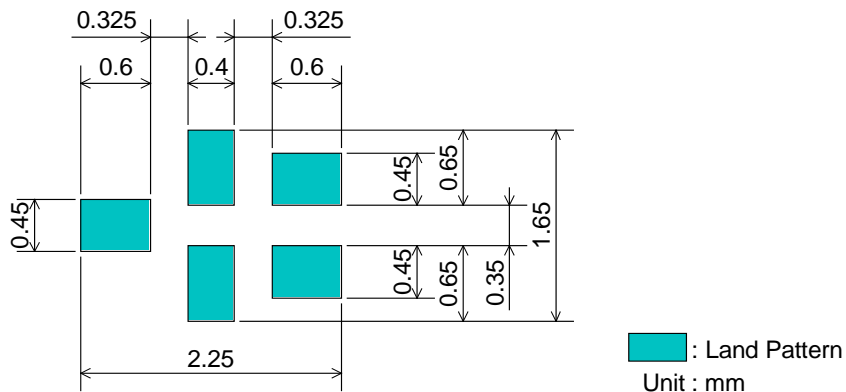
Unit: mm

# SAW FILTER FOR SCDMA1800 Rx

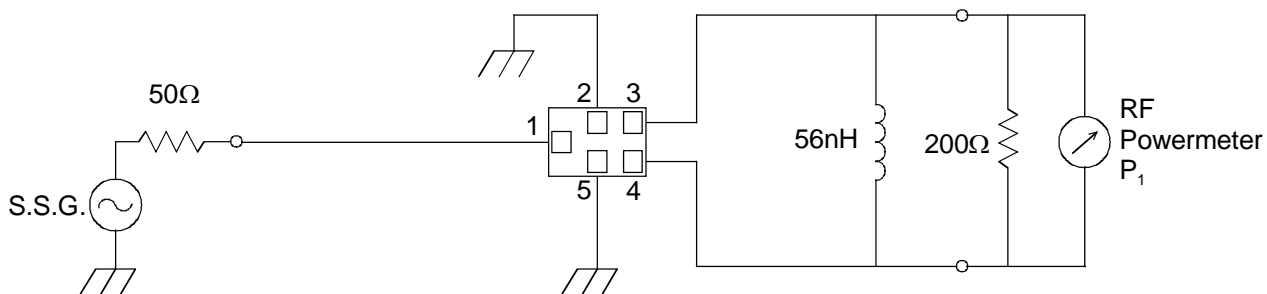
Murata part number : SAFED1G79FL0F00

## Recommended Land Pattern

Top View



Bottom View



# SAW FILTER FOR SCDMA1800 Rx

■ RoHS Compliance Murata part number : SAFED1G79FL0F00

This component is compliant with RoHS directive.

This component was always RoHS compliant from the first date of manufacture.

## • Caution - Limitation of Applications

This product is intended for the following applications only; however, please do not use this product in these applications where defects might directly cause damage to a third party's life, body or property.

- a. Mobile Telephone
- b. Cordless phone (except for Automotive use)
- c. PC (Including Notebook PC, Netbook PC, Tablet)
- d. Game
- e. Camera (except for Business/security use)
- f. Set Top Box
- g. Electronic dictionary
- h. Digital audio equipment

• This catalog is for reference only and not an official product specification document, therefore, please review and approve our official product specification before ordering this product.