



Data Sheet of SAW Components



Note : Murata SAW Component is applicable for Cellular /Cordless phone (Terminal) relevant market only.

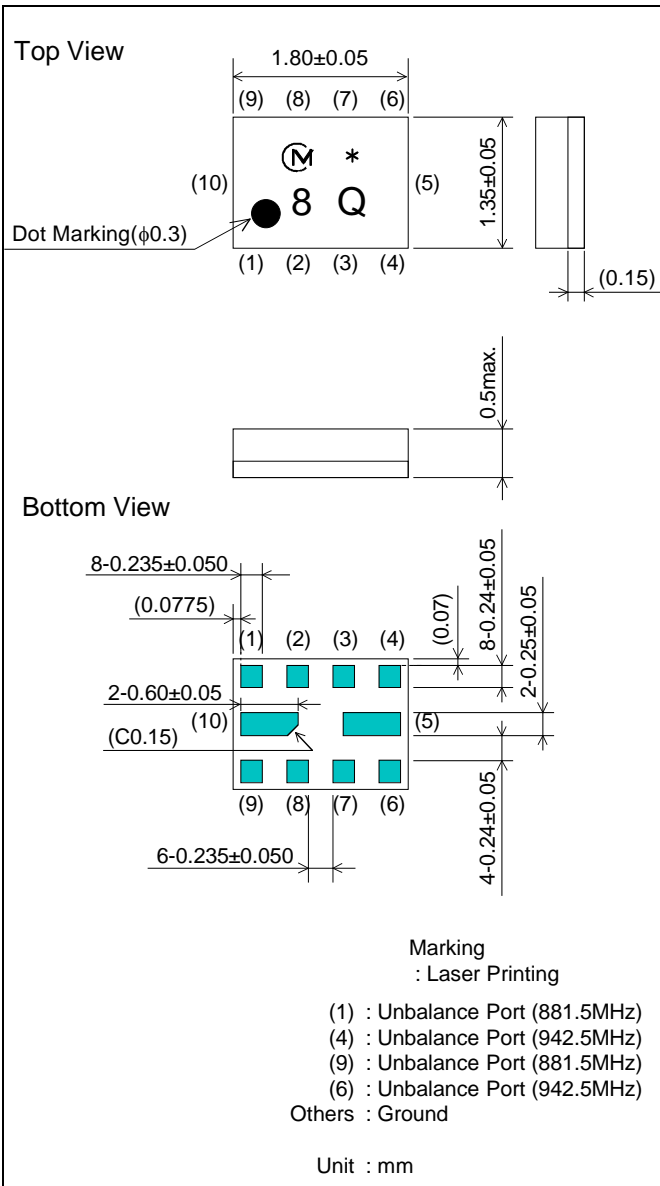
Please also read caution at the end of this document.

SAW FILTER FOR GSM/UMTS (Rx)

Murata part number : SAWEN881MBA0F25 ($f_c=881.5\text{MHz}$)

Package Dimensions

Specification

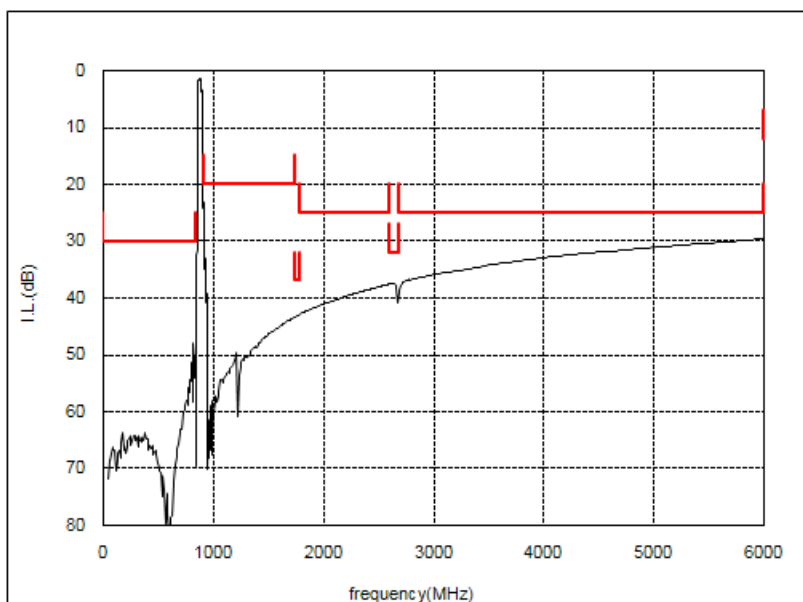
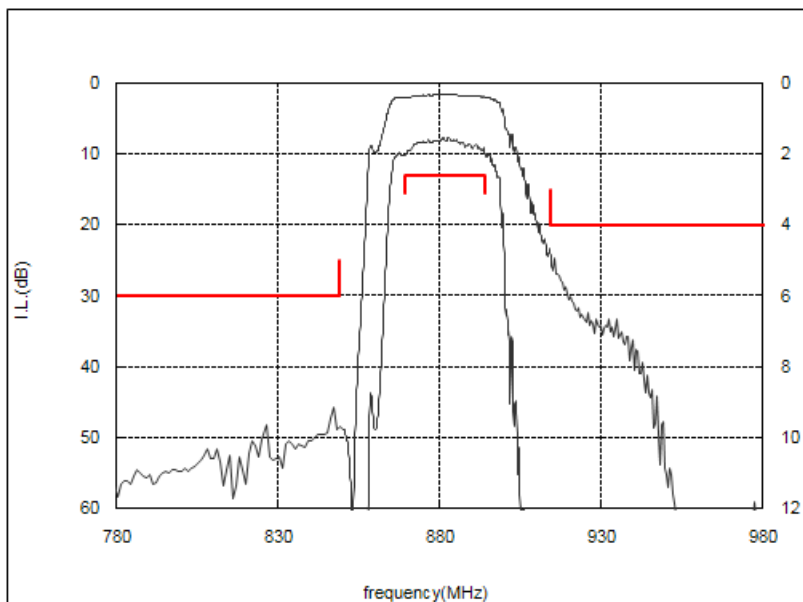


Item	Specification		
	-30 to 85°C	25±2°C	typ.
Nominal Center Frequency(f_c)	881.5MHz		
Insertion Loss (869 to 894MHz)	2.6dB max.	2.5dB max.	2.1 dB
Absolute Attenuation			
1) 0.1 to 849 MHz	30 dB min.	30 dB min.	44 dB
2) 914 to 1738 MHz	20 dB min.	20 dB min.	24 dB
3) 1738 to 1788 MHz	37 dB min.	37 dB min.	42 dB
4) 1788 to 2607 MHz	25 dB min.	25 dB min.	37 dB
5) 2607 to 2682 MHz	32 dB min.	32 dB min.	37 dB
6) 2682 to 6000 MHz	25 dB min.	25 dB min.	30 dB
7) 6000 to 12750 MHz	12 dB min.	12 dB min.	17 dB
Ripple Deviation (869 to 894MHz)	1.3dB max.	1.2dB max.	0.6 dB
VSWR (869 to 894MHz)	2.0 max.	1.9 max.	1.7
Unbalance Port Matching Impedance (nominal)	50Ω		
Input Signal Level	31.6mW (+15dBm), 2000 hours		

SAW FILTER FOR GSM/UMTS (Rx)

Murata part number : SAWEN881MBA0F25 ($f_c=881.5\text{MHz}$)

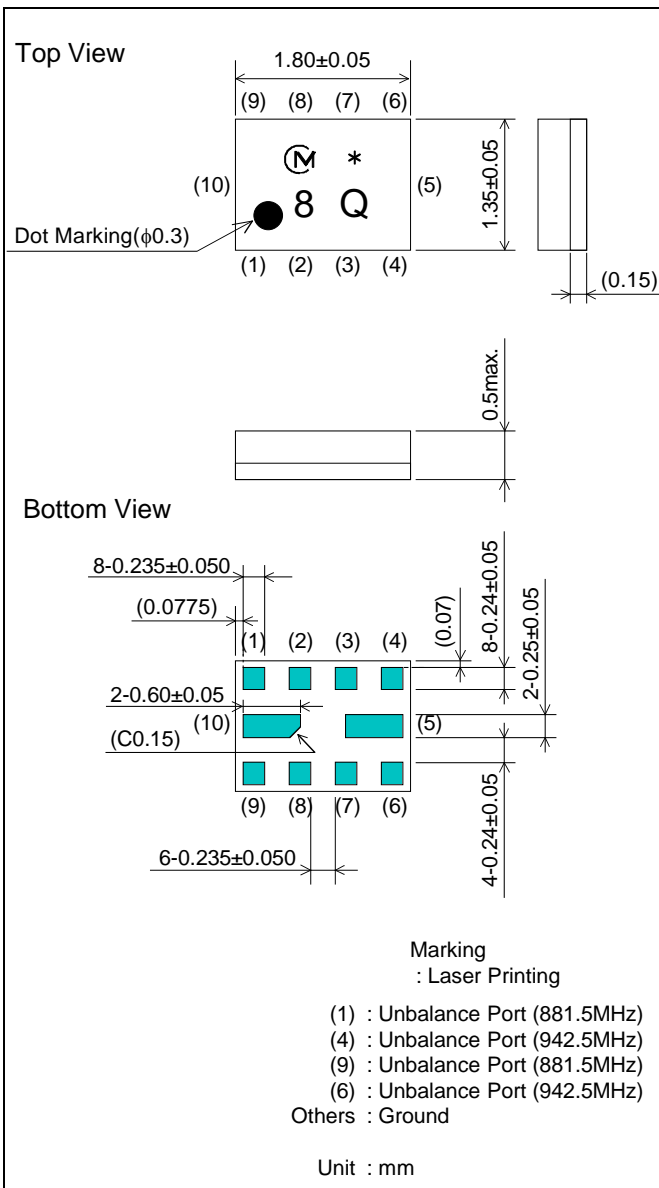
Frequency Performance



SAW FILTER FOR GSM/UMTS (Rx)

Murata part number : SAWEN881MBA0F25 (fc=942.5MHz)

Package Dimensions



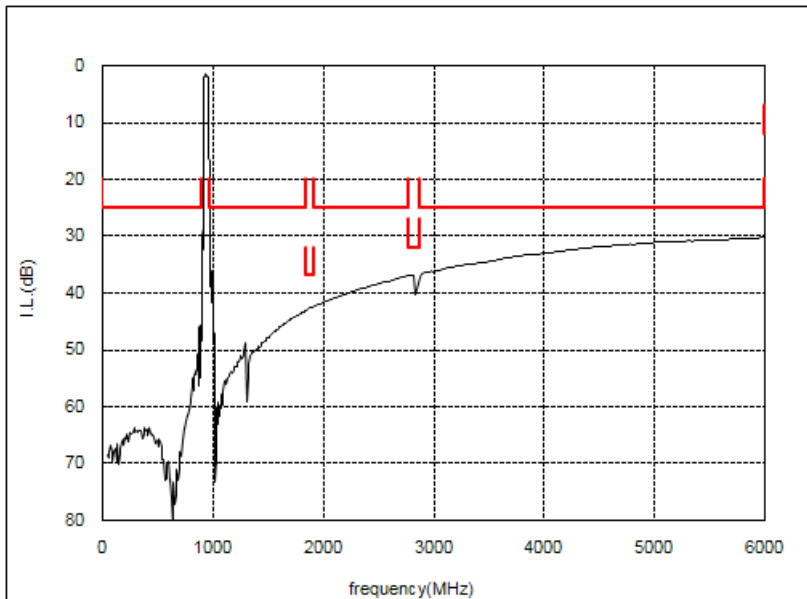
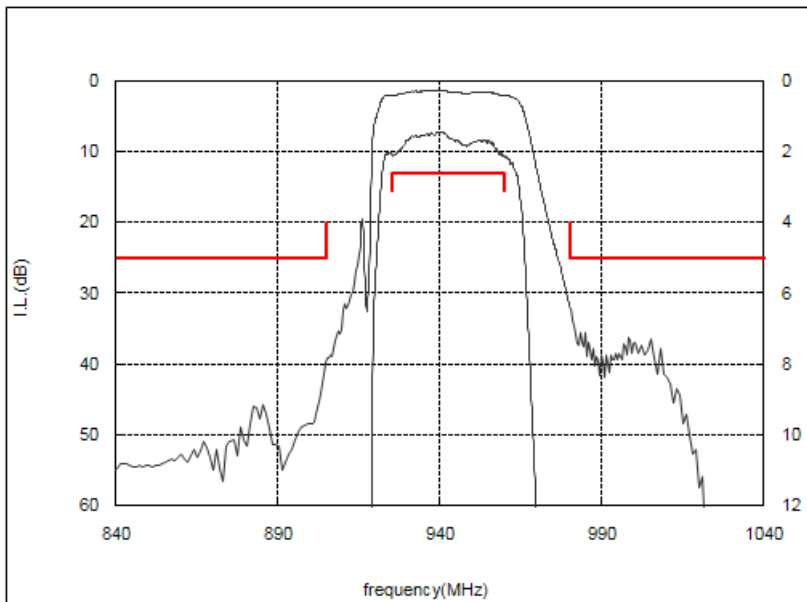
Specification

Item	Specification		
	-30 to 85°C	25±2°C	typ.
Nominal Center Frequency(fc)	942.5MHz		
Insertion Loss (925 to 960MHz)	2.6dB max.	2.5dB max.	2.2 dB
Absolute Attenuation			
1) 0.1 to 905 MHz	25 dB min.	25 dB min.	40 dB
2) 980 to 1850 MHz	25 dB min.	25 dB min.	32 dB
3) 1850 to 1920 MHz	37 dB min.	37 dB min.	41 dB
4) 1920 to 2775 MHz	25 dB min.	25 dB min.	36 dB
5) 2775 to 2880 MHz	32 dB min.	32 dB min.	36 dB
6) 2880 to 6000 MHz	25 dB min.	25 dB min.	30 dB
7) 6000 to 12750 MHz	12 dB min.	12 dB min.	19 dB
Ripple Deviation (925 to 960MHz)	1.3dB max.	1.2dB max.	0.8 dB
VSWR (925 to 960MHz)	2.0 max.	1.9 max.	1.7
Unbalance Port Matching Impedance (nominal)	50Ω		
Input Signal Level	31.6mW (+15dBm), 2000 hours		

SAW FILTER FOR GSM/UMTS (Rx)

Murata part number : SAWEN881MBA0F25 (fc=942.5MHz)

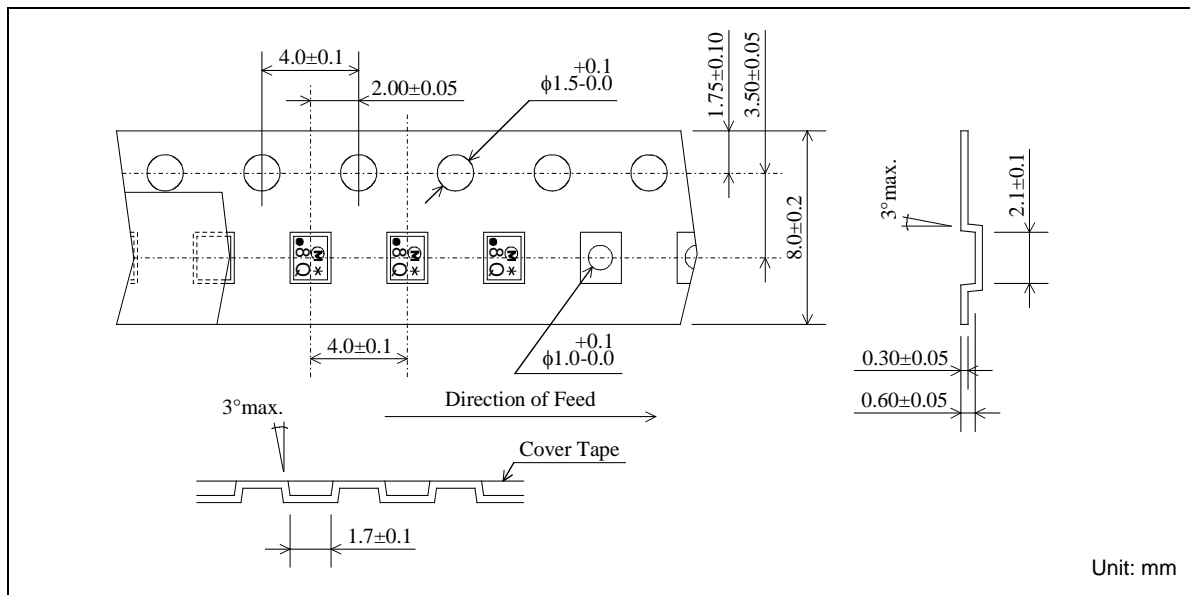
Frequency Performance



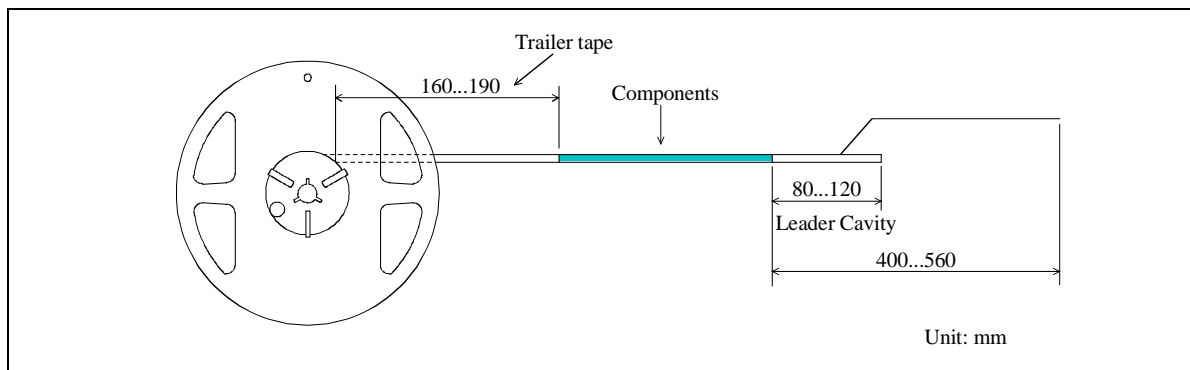
SAW FILTER FOR GSM/UMTS (Rx)

Murata part number : SAWEN881MBA0F25

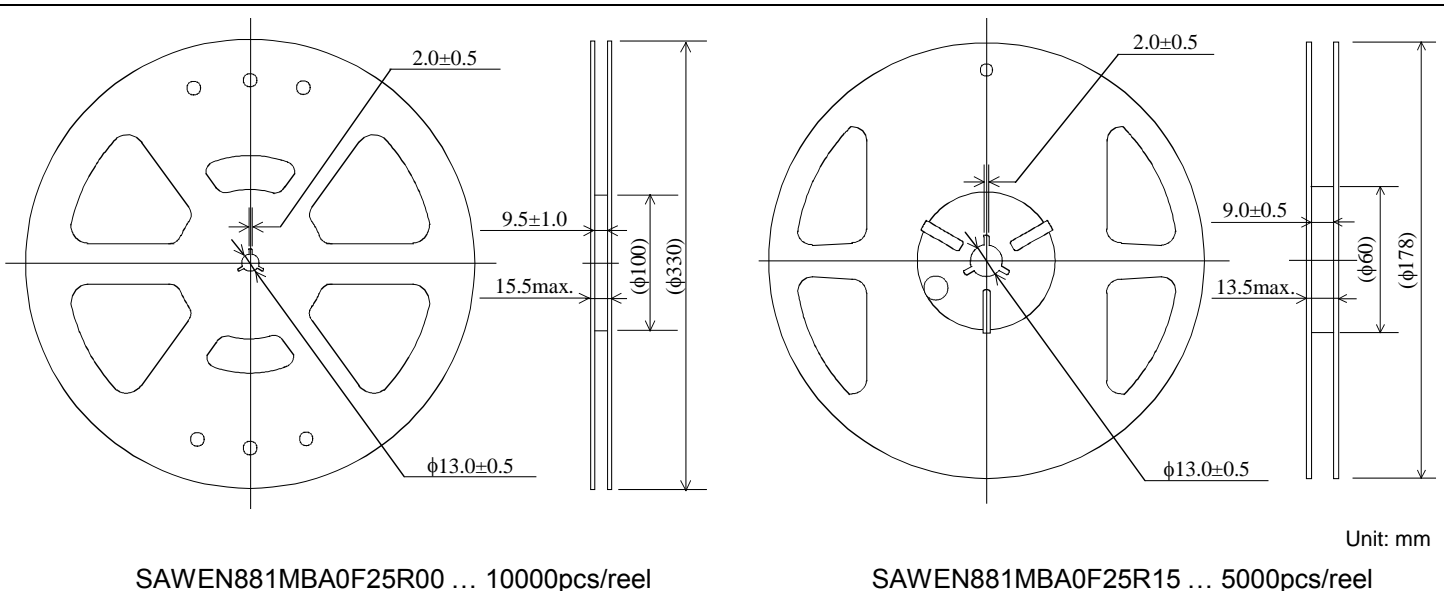
Dimensions of Carrier Tape



Dimensions of Tape



Dimensions of Reel

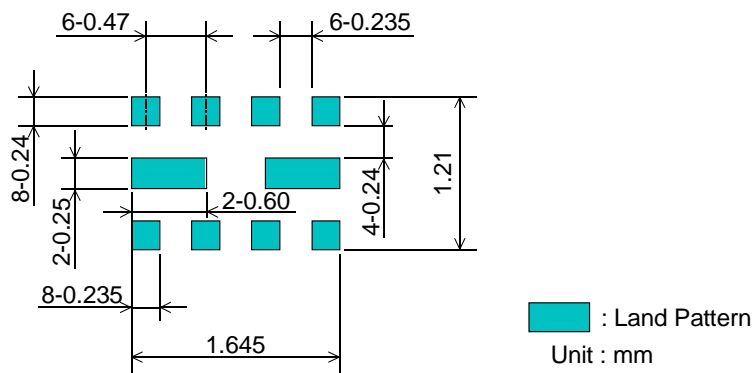


SAW FILTER FOR GSM/UMTS (Rx)

Murata part number : SAWEN881MBA0F25

Recommended Land Pattern

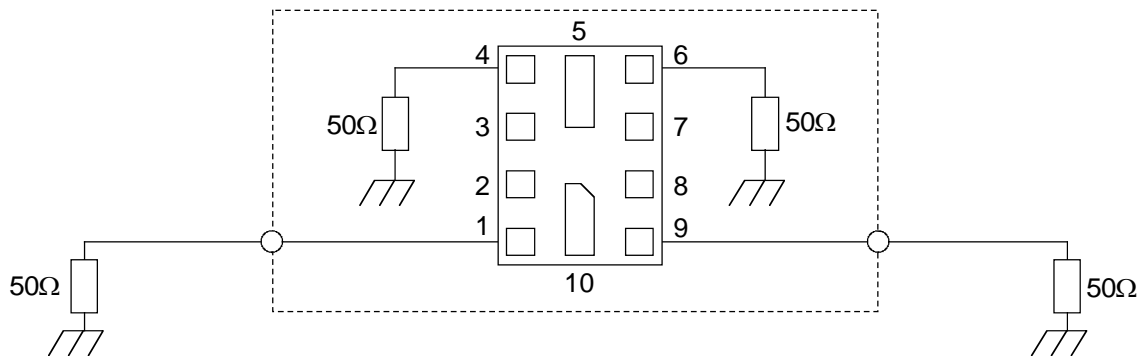
Top View



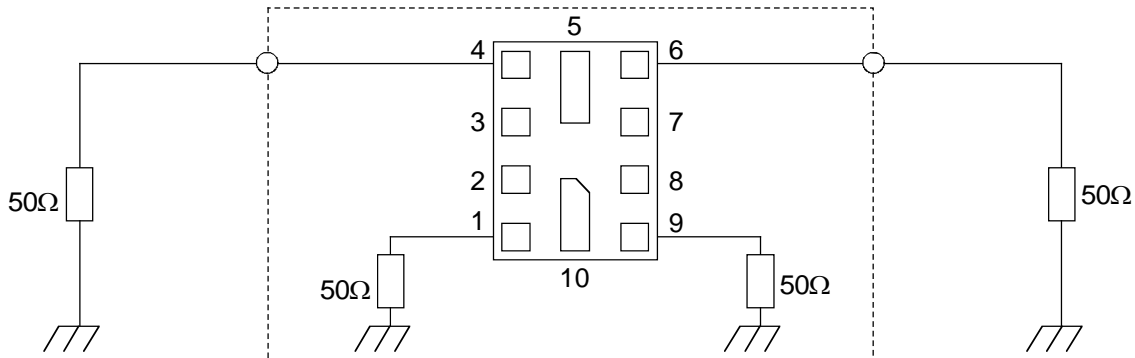
Test Circuit

Bottom View

881.5MHz



942.5MHz



SAW FILTER FOR GSM/UMTS (Rx)

Murata part number : SAWEN881MBA0F25

■ RoHS Compliance

This component is compliant with RoHS directive.

This component was always RoHS compliant from the first date of manufacture.

• Caution - Limitation of Applications

This product is intended for the following applications only; however, please do not use this product in these applications where defects might directly cause damage to a third party's life, body or property.

- a. Mobile Telephone
- b. Cordless phone (except for Automotive use)
- c. PC (Including Notebook PC, Netbook PC, Tablet)
- d. Game
- e. Camera (except for Business/security use)
- f. Set Top Box
- g. Electronic dictionary
- h. Digital audio equipment

• This catalog is for reference only and not an official product specification document, therefore, please review and approve our official product specification before ordering this product.