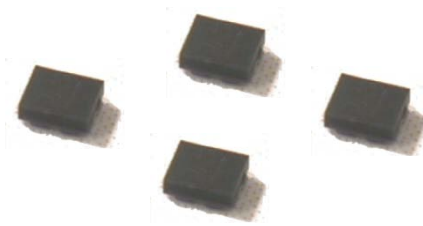




Data Sheet of SAW Components



Note : Murata SAW Component is applicable for Cellular /Cordless phone (Terminal) relevant market only.

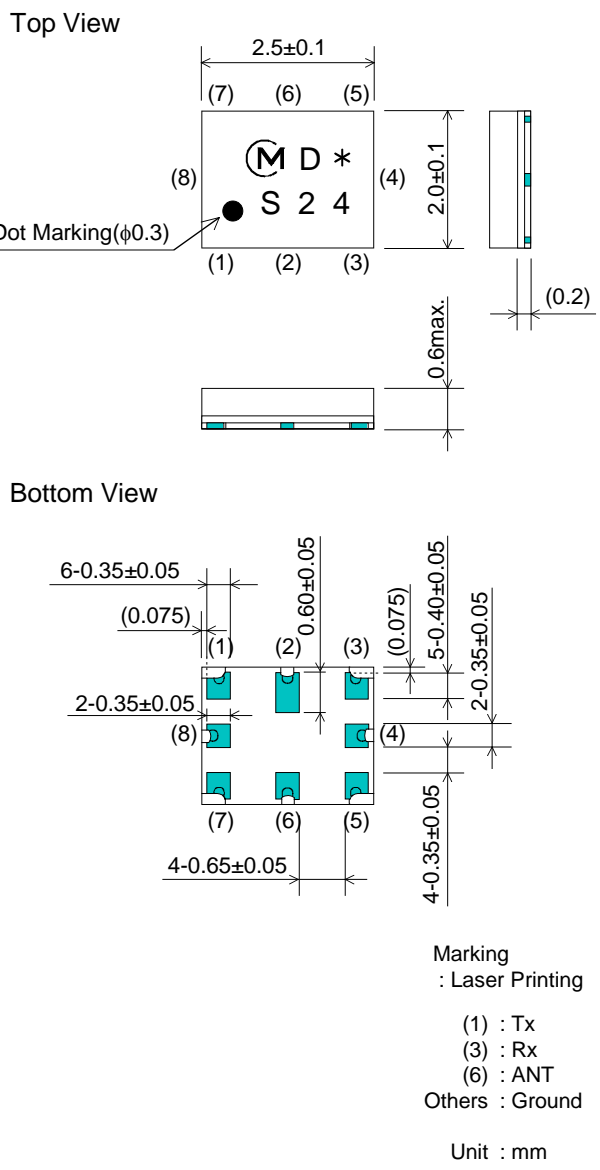
Please also read caution at the end of this document.

SAW FILTER FOR J-CDMA

Murata part number :SAYEV856MAD0F00[Tx →ANT]

■ Package Dimensions

■ Specification

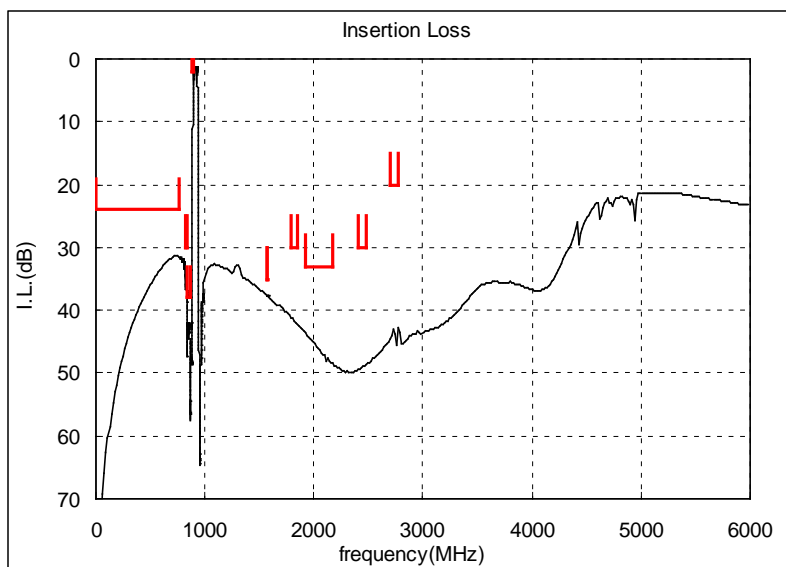
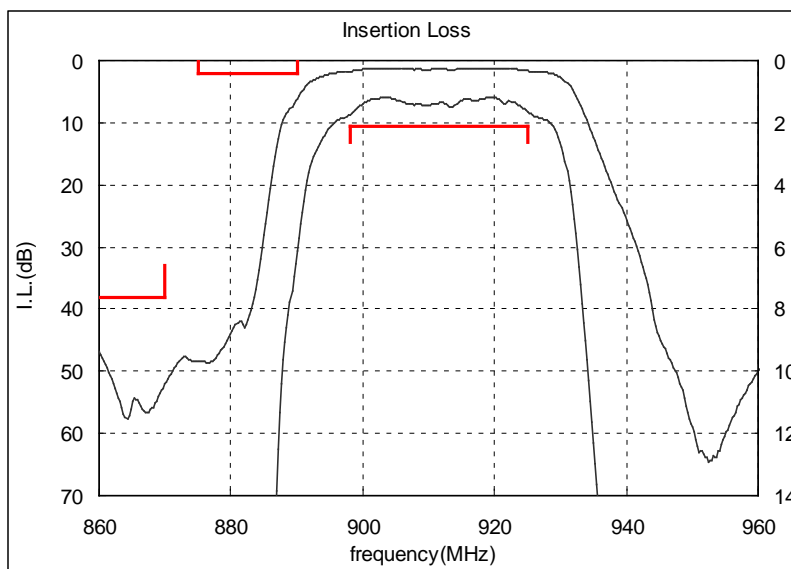


Item	Specification		
	-30 to 85°C	25±2°C	typ.
Nominal Center Frequency(fc)	911.5MHz		
Insertion Loss (898 to 925MHz)	2.1 dB max.	2.0 dB max.	1.8 dB
Absolute Attenuation			
1) 0.1 to 770 MHz	24 dB min.	24 dB min.	31 dB
2) 824 to 830 MHz	30 dB min.	30 dB min.	35 dB
3) 843 to 870 MHz	38 dB min.	38 dB min.	42 dB
4) 875 to 890 MHz	2 dB min.	2 dB min.	6 dB
5) 1574 to 1577 MHz	35 dB min.	35 dB min.	37 dB
6) 1796 to 1850 MHz	30 dB min.	30 dB min.	41 dB
7) 1920 to 2170 MHz	33 dB min.	33 dB min.	35 dB
8) 2400 to 2484 MHz	30 dB min.	30 dB min.	48 dB
9) 2694 to 2775 MHz	20 dB min.	20 dB min.	43 dB
Ripple Deviation (898 to 925MHz)	1.0 dB max.	1.0 dB max.	0.6 dB
VSWR (898 to 925MHz)	2.2 max.	2.2 max.	1.9
Impedance at Tx port(normal)	50Ω		
Impedance at ANT port(normal)	50Ω//9.1nH		
Input Signal Level	1.0W, 50000 hours (50°C)		

SAW FILTER FOR J-CDMA

Murata part number :SAYEV856MAD0F00[Tx →ANT]

Frequency Performance



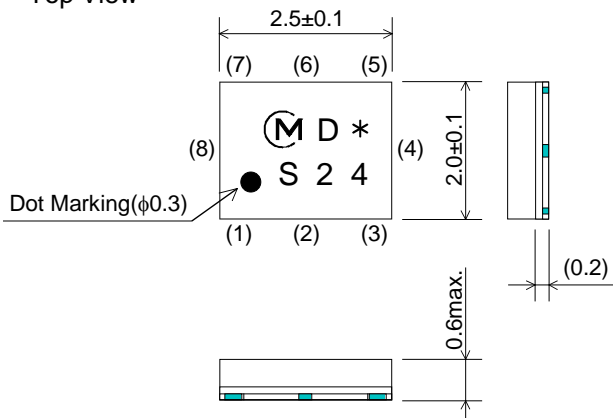
SAW FILTER FOR J-CDMA

Murata part number :SAYEV856MAD0F00[ANT→Rx]

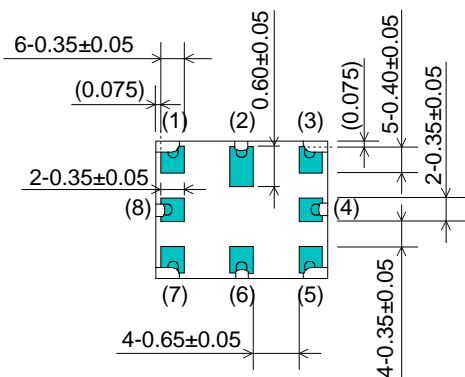
Package Dimensions

Specification

Top View



Bottom View



Marking
: Laser Printing

(1) : Tx
(3) : Rx
(6) : ANT
Others : Ground

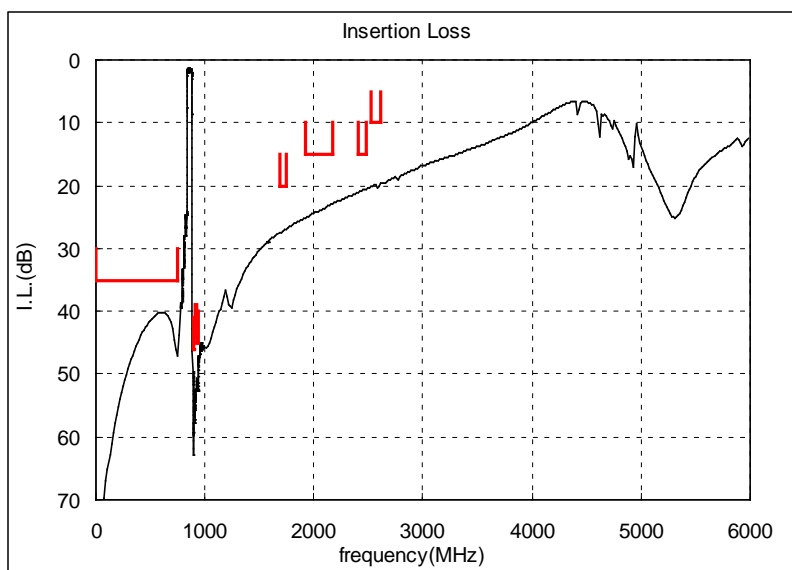
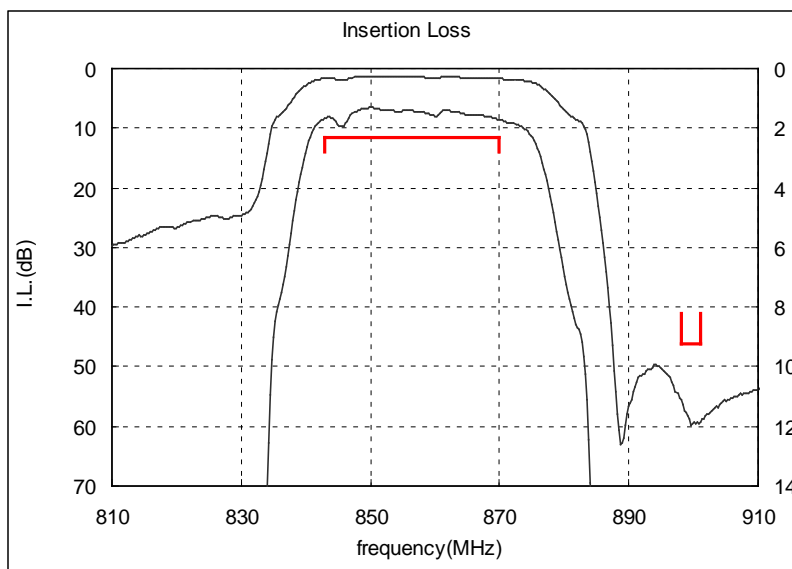
Unit : mm

Item	Specification		
	-30 to 85°C	25±2°C	typ.
Nominal Center Frequency(fc)	856.5MHz		
Insertion Loss (843 to 870MHz)	2.3 dB max.	2.1 dB max.	1.9 dB
Absolute Attenuation			
1) 0.1 to 750 MHz	35 dB min.	35 dB min.	39 dB
2) 898 to 901 MHz	46 dB min.	46 dB min.	55 dB
3) 915 to 925 MHz	44 dB min.	44 dB min.	51 dB
4) 925 to 940 MHz	45 dB min.	45 dB min.	47 dB
5) 1686 to 1740 MHz	20 dB min.	20 dB min.	28 dB
6) 1920 to 2170 MHz	15 dB min.	15 dB min.	24 dB
7) 2400 to 2484 MHz	15 dB min.	15 dB min.	21 dB
8) 2529 to 2610 MHz	10 dB min.	10 dB min.	20 dB
Ripple Deviation (843 to 870MHz)	1.0 dB max.	1.0 dB max.	0.6 dB
VSWR (843 to 870MHz)	2.2 max.	2.2 max.	1.9
Impedance at ANT port(normal)	50Ω//9.1nH		
Impedance at Rx port(normal)	50Ω		

SAW FILTER FOR J-CDMA

Murata part number :SAYEV856MAD0F00[ANT→Rx]

Frequency Performance



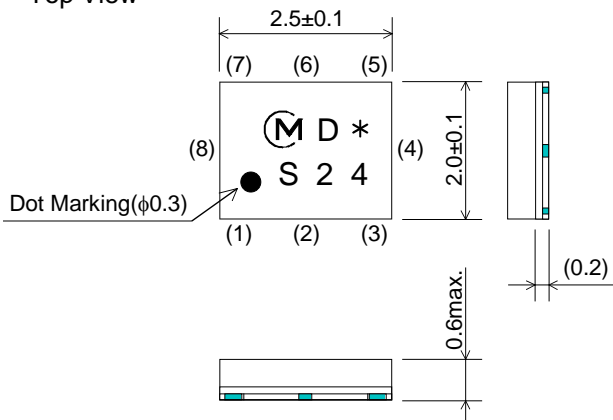
SAW FILTER FOR J-CDMA

Murata part number :SAYEV856MAD0F00[Tx →Rx]

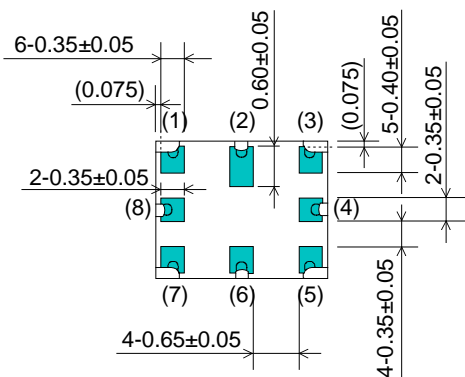
■ Package Dimensions

■ Specification

Top View



Bottom View



Marking
: Laser Printing

- (1) : Tx
- (3) : Rx
- (6) : ANT
- Others : Ground

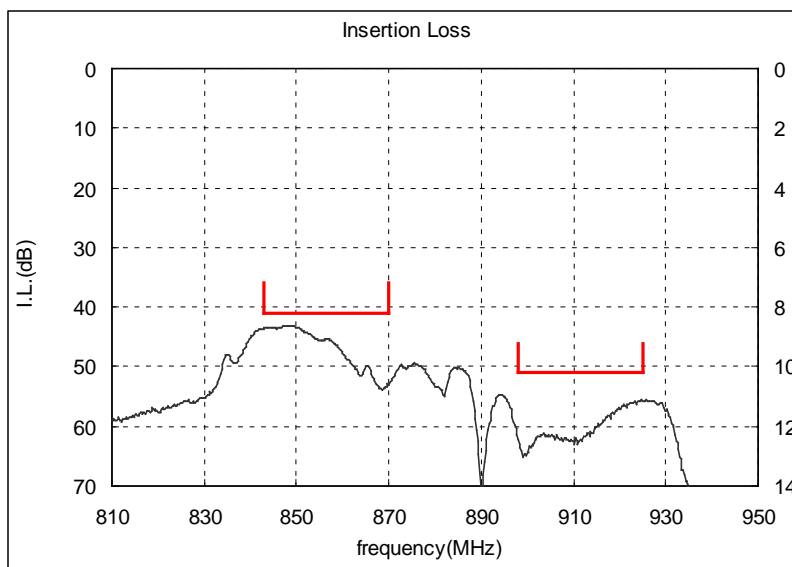
Unit : mm

Item	Specification		
	-30 to 85°C	25±2°C	typ.
Isolation			
1) 843 to 870 MHz	41 dB min.	41 dB min.	43 dB
2) 898 to 925 MHz	51 dB min.	51 dB min.	54 dB

SAW FILTER FOR J-CDMA

Murata part number :SAYEV856MAD0F00[Tx →Rx]

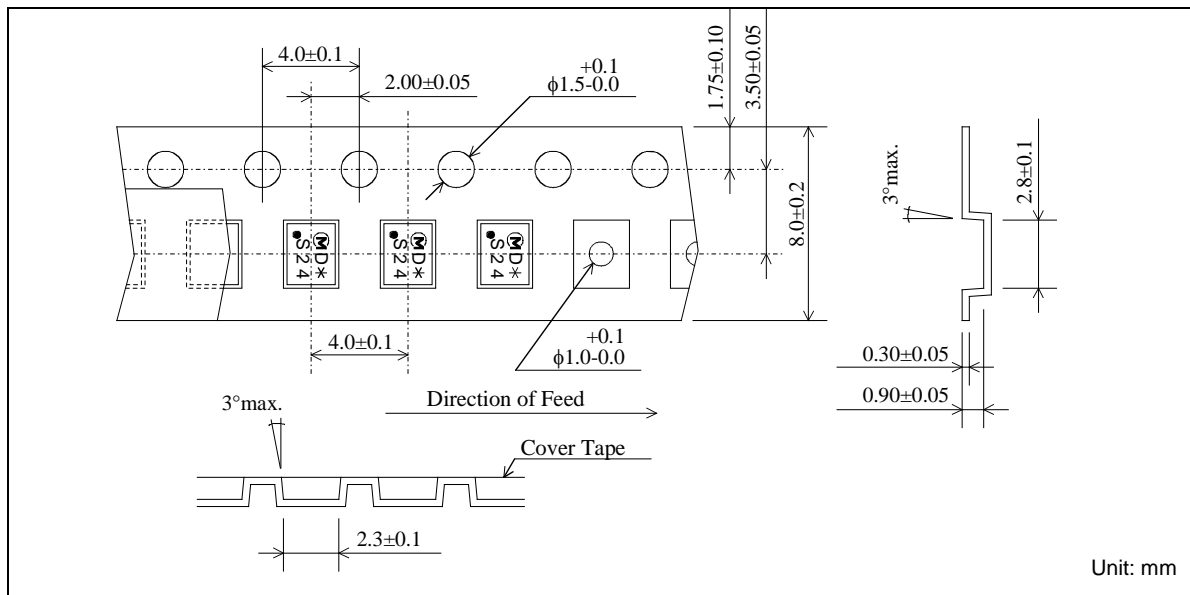
Frequency Performance



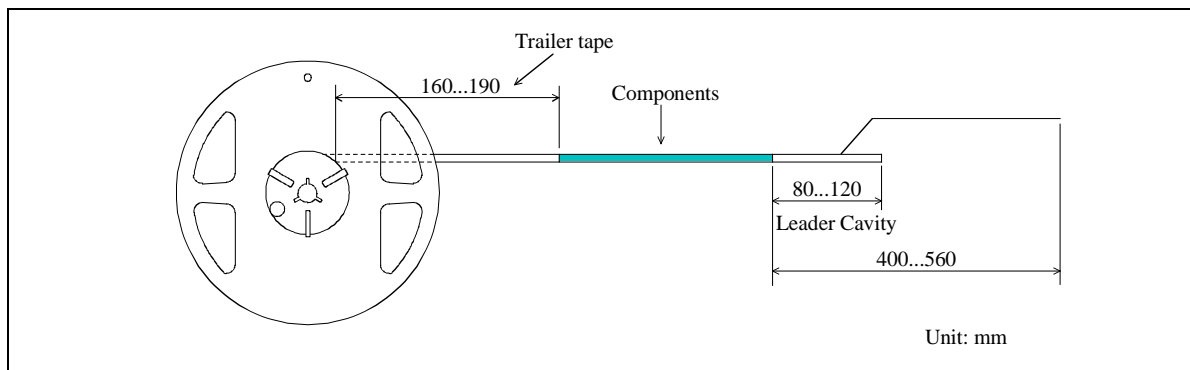
SAW FILTER FOR J-CDMA

Murata part number :SAYEV856MAD0F00

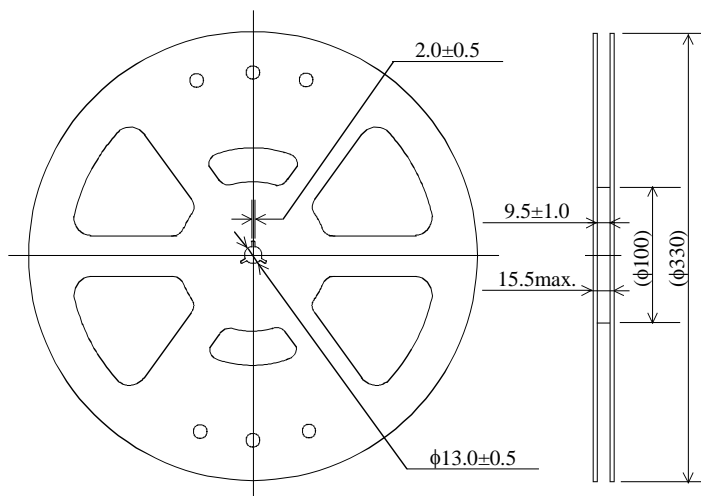
Dimensions of Carrier Tape



Dimensions of Tape



Dimensions of Reel



SAYEV856MAD0F00R00 ... 10000pcs/reel
SAYEV856MAD0F00R05 ... 5000pcs/reel

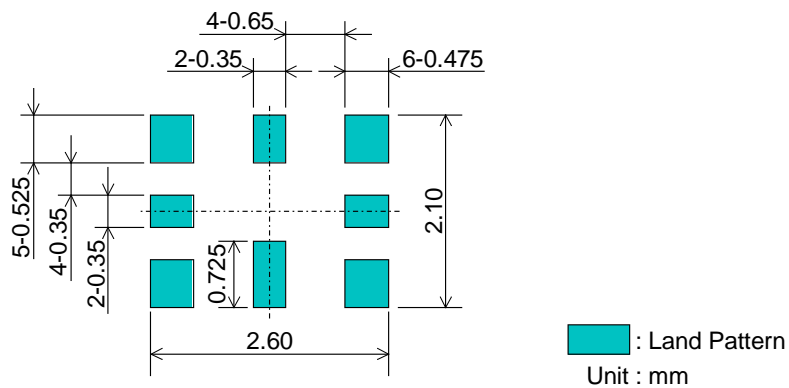
Unit: mm

SAW FILTER FOR J-CDMA

Murata part number :SAYEV856MAD0F00

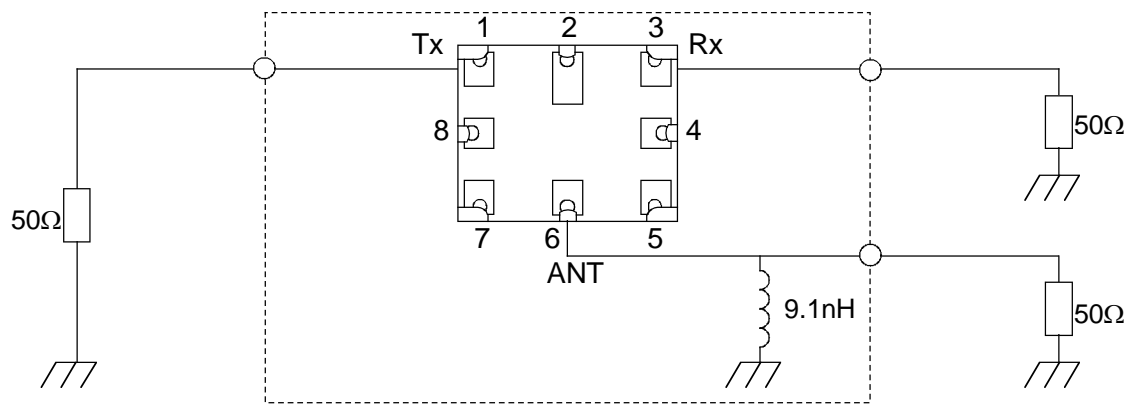
Recommended Land Pattern

Top View



Test Circuit

Bottom View



SAW FILTER FOR J-CDMA

■ RoHS Compliance

This component is compliant with RoHS directive.

This component was always RoHS compliant from the first date of manufacture.

• Caution - Limitation of Applications

This product is intended for the following applications only; however, please do not use this product in these applications where defects might directly cause damage to a third party's life, body or property.

- a. Mobile Telephone
- b. Cordless phone (except for Automotive use)
- c. PC (Including Notebook PC, Netbook PC, Tablet)
- d. Game
- e. Camera (except for Business/security use)
- f. Set Top Box
- g. Electronic dictionary
- h. Digital audio equipment

• This catalog is for reference only and not an official product specification document, therefore, please review and approve our official product specification before ordering this product.