



Data Sheet of SAW Components



Note : Murata SAW Component is applicable for Cellular /Cordless phone (Terminal) relevant market only.
Please also read caution at the end of this document.

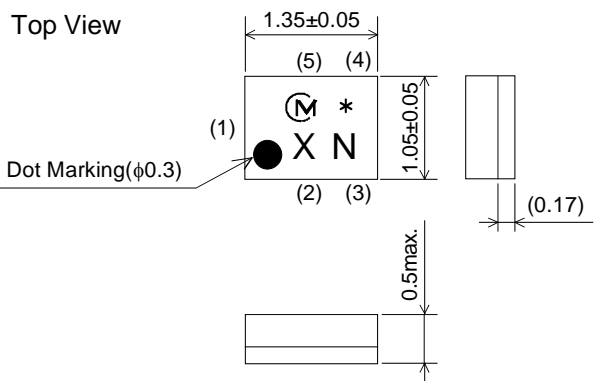
SAW FILTER FOR WLAN (2.4G)

Murata part number : SAFEA2G45AC0F55

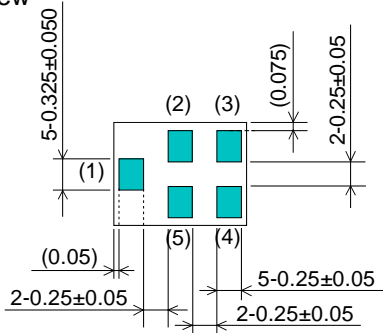
Package Dimensions

Specification

Top View



Bottom View



Marking
: Laser Printing

(1) : Unbalance Prot
(4) : Unbalance Prot
Others : Ground

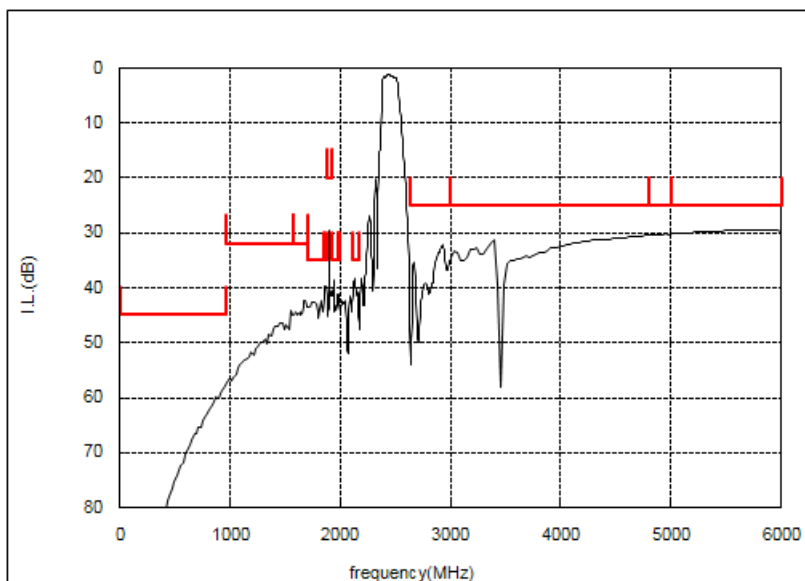
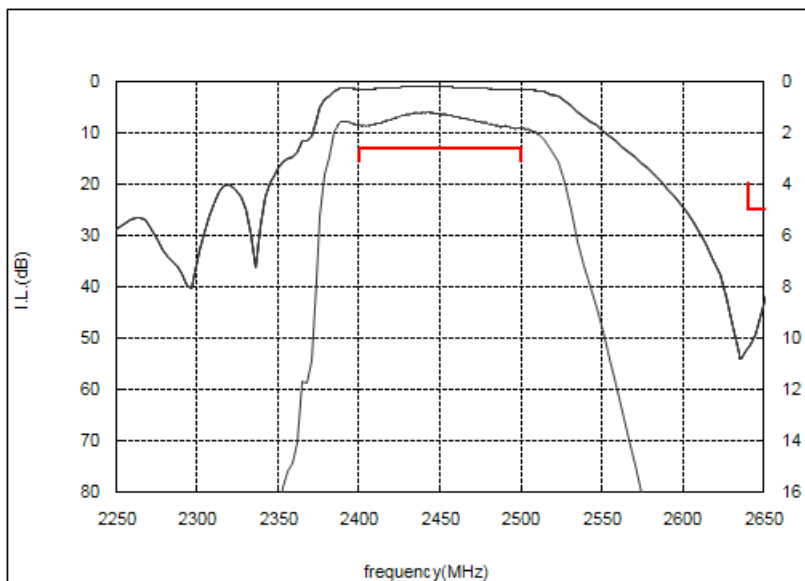
Unit : mm

Item	Specification		
	-30 to 85°C	25±2°C	typ.
Nominal Center Frequency(fc)	2450MHz		
Insertion Loss (2400 to 2500MHz)	2.6 dB max.	2.2 dB max.	1.7 dB
Absolute Attenuation			
1) 0.1 to 960 MHz	45 dB min.	45 dB min.	58 dB
2) 960 to 1570 MHz	32 dB min.	32 dB min.	45 dB
3) 1570 to 1580 MHz	32 dB min.	32 dB min.	45 dB
4) 1580 to 1710 MHz	32 dB min.	32 dB min.	43 dB
5) 1710 to 1850 MHz	35 dB min.	35 dB min.	43 dB
6) 1850 to 1880 MHz	35 dB min.	35 dB min.	40 dB
7) 1880 to 1920 MHz	20 dB min.	20 dB min.	28 dB
8) 1920 to 1980 MHz	35 dB min.	35 dB min.	38 dB
9) 1980 to 1990 MHz	35 dB min.	35 dB min.	38 dB
10) 2110 to 2170 MHz	35 dB min.	35 dB min.	40 dB
11) 2640 to 3000 MHz	25 dB min.	25 dB min.	32 dB
12) 3000 to 4800 MHz	25 dB min.	25 dB min.	29 dB
13) 4800 to 5000 MHz	25 dB min.	25 dB min.	29 dB
14) 5000 to 6000 MHz	25 dB min.	25 dB min.	28 dB
Ripple Deviation (2400 to 2500MHz)	1.4dB max.	1.4dB max.	0.4 dB
VSWR (2400 to 2500MHz)	2.4 max.	2.0 max.	1.4
Unbalance Port Matching Impedance (nominal)	Terminal Number(1): 50Ω//3.3nH Terminal Number(4): 50Ω//2.7nH		
Input Signal Level	+27dBm, 500 hours(*) +24dBm, 50000 hours(*) (*)Input signal shall be applied to Terminal number(4) through parallel inductance.		

SAW FILTER FOR WLAN (2.4G)

Murata part number : SAFEA2G45AC0F55

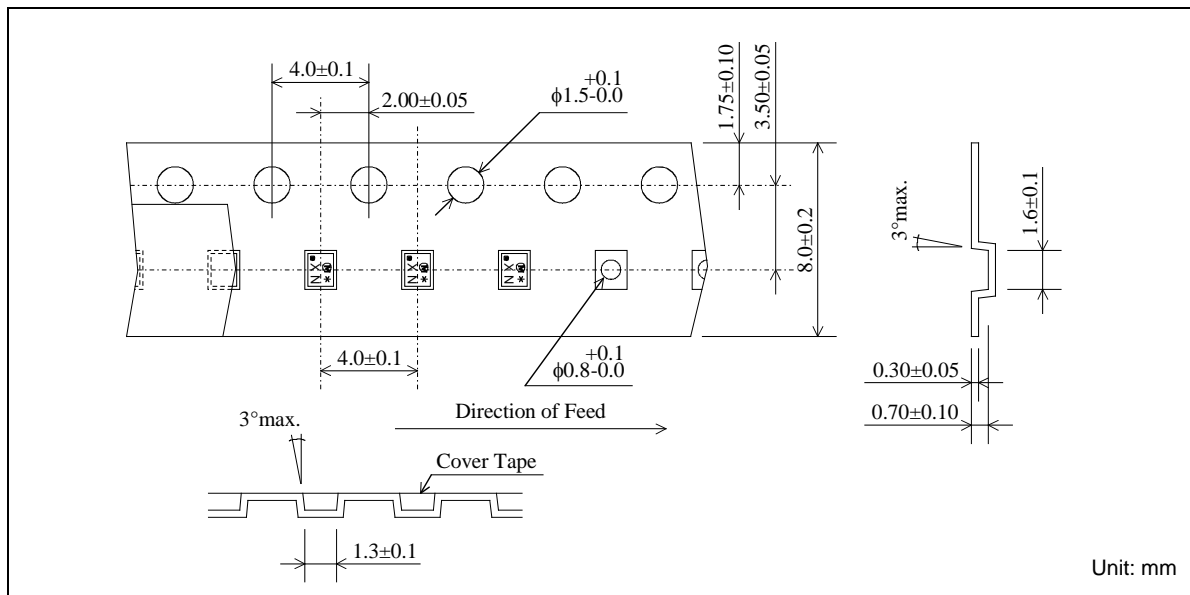
Frequency Performance



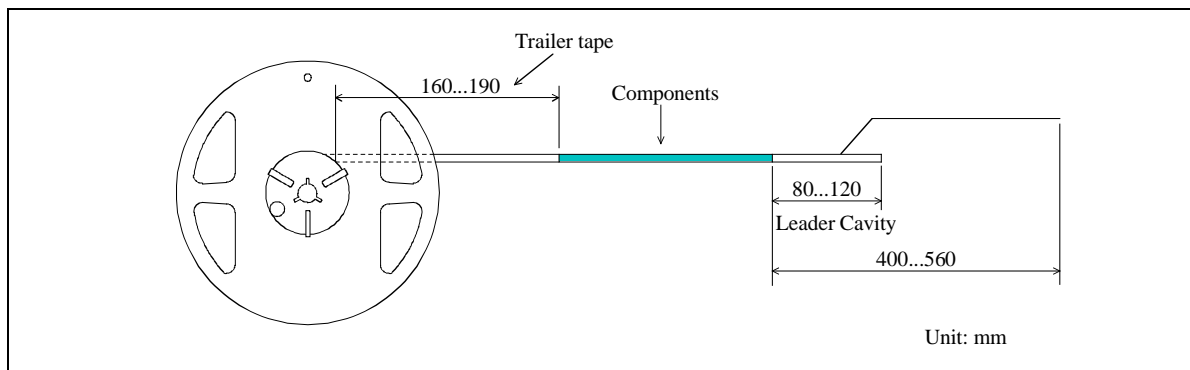
SAW FILTER FOR WLAN (2.4G)

Murata part number : SAFEA2G45AC0F55

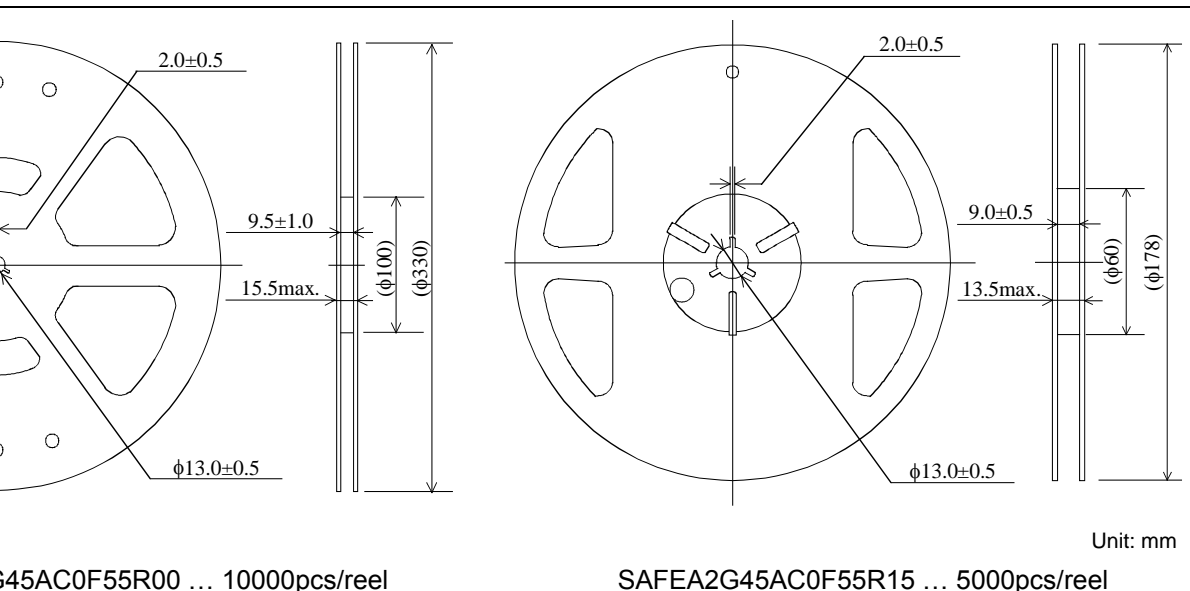
Dimensions of Carrier Tape



Dimensions of Tape



Dimensions of Reel



SAFEA2G45AC0F55R00 ... 10000pcs/reel

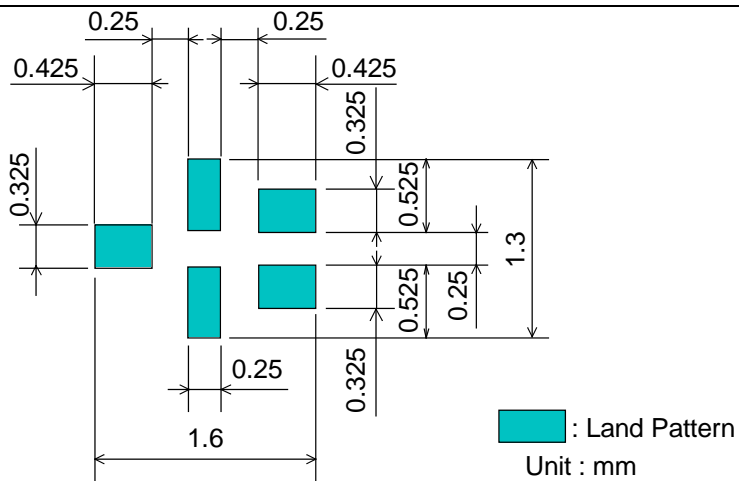
SAFEA2G45AC0F55R15 ... 5000pcs/reel

SAW FILTER FOR WLAN (2.4G)

Murata part number : SAFEA2G45AC0F55

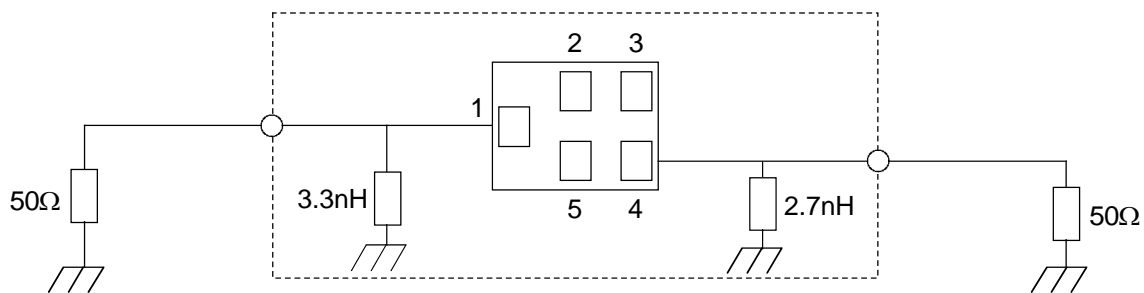
Recommended Land Pattern

Top View



Test Circuit

Bottom View



SAW FILTER FOR WLAN (2.4G)

Murata part number : SAFEA2G45AC0F55

■ RoHS Compliance

This component is compliant with RoHS directive.

This component was always RoHS compliant from the first date of manufacture.

• Caution - Limitation of Applications

This product is intended for the following applications only; however, please do not use this product in these applications where defects might directly cause damage to a third party's life, body or property.

- a. Mobile Telephone
- b. Cordless phone (except for Automotive use)
- c. PC (Including Notebook PC, Netbook PC, Tablet)
- d. Game
- e. Camera (except for Business/security use)
- f. Set Top Box
- g. Electronic dictionary
- h. Digital audio equipment

• This catalog is for reference only and not an official product specification document, therefore, please review and approve our official product specification before ordering this product.