



Data Sheet of SAW Components

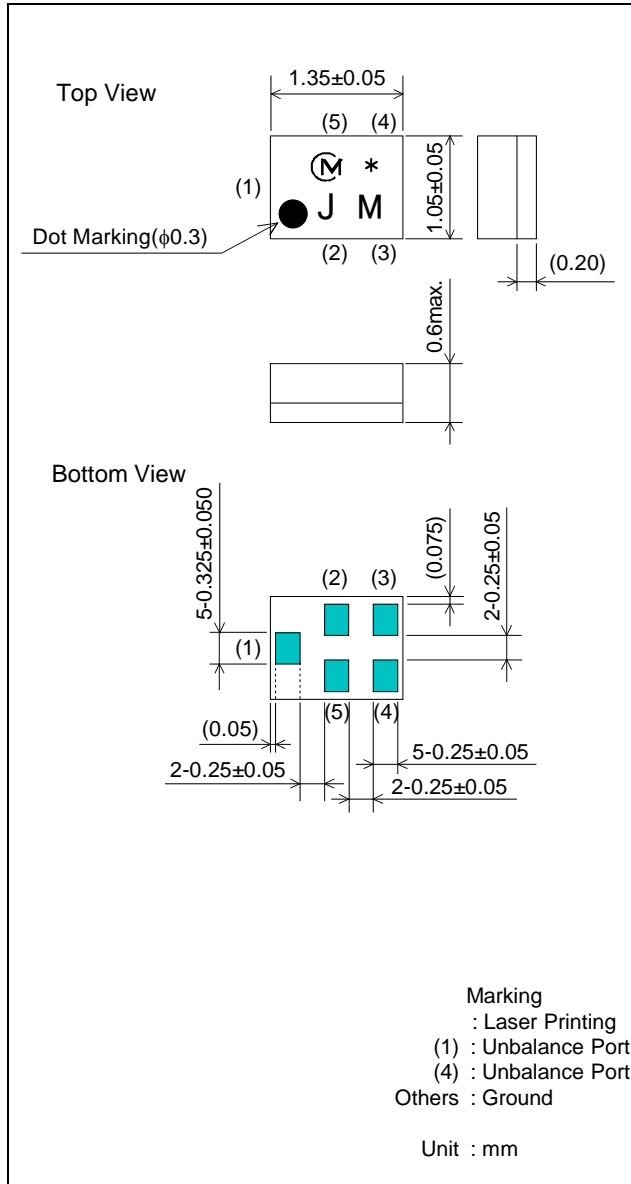


Note : Murata SAW Component is applicable for Cellular /Cordless phone (Terminal) relevant market only.
Please also read caution at the end of this document.

SAW FILTER FOR GPS

Murata part number :SAFEB1G57KC0F00

Package Dimensions



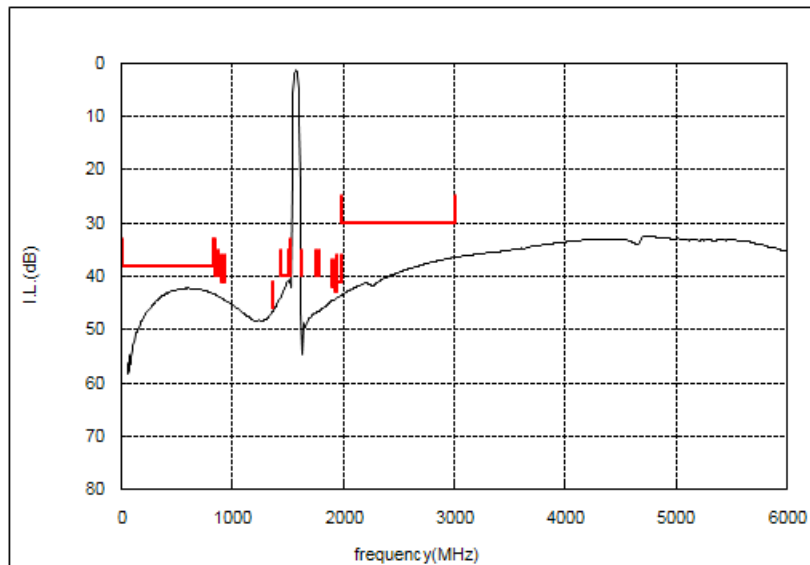
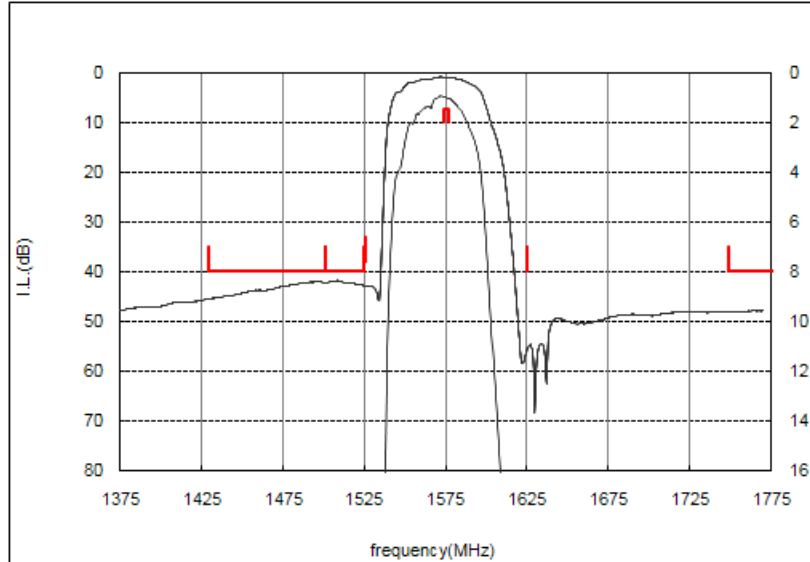
Specification

Item	Specification		
	-30 to 85°C	25±2°C	typ.
Nominal Center Frequency(fc)	1575.5MHz		
Insertion Loss (1574 to 1577MHz)	1.5 dB max.	1.4 dB max.	1.1 dB
Absolute Attenuation			
1) 0.1 to 824 MHz	38 dB min.	38 dB min.	41 dB
2) 824 to 843 MHz	38 dB min.	38 dB min.	42 dB
3) 843 to 870 MHz	40 dB min.	40 dB min.	42 dB
4) 898 to 925 MHz	41 dB min.	41 dB min.	43 dB
5) 1355.25 MHz	46 dB min.	46 dB min.	51 dB
6) 1429 to 1501 MHz	40 dB min.	40 dB min.	43 dB
7) 1501 to 1525 MHz	40 dB min.	40 dB min.	43 dB
8) 1525.42 MHz	38 dB min.	38 dB min.	44 dB
9) 1625.42 MHz	40 dB min.	40 dB min.	58 dB
10) 1749 to 1785 MHz	40 dB min.	40 dB min.	49 dB
11) 1893 to 1920 MHz	42 dB min.	42 dB min.	48 dB
12) 1920 to 1940 MHz	43 dB min.	43 dB min.	48 dB
13) 1940 to 1980 MHz	41 dB min.	41 dB min.	47 dB
14) 1980 to 3000 MHz	30 dB min.	30 dB min.	38 dB
Ripple Deviation (1575.4 to 1577.4MHz)	0.5dB max.	0.4dB max.	0.07 dB
VSWR (1575.4 to 1577.4MHz)	1.5 max.	1.5 max.	1.1
Unbalance Port Matching Impedance (nominal)	50Ω		
Input Signal Level	20mW (+13dBm), 2000 hours		

SAW FILTER FOR GPS

Murata part number :SAFEB1G57KC0F00

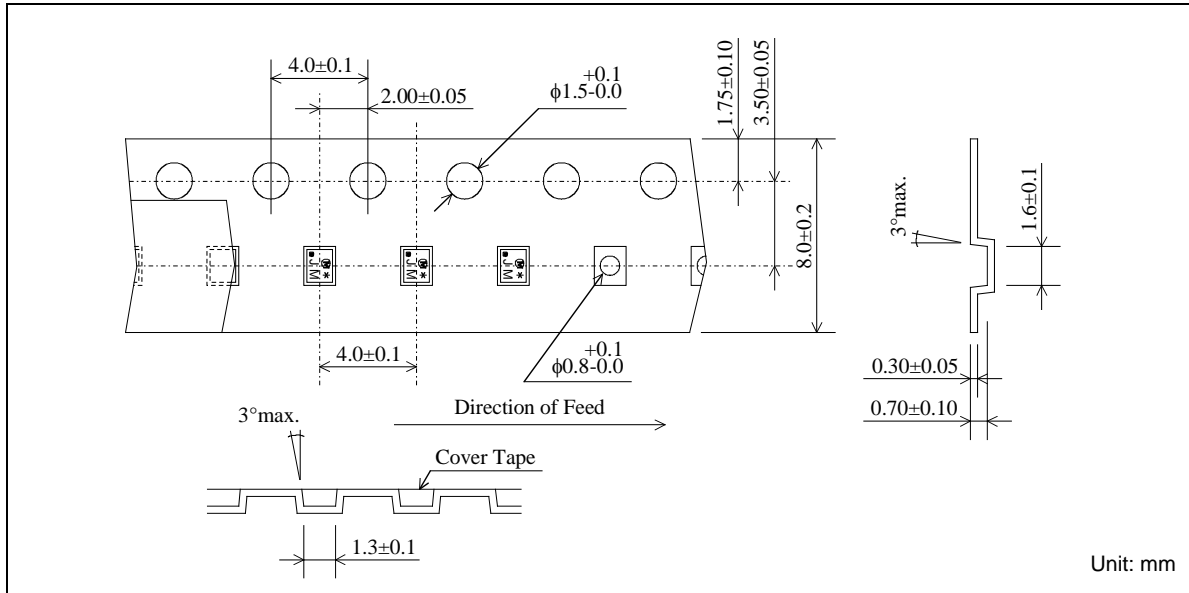
■ Frequency Performance



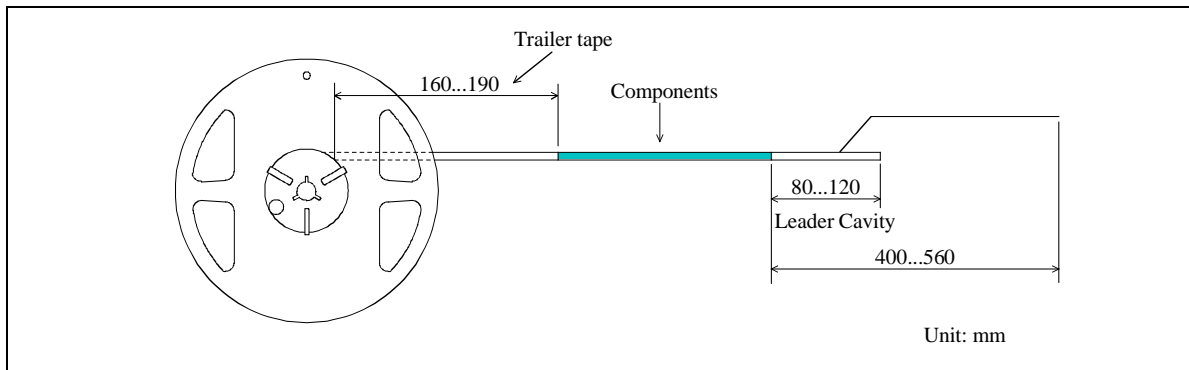
SAW FILTER FOR GPS

Murata part number :SAFEB1G57KC0F00

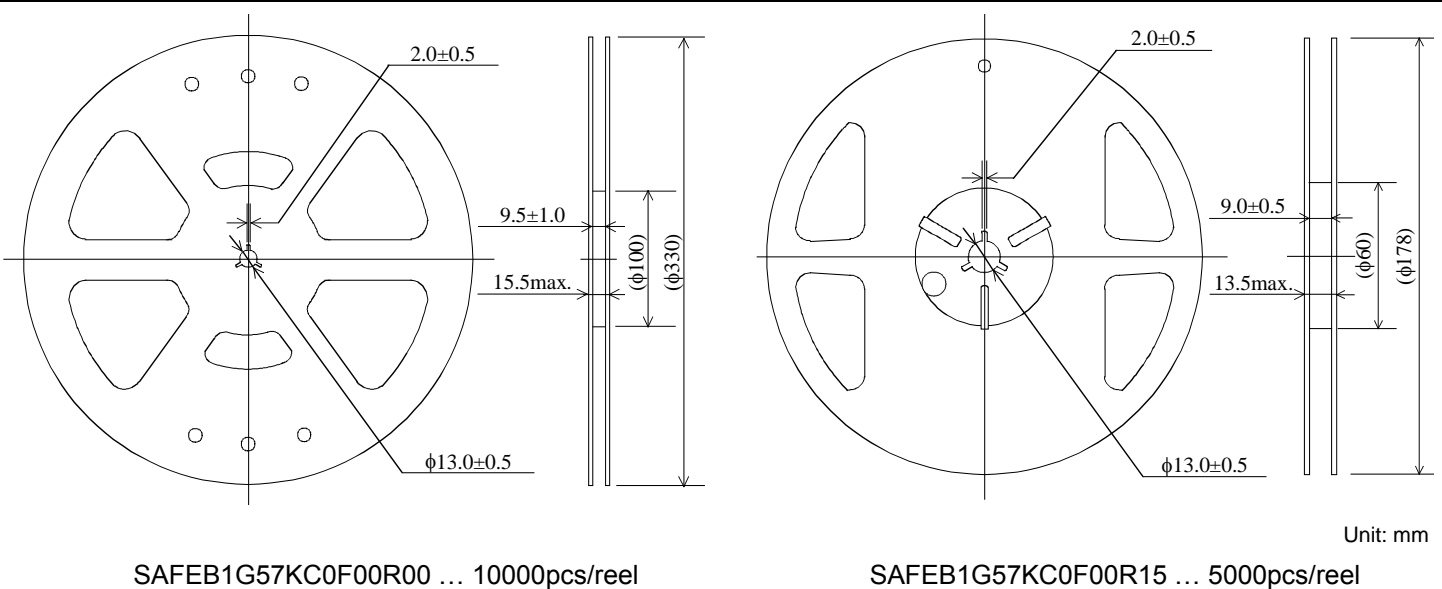
Dimensions of Carrier Tape



Dimensions of Tape



Dimensions of Reel



SAFEB1G57KC0F00R00 ... 10000pcs/reel

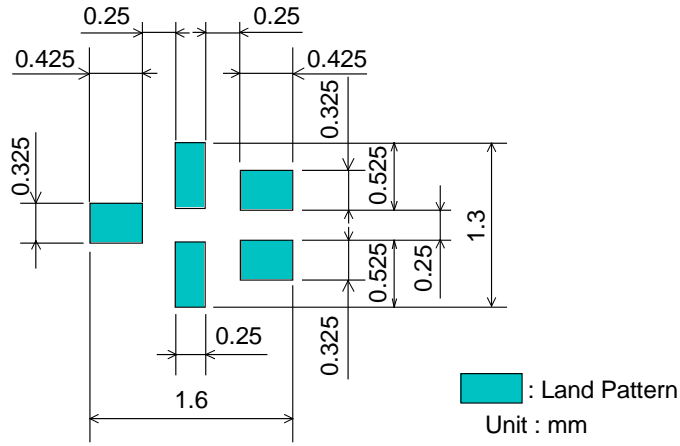
SAFEB1G57KC0F00R15 ... 5000pcs/reel

SAW FILTER FOR GPS

Murata part number :SAFEB1G57KC0F00

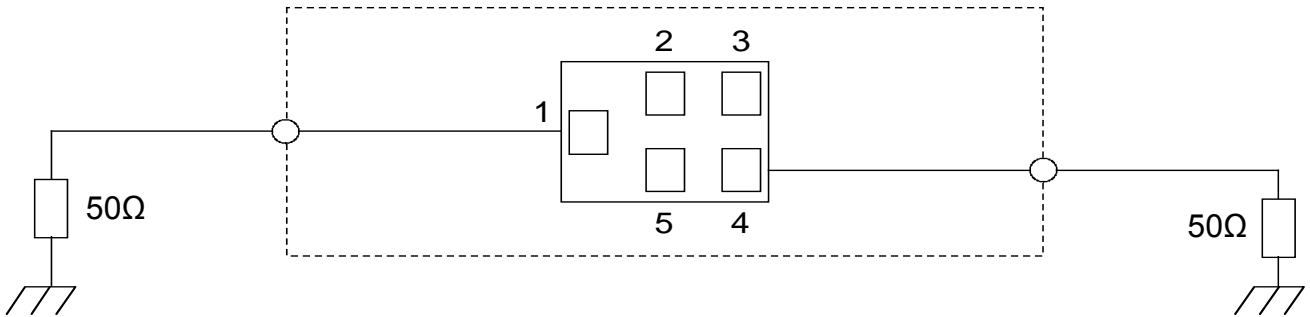
Recommended Land Pattern

Top View



Test Circuit

Bottom View



SAW FILTER FOR GPS

Murata part number :SAFEB1G57KC0F00

■ RoHS Compliance

This component is compliant with RoHS directive.

This component was always RoHS compliant from the first date of manufacture.

• Caution - Limitation of Applications

This product is intended for the following applications only; however, please do not use this product in these applications where defects might directly cause damage to a third party's life, body or property.

- a. Mobile Telephone
- b. Cordless phone (except for Automotive use)
- c. PC (Including Notebook PC, Netbook PC, Tablet)
- d. Game
- e. Camera (except for Business/security use)
- f. Set Top Box
- g. Electronic dictionary
- h. Digital audio equipment

• This catalog is for reference only and not an official product specification document, therefore, please review and approve our official product specification before ordering this product.