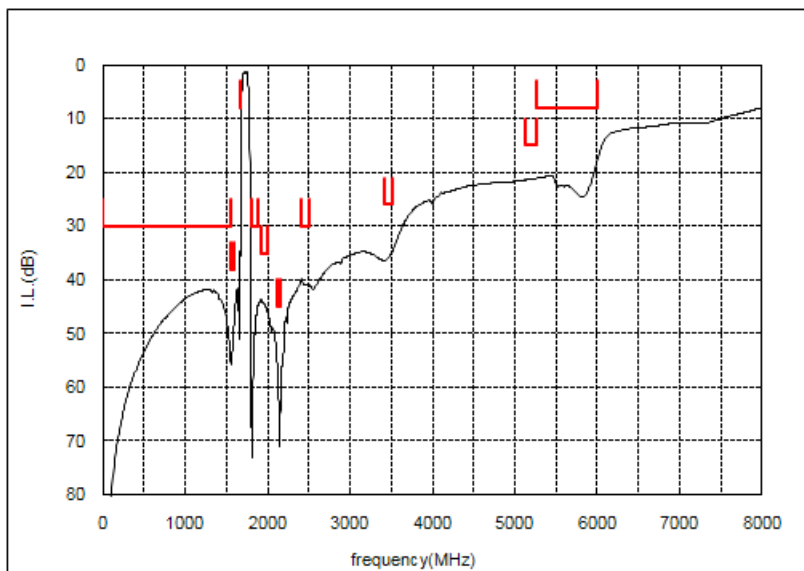
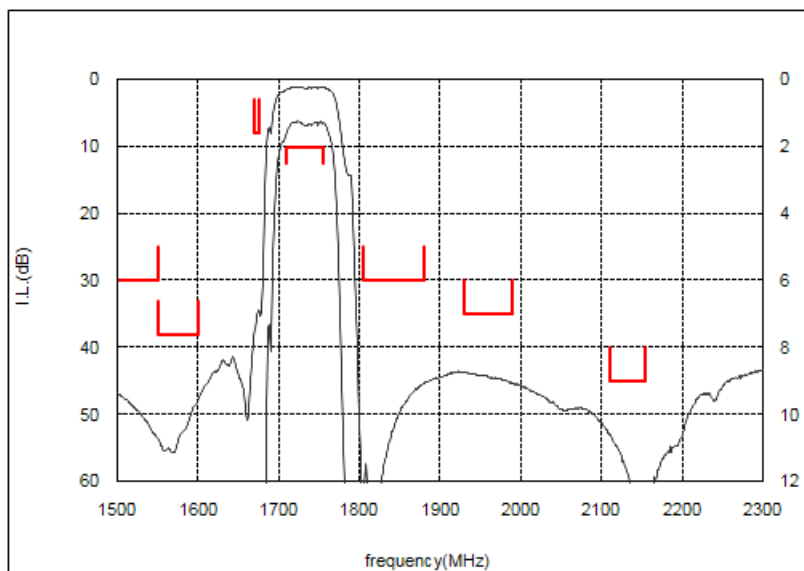




# SAW DPX FOR WCDMA Band4 LR type

Murata part number :SAYZY1G73FA0F00 [Tx →ANT]

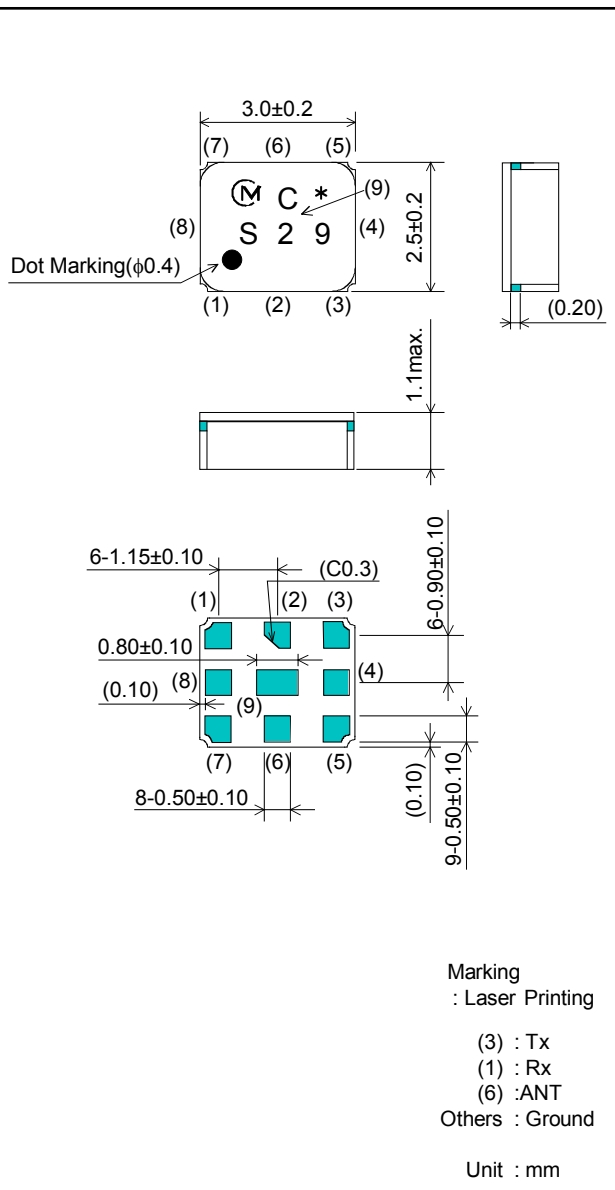
## Frequency Performance



# SAW DPX FOR WCDMA Band4 LR type

Murata part number :SAYZY1G73FA0F00 [ANT→Rx]

## Package Dimensions



## Specification

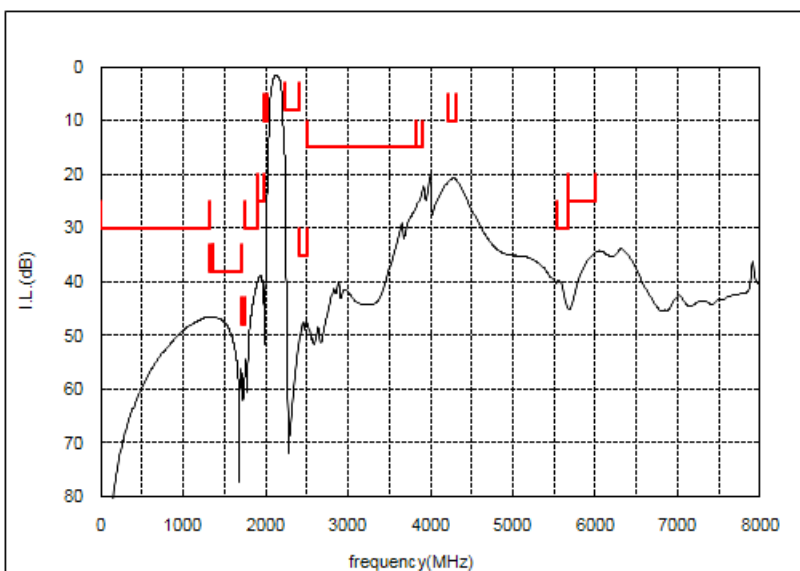
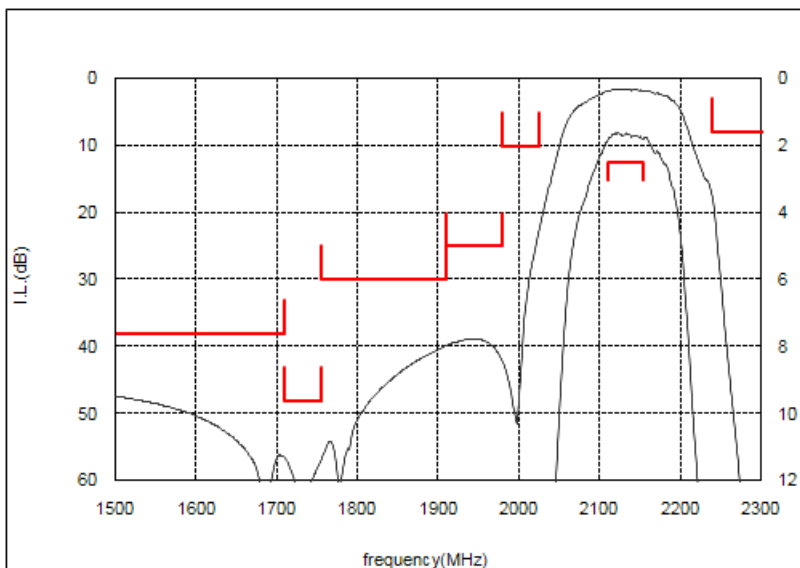
Item	Specification	
	-30 to 85°C	typ.
Nominal Center Frequency(fc)	2132.5MHz	
Insertion Loss (2110to 2155MHz)	2.5 dB max.	2.0 dB
Absolute Attenuation		
1) 0.3 to 1310 MHz	30 dB min.	46 dB
2) 1310 to 1355 MHz	38 dB min.	46 dB
3) 1355 to 1710 MHz	38 dB min.	46 dB
4) 1710 to 1755 MHz	48 dB min.	54 dB
5) 1755 to 1910 MHz	30 dB min.	40 dB
6) 1910 to 1980 MHz	25 dB min.	39 dB
7) 1980 to 2025 MHz	10 dB min.	20 dB
8) 2240 to 2400 MHz	8 dB min.	16 dB
9) 2400 to 2500 MHz	35 dB min.	47 dB
10) 2500 to 3820 MHz	15 dB min.	27 dB
11) 3820 to 3910 MHz	15 dB min.	23 dB
12) 4220 to 4310 MHz	10 dB min.	21 dB
13) 5530 to 5665 MHz	30 dB min.	39 dB
14) 5665 to 6000 MHz	25 dB min.	35 dB
Ripple Deviation (2110 to 2155MHz)	1.0 dB max.	0.3 dB
Any 3.84MHz Ripple Deviation (2110 to 2155MHz)	0.5 dB max.	0.2 dB
VSWR (2110 to 2155MHz Ant)	2.0 max.	1.5
(2110 to 2155MHz Rx)	2.0 max.	1.7
Ant Port Matching Impedance(nominal)	50Ω	
Tx Port Matching Impedance(nominal)	50Ω	
Rx Port Matching Impedance(nominal)	50Ω	

# SAW DPX FOR WCDMA Band4 LR type

Murata part number :SAYZY1G73FA0F00

[ANT → Rx]

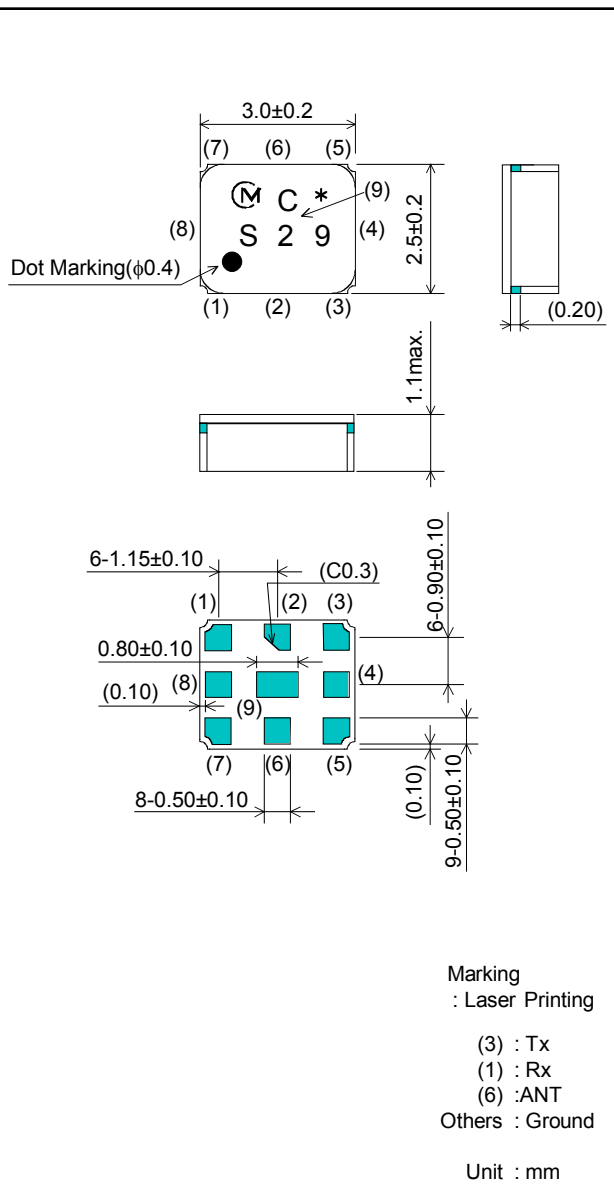
## Frequency Performance



# SAW DPX FOR WCDMA Band4 LR type

Murata part number :SAYZY1G73FA0F00 [Tx →Rx]

## Package Dimensions



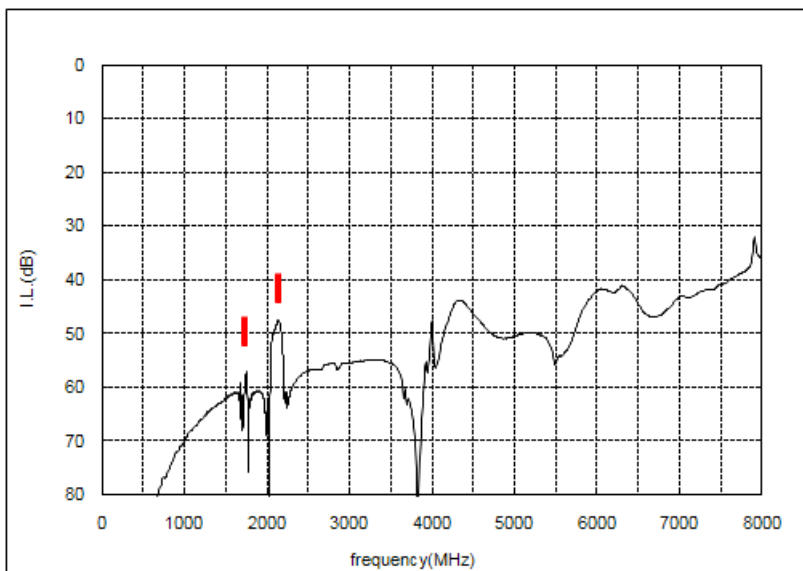
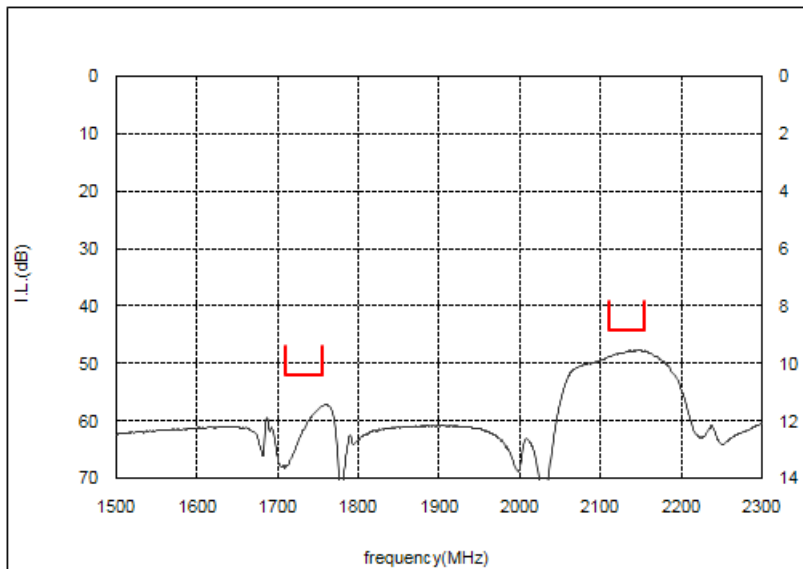
## Specification

Item	Specification	
	-30 to 85°C	typ.
Isolation		
1) 1710 to 1755 MHz	52 dB min.	54 dB
2) 2110 to 2155 MHz	44 dB min.	46 dB

# SAW DPX FOR WCDMA Band4 LR type

Murata part number :SAYZY1G73FA0F00 [Tx → Rx]

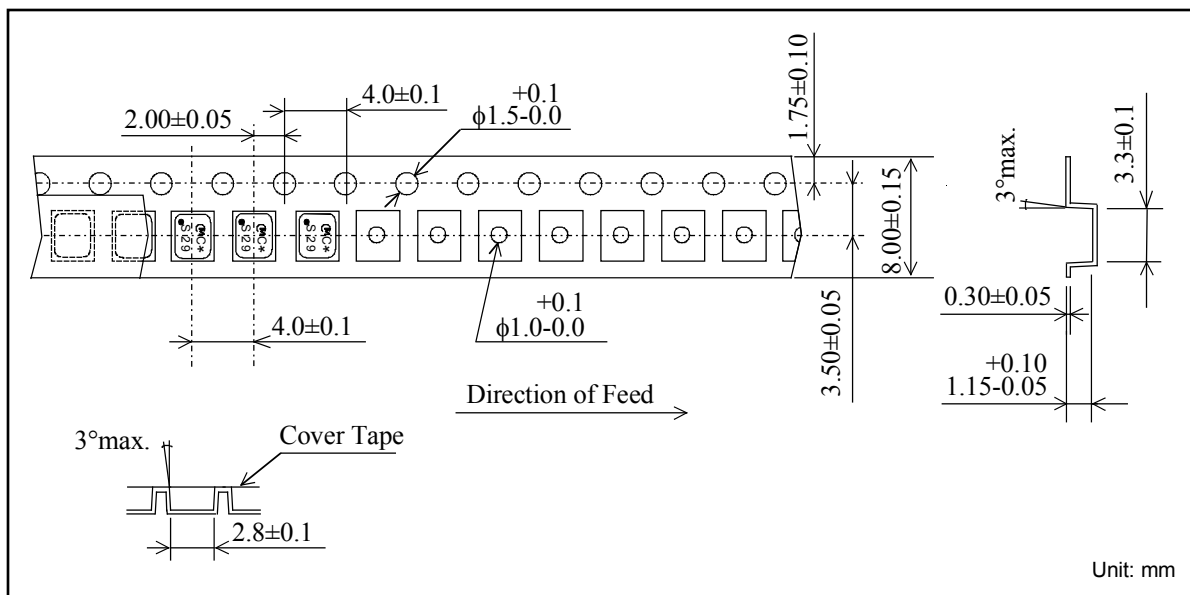
## Frequency Performance



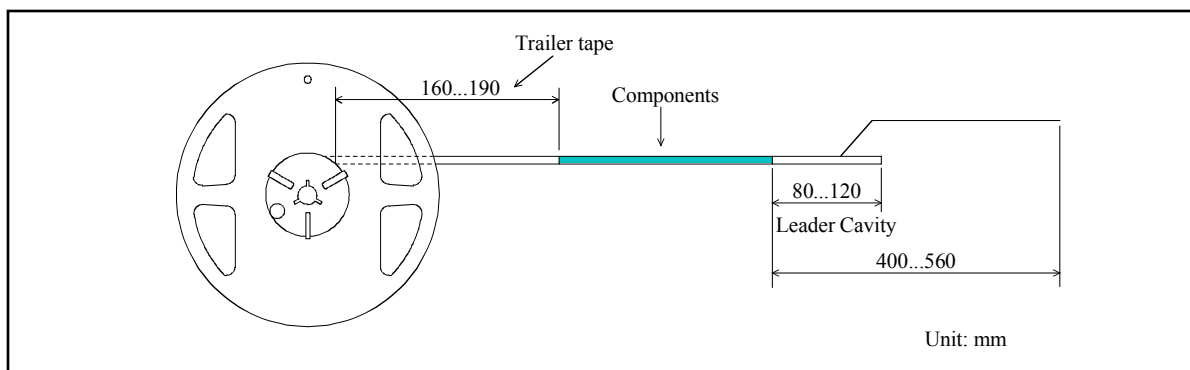
# SAW DPX FOR WCDMA Band4 LR type

Murata part number :SAYZY1G73FA0F00

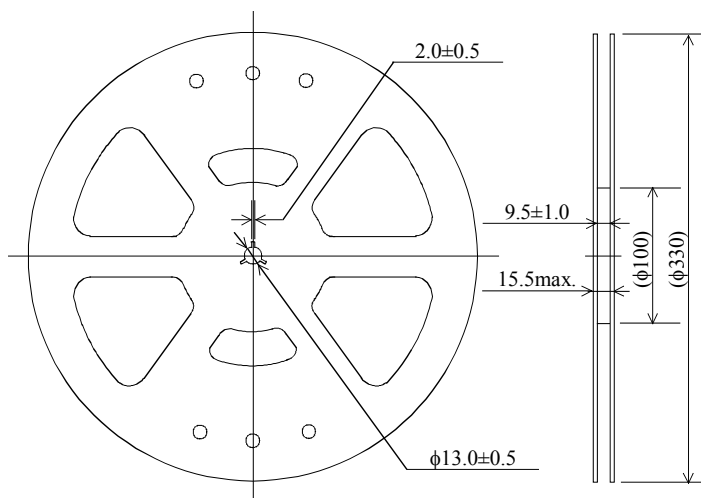
## Dimensions of Carrier Tape



## Dimensions of Tape



## Dimensions of Reel

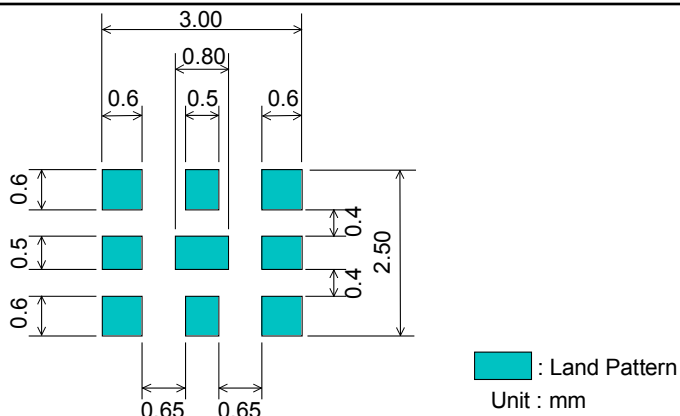


SAYZY1G73FA0F00R00 ... 10000pcs/reel  
SAYZY1G73FA0F00R05 ... 5000pcs/reel

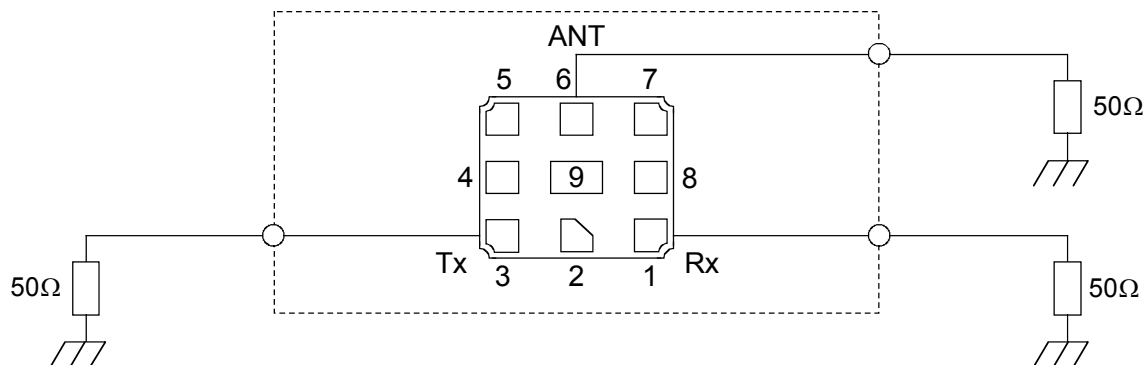
# SAW DPX FOR WCDMA Band4 LR type

Murata part number :SAYZY1G73FA0F00

## Recommended Land Pattern



## Test Circuit



- This PDF Datasheet is downloaded from the website of Murata Manufacturing Co., Ltd. Therefore, it's specifications are subject to change or our products in it may be discontinued without advance notice. Please check with our sales representatives or product engineers before ordering.
- This PDF Datasheet has only typical specifications because there is no space for detailed specifications. Therefore, please approve our product specifications or transact the approval sheet for product specifications before ordering.