



Data Sheet of SAW Components



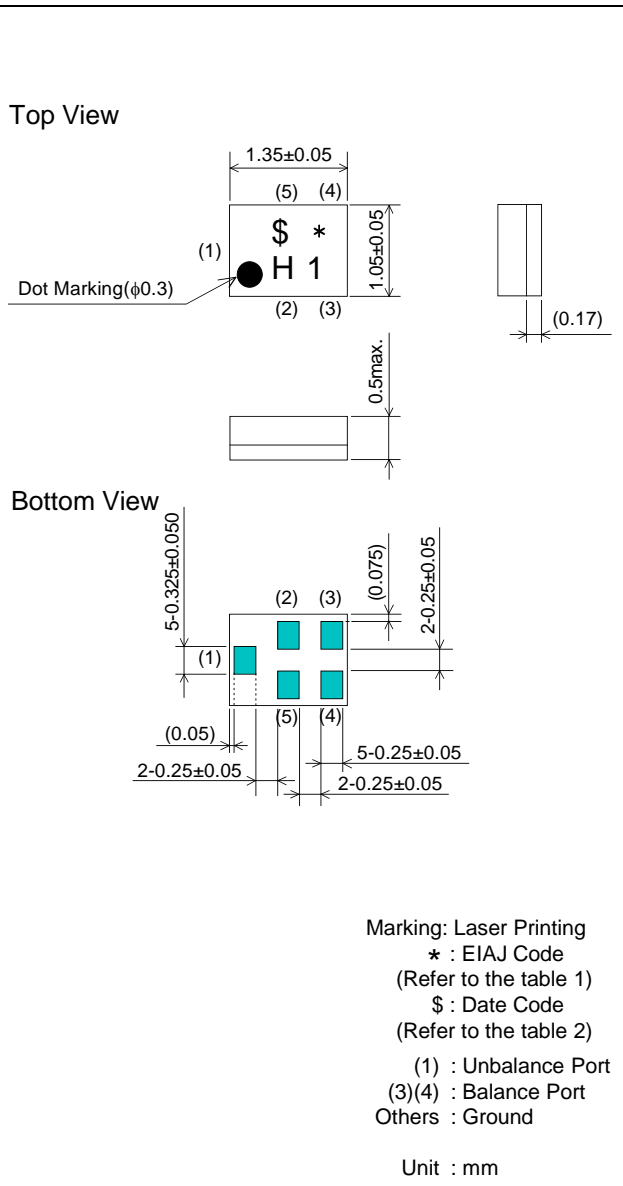
Note : Murata SAW Component is applicable for Cellular /Cordless phone (Terminal) relevant market only.
Please also read caution at the end of this document.

SAW FILTER FOR Band7 Rx

Murata part number : SAFEA2G65FN0F00

■ Package Dimensions

■ Specification

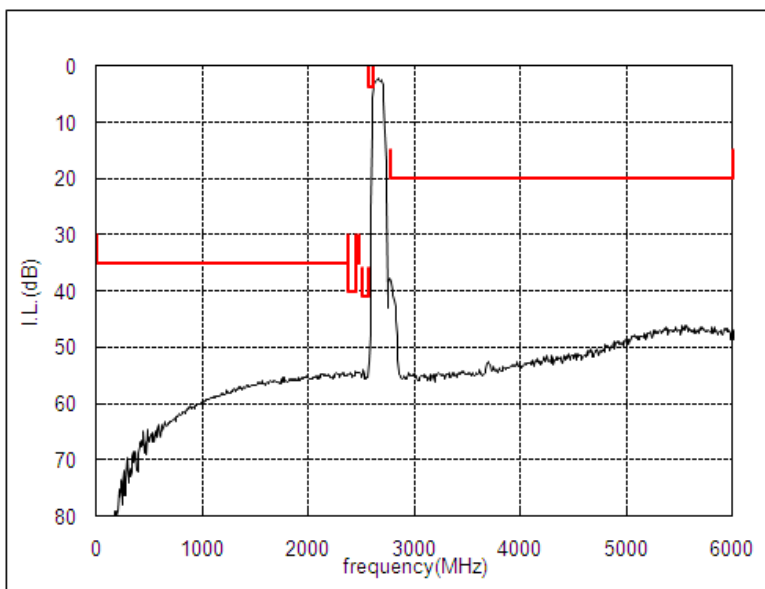
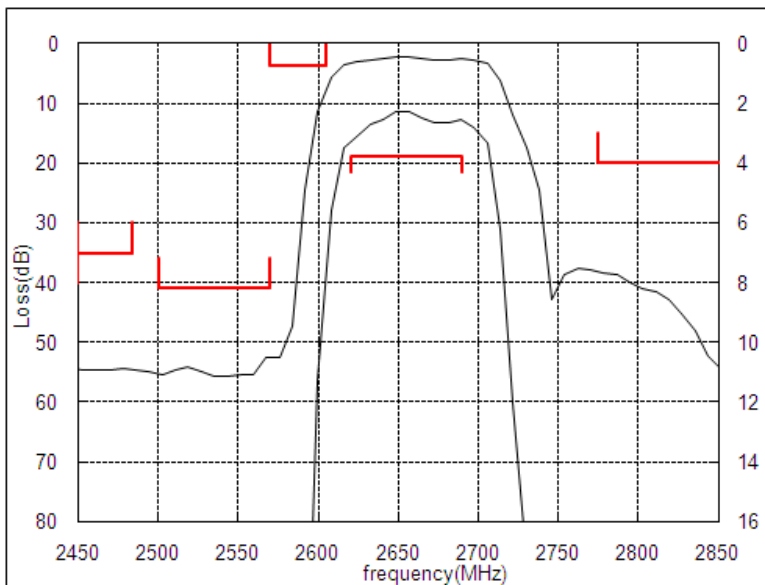


Item	Specification		
	-30 to 85°C	25±2°C	typ.
Nominal Center Frequency(fc)	2655MHz		
Insertion Loss (2620 to 2690 MHz)	3.8 dB max.	3.6 dB max.	3.3 dB
Absolute Attenuation			
1) 1 to 2380 MHz	35 dB min.	35 dB min.	57 dB
2) 2380 to 2450 MHz	40 dB min.	40 dB min.	60 dB
3) 2450 to 2484 MHz	35 dB min.	35 dB min.	60 dB
4) 2500 to 2570 MHz	41 dB min.	45 dB min.	53 dB
5) 2570 to 2605 MHz	3.8 dB min.	4.2 dB min.	7.1 dB
6) 2775 to 6000 MHz	20 dB min.	20 dB min.	38 dB
Ripple Deviation (2620 to 2690 MHz)	1.7 dB max.	1.5 dB max.	1.0 dB
VSWR (2620 to 2690 MHz)	2.3 max.	2.2 max.	1.9
Amplitude Balance (2620 to 2690 MHz)	±1.0dB max.	±1.0dB max.	0.6dB
Phase Balance (2620 to 2690 MHz)	180±11deg. max.	180±11deg. max.	180.0+7.2deg.
Unbalance Port Matching Impedance (nominal)	50Ω		
Balance Port Matching Impedance (nominal)	100Ω//22nH		
Input Signal Level	10mW (+10dBm), 8000 hours		

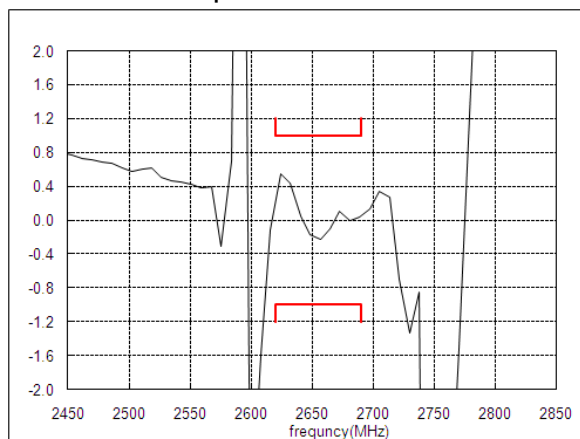
SAW FILTER FOR Band7 Rx

Murata part number : SAFEA2G65FN0F00

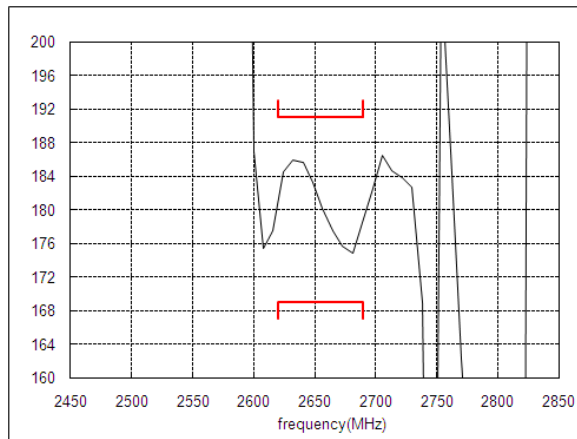
Frequency Performance



Amplitude balance



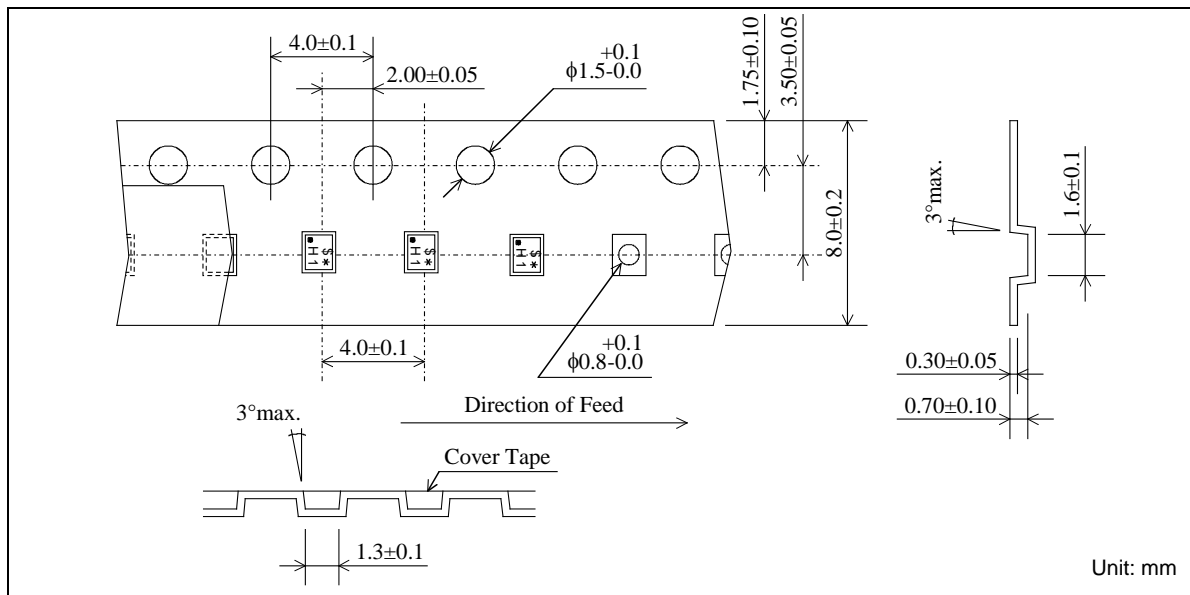
Phase balance



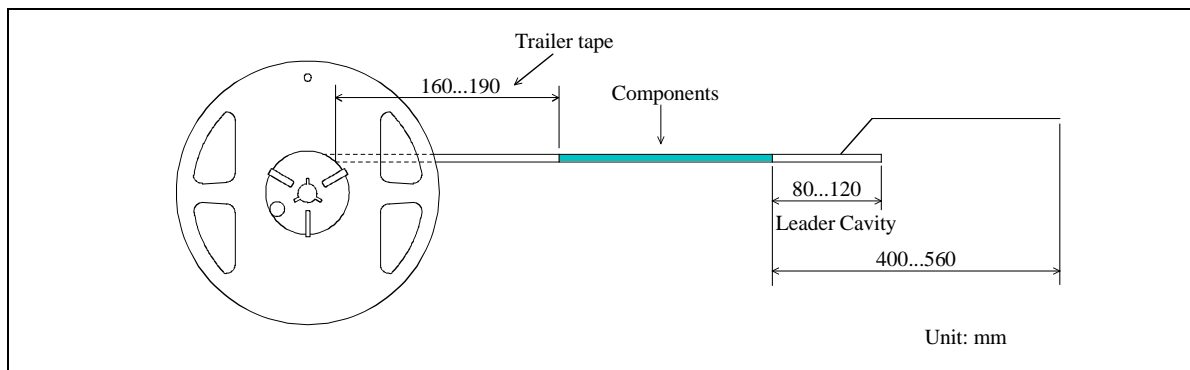
SAW FILTER FOR Band7 Rx

Murata part number : SAFEA2G65FN0F00

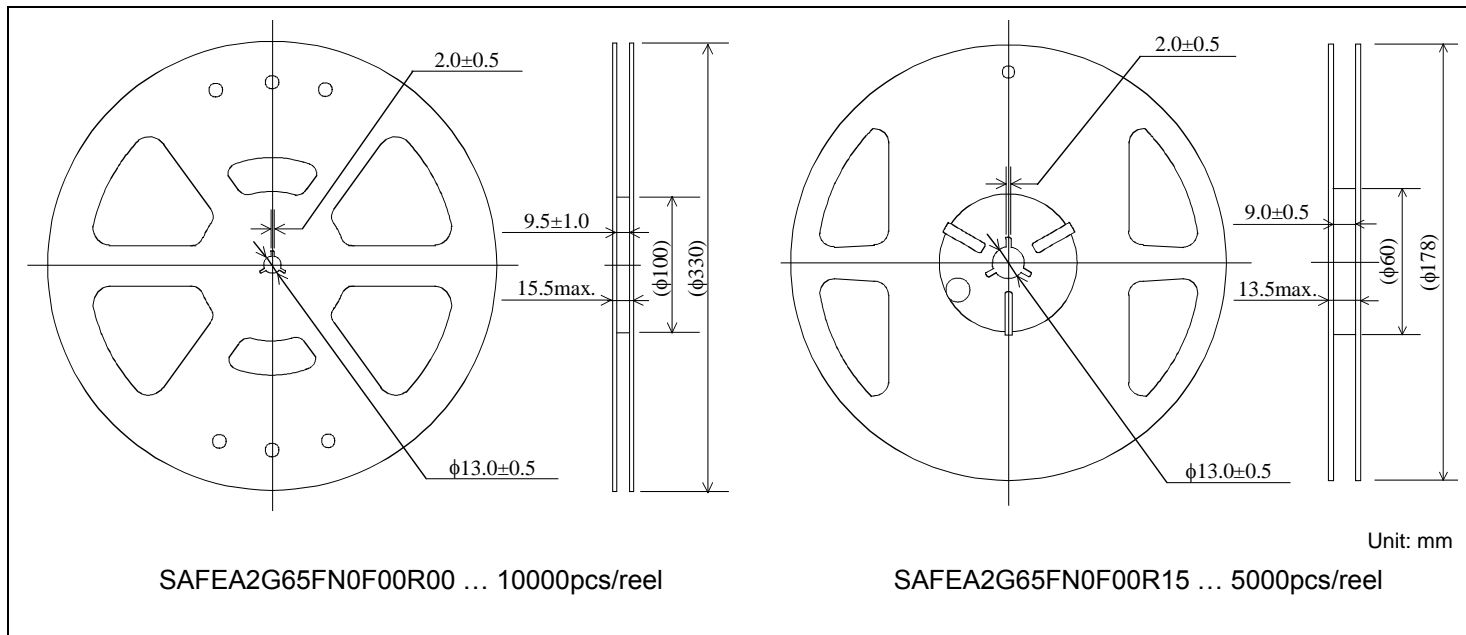
Dimensions of Carrier Tape



Dimensions of Tape



Dimensions of Reel



SAFEA2G65FN0F00R00 ... 10000pcs/reel

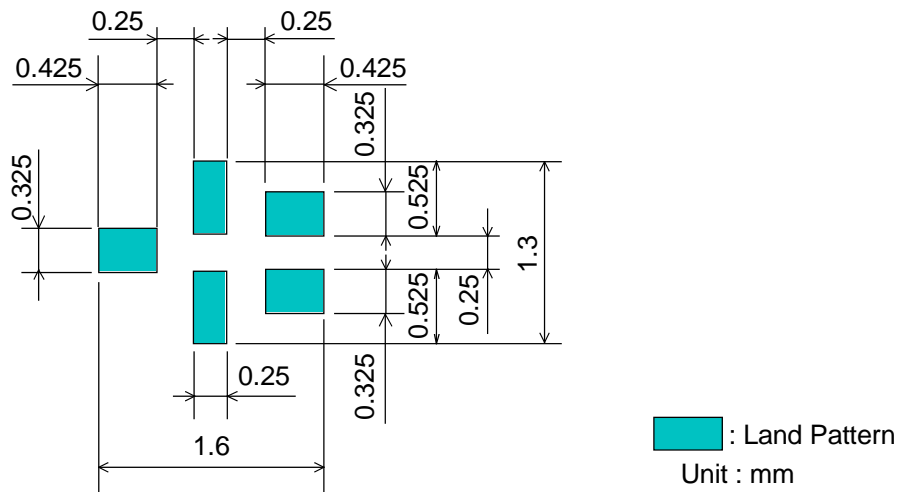
SAFEA2G65FN0F00R15 ... 5000pcs/reel

SAW FILTER FOR Band7 Rx

Murata part number : SAFEA2G65FN0F00

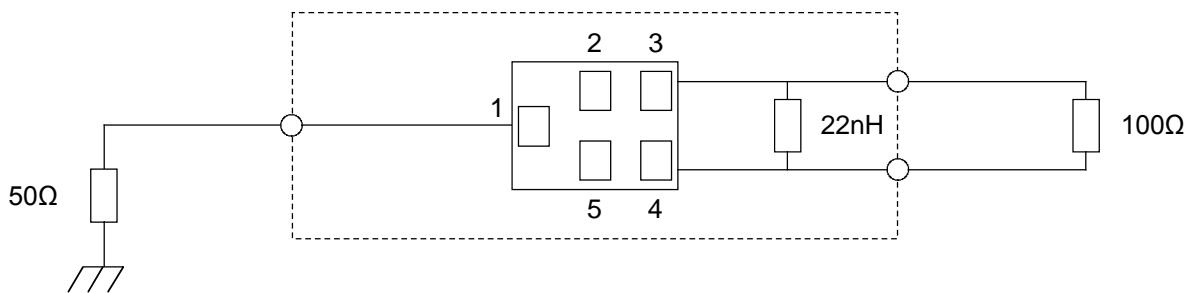
Recommended Land Pattern

Top View



Test Circuit

Bottom View



SAW FILTER FOR Band7 Rx

Murata part number : SAFEA2G65FN0F00

■ RoHS Compliance

This component is compliant with RoHS directive.

This component was always RoHS compliant from the first date of manufacture.

• **Caution - Limitation of Applications**
 This product is intended for the following applications only; however, please do not use this product in these applications where defects might directly cause damage to a third party's life, body or property.

- a. Mobile Telephone
- b. Cordless phone (except for Automotive use)
- c. PC (Including Notebook PC, Netbook PC, Tablet)
- d. Game
- e. Camera (except for Business/security use)
- f. Set Top Box
- g. Electronic dictionary
- h. Digital audio equipment

• This catalog is for reference only and not an official product specification document, therefore, please review and approve our official product specification before ordering this product.

■ Marking code

Table 1 * : EIAJ Code

This rule of code is applied repeatedly every four year.

2009 2013 2017	Jan.	Feb.	Mar.	Apr.	May	Jun.	Jul.	Aug.	Sep.	Oct.	Nov.	Dec.
	A	B	C	D	E	F	G	H	J	K	L	M
2010 2014 2018	Jan.	Feb.	Mar.	Apr.	May	Jun.	Jul.	Aug.	Sep.	Oct.	Nov.	Dec.
	N	P	Q	R	S	T	U	V	W	X	Y	Z
2011 2015 2019	Jan.	Feb.	Mar.	Apr.	May	Jun.	Jul.	Aug.	Sep.	Oct.	Nov.	Dec.
	a	b	c̄	d	e	f	g	h	j	k	l	m
2012 2016 2020	Jan.	Feb.	Mar.	Apr.	May	Jun.	Jul.	Aug.	Sep.	Oct.	Nov.	Dec.
	n	p	q	r	s	t	u	v	w	x	y	z

Table 2 \$: Date Code

date	1st	2nd	3rd	4th	5th	6th	7th	8th	9th	10th	
code	A	B	C	D	E	F	G	H	J	K	
date	11th	12th	13th	14th	15th	16th	17th	18th	19th	20th	
code	L	M	N	P	Q	R	S	T	U	V	
date	21st	22nd	23rd	24th	25th	26th	27th	28th	29th	30th	31st
code	W	X	Y	Z	a	b	c̄	d	e	f	g