



# Data Sheet of SAW Components



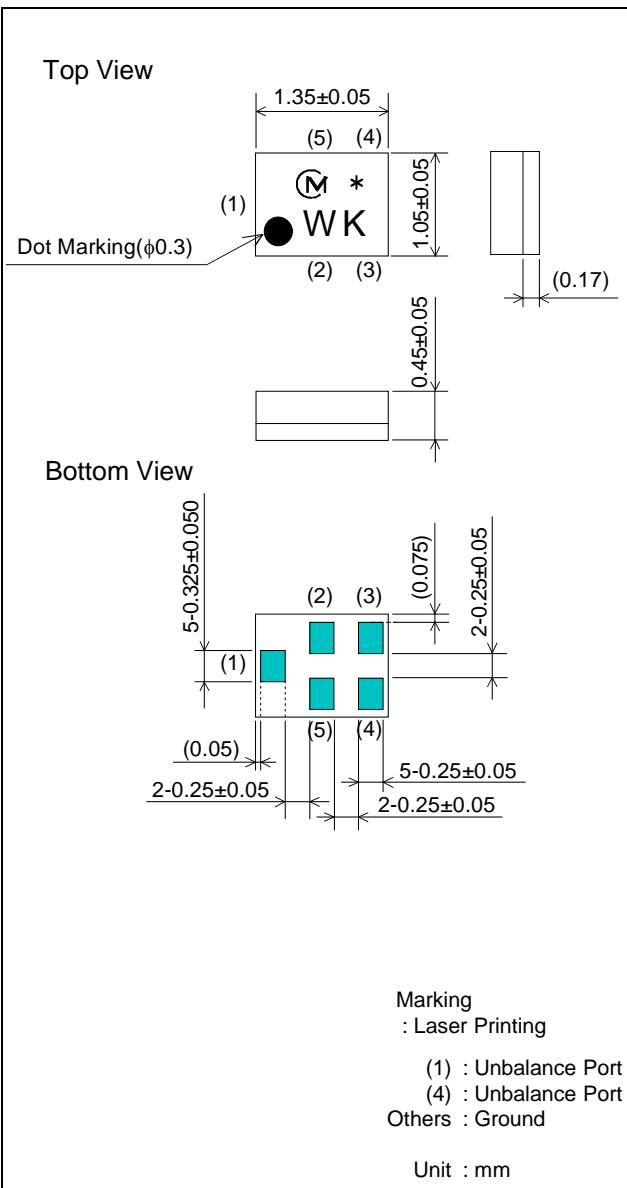
Note : Murata SAW Component is applicable for Cellular /Cordless phone (Terminal) relevant market only.

Please also read caution at the end of this document.

# SAW FILTER FOR GPS

Murata part number :SAFEA1G57KL0F00

## ■ Package Dimensions



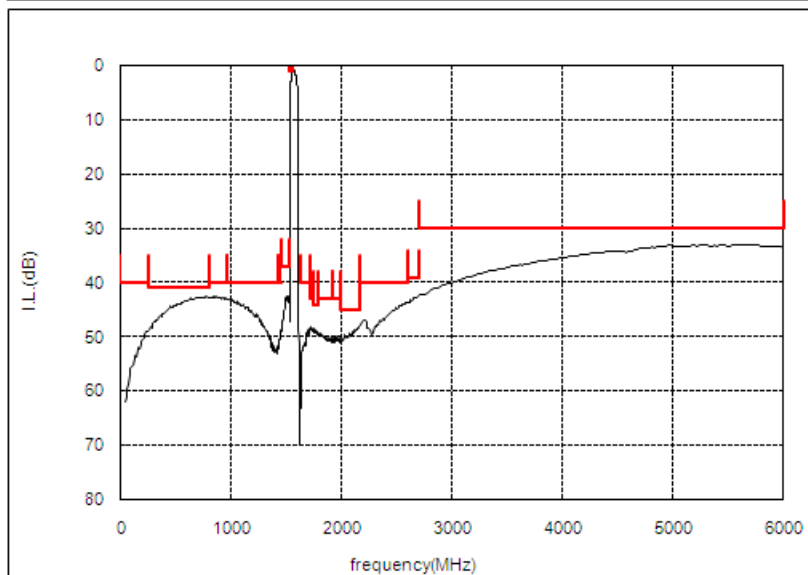
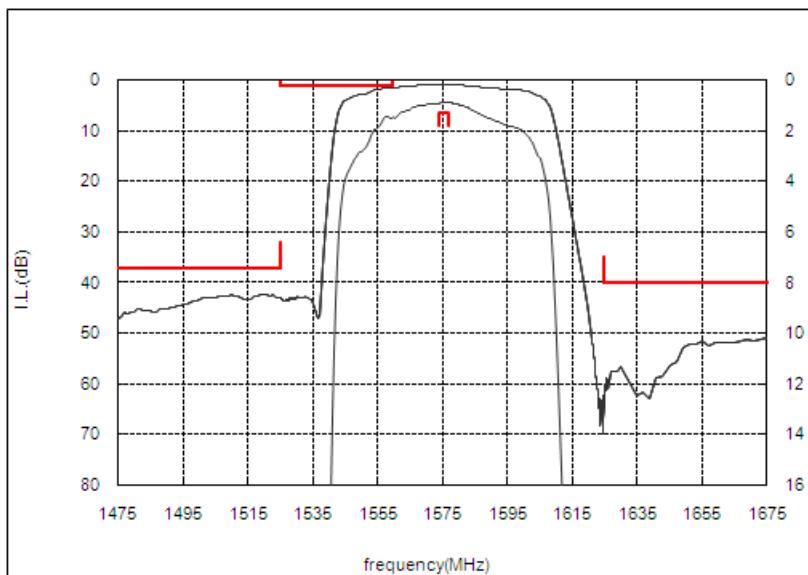
## ■ Specification

Item	Specification		
	-30 to 85°C	25±2°C	typ.
Nominal Center Frequency( $f_c$ )	1575.5MHz		
Insertion Loss (1573.92MHz to 1576.92MHz)	1.3 dB max.	1.2 dB max.	0.98 dB
Absolute Attenuation			
1) 0.1 to 250 MHz	40 dB min.	40 dB min.	48 dB
2) 250 to 810 MHz	41 dB min.	41 dB min.	42 dB
3) 810 to 960 MHz	40 dB min.	40 dB min.	42 dB
4) 960 to 1429 MHz	40 dB min.	40 dB min.	42 dB
5) 1429 to 1453 MHz	40 dB min.	40 dB min.	50 dB
6) 1453 to 1525.42 MHz	37 dB min.	37 dB min.	43 dB
7) 1525 to 1560 MHz	1.0 dB min.	1.0 dB min.	1.4 dB
8) 1625 to 1710 MHz	40 dB min.	40 dB min.	48 dB
9) 1710 to 1749.9 MHz	43 dB min.	43 dB min.	46 dB
10) 1749.9 to 1785 MHz	44 dB min.	44 dB min.	46 dB
11) 1785 to 1920 MHz	43 dB min.	43 dB min.	47 dB
12) 1920 to 1990 MHz	43 dB min.	43 dB min.	50 dB
13) 1990 to 2170 MHz	45 dB min.	45 dB min.	50 dB
14) 2170 to 2600 MHz	40 dB min.	40 dB min.	44 dB
15) 2600 to 2700 MHz	39 dB min.	39 dB min.	43 dB
16) 2700 to 6000 MHz	30 dB min.	30 dB min.	33 dB
Ripple Deviation (1573.92 to 1576.92MHz)	0.6 dB max.	0.5 dB max.	0.05dB
VSWR (1573.92 to 1576.92MHz)	1.7 max.	1.5 max.	1.2
Unbalance Port Matching Impedance (nominal)	50Ω		
Input Signal Level	20mW (+13dBm), 2000 hours		

# SAW FILTER FOR GPS

*Murata part number :SAFEA1G57KL0F00*

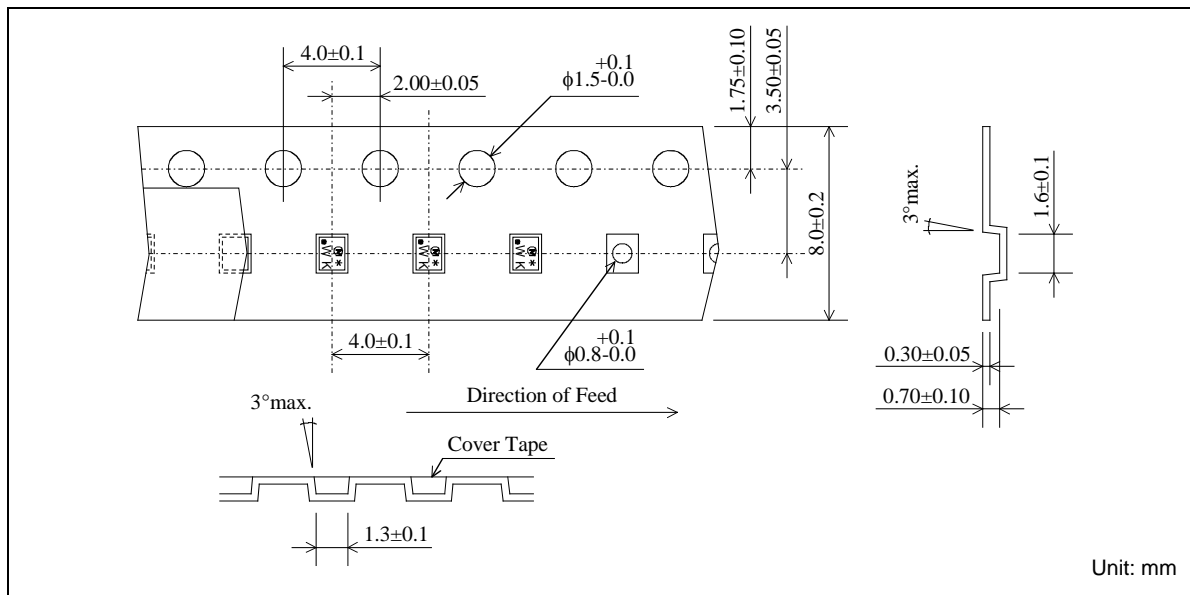
## ■ Frequency Performance



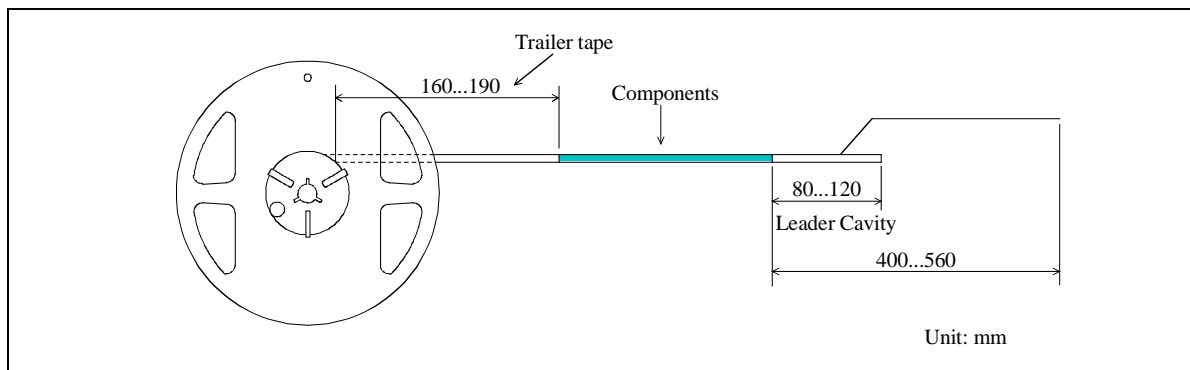
# SAW FILTER FOR GPS

Murata part number :SAFEA1G57KL0F00

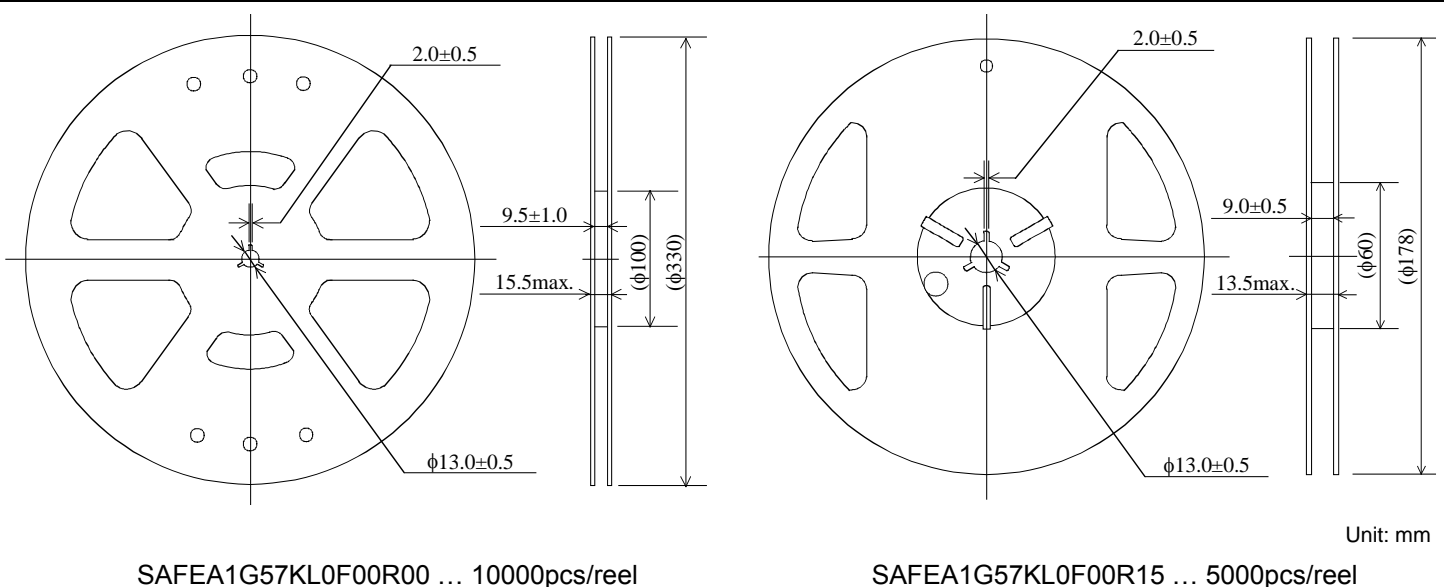
## Dimensions of Carrier Tape



## Dimensions of Tape



## Dimensions of Reel



SAFEA1G57KL0F00R00 ... 10000pcs/reel

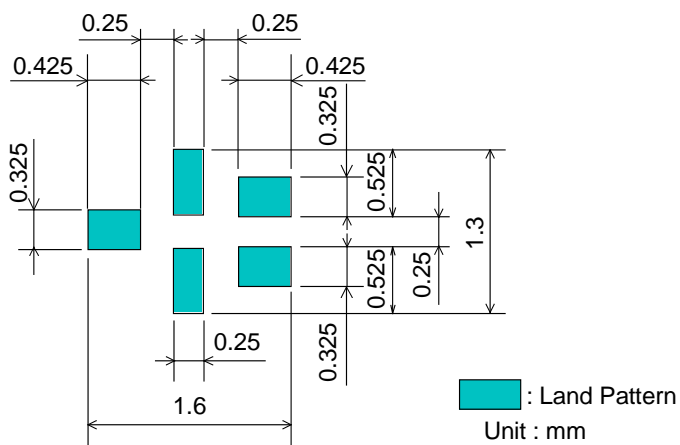
SAFEA1G57KL0F00R15 ... 5000pcs/reel

# SAW FILTER FOR GPS

Murata part number :SAFEA1G57KL0F00

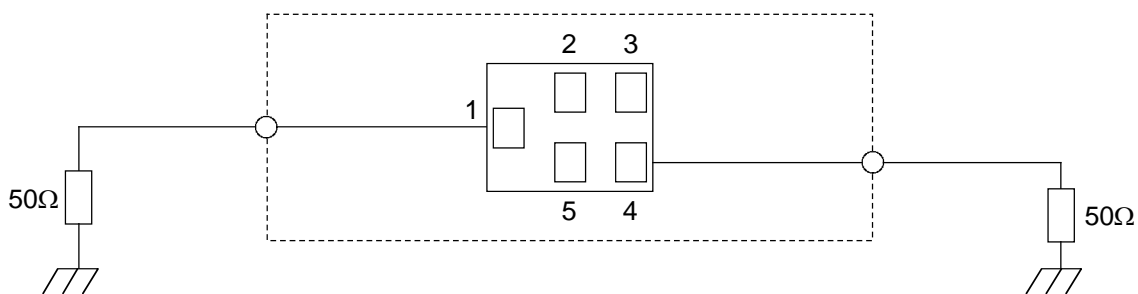
## Recommended Land Pattern

Top View



## Test Circuit

Bottom View



# SAW FILTER FOR GPS

Murata part number :SAFEA1G57KL0F00

## ■ RoHS Compliance

This component is compliant with RoHS directive.

This component was always RoHS compliant from the first date of manufacture.

### • Caution - Limitation of Applications

This product is intended for the following applications only; however, please do not use this product in these applications where defects might directly cause damage to a third party's life, body or property.

- a. Mobile Telephone
- b. Cordless phone (except for Automotive use)
- c. PC (Including Notebook PC, Netbook PC, Tablet)
- d. Game
- e. Camera (except for Business/security use)
- f. Set Top Box
- g. Electronic dictionary
- h. Digital audio equipment

• This catalog is for reference only and not an official product specification document, therefore, please review and approve our official product specification before ordering this product.