



Data Sheet of SAW Components



Note : Murata SAW Component is applicable for Cellular /Cordless phone (Terminal) relevant market only.

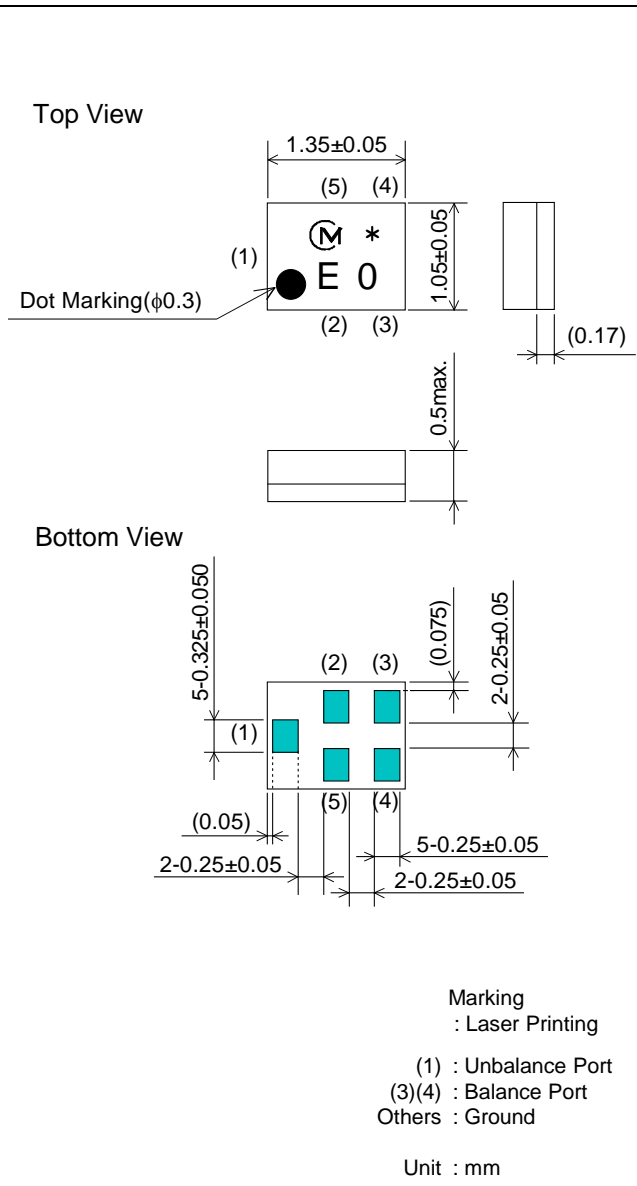
Please also read caution at the end of this document.

SAW FILTER FOR KPCS

Murata part number : SAFEA1G85FL0F00

Package Dimensions

Specification

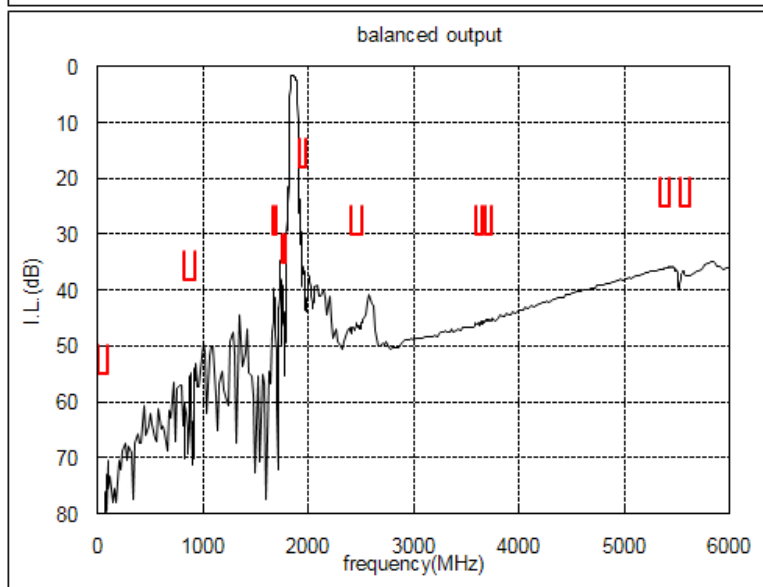
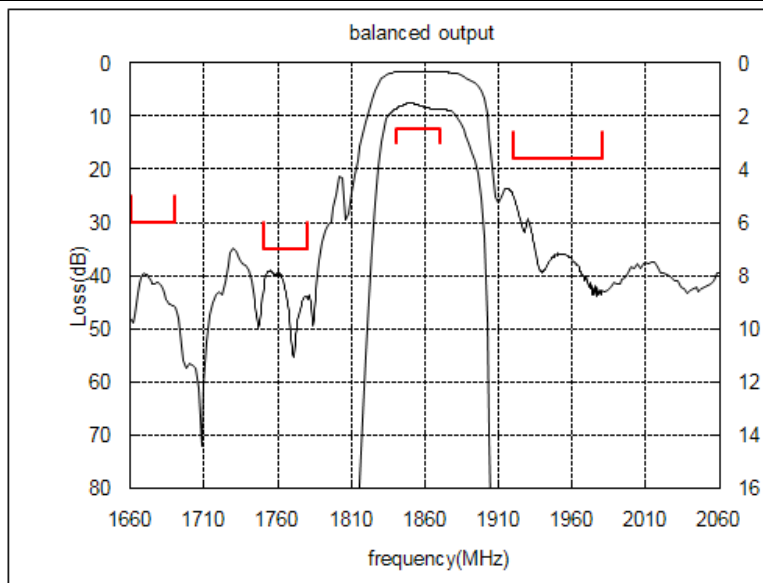


Item	Specification		
	-30 to 85°C	25±2°C	typ.
Nominal Center Frequency(fc)	1855MHz		
Insertion Loss (1840 to 1870MHz)	2.5 dB max.	2.4 dB max.	1.8 dB
Absolute Attenuation			
1) 10 to 90 MHz	55 dB min.	55 dB min.	76 dB
2) 824 to 925 MHz	38 dB min.	38 dB min.	54 dB
3) 1660 to 1690 MHz	30 dB min.	30 dB min.	40 dB
4) 1750 to 1780 MHz	35 dB min.	35 dB min.	39 dB
5) 1920 to 1980 MHz	18 dB min.	18 dB min.	24 dB
6) 2400 to 2500 MHz	30 dB min.	30 dB min.	46 dB
7) 3590 to 3650 MHz	30 dB min.	30 dB min.	46 dB
8) 3680 to 3740 MHz	30 dB min.	30 dB min.	45 dB
9) 5340 to 5430 MHz	25 dB min.	25 dB min.	36 dB
10) 5520 to 5610 MHz	25 dB min.	25 dB min.	36 dB
Ripple Deviation (1840 to 1870MHz)	1.5dB max.	1.5dB max.	0.34 dB
VSWR (1840 to 1870MHz)	2.0 max.	2.0 max.	1.5
Amplitude Balance (1840 to 1870MHz)	±1.3dB max.	±1.3dB max.	+0.7dB
Phase Balance (1840 to 1870MHz)	180±10deg. max.	180±10deg. max.	180+4.4deg.
Unbalance Port Matching Impedance (nominal)	50Ω		
Balance Port Matching Impedance (nominal)	100Ω		
Input Signal Level	20mW (+13dBm), 2000 hours		

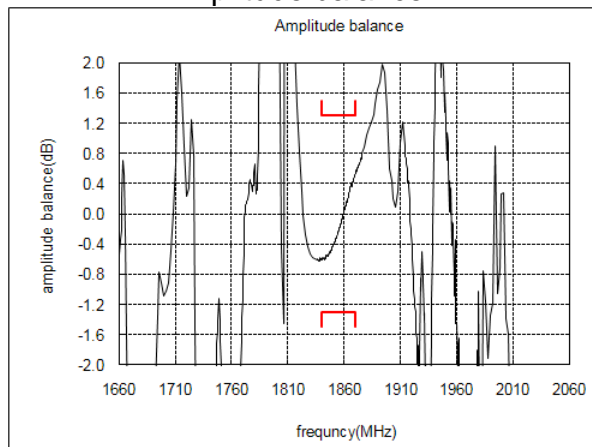
SAW FILTER FOR KPCS

Murata part number : SAFEA1G85FL0F00

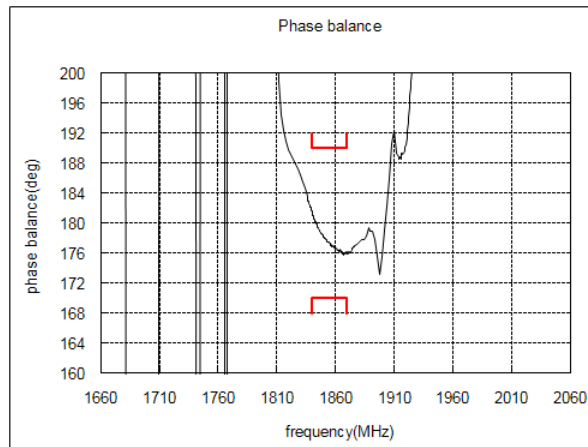
Frequency Performance



Amplitude balance



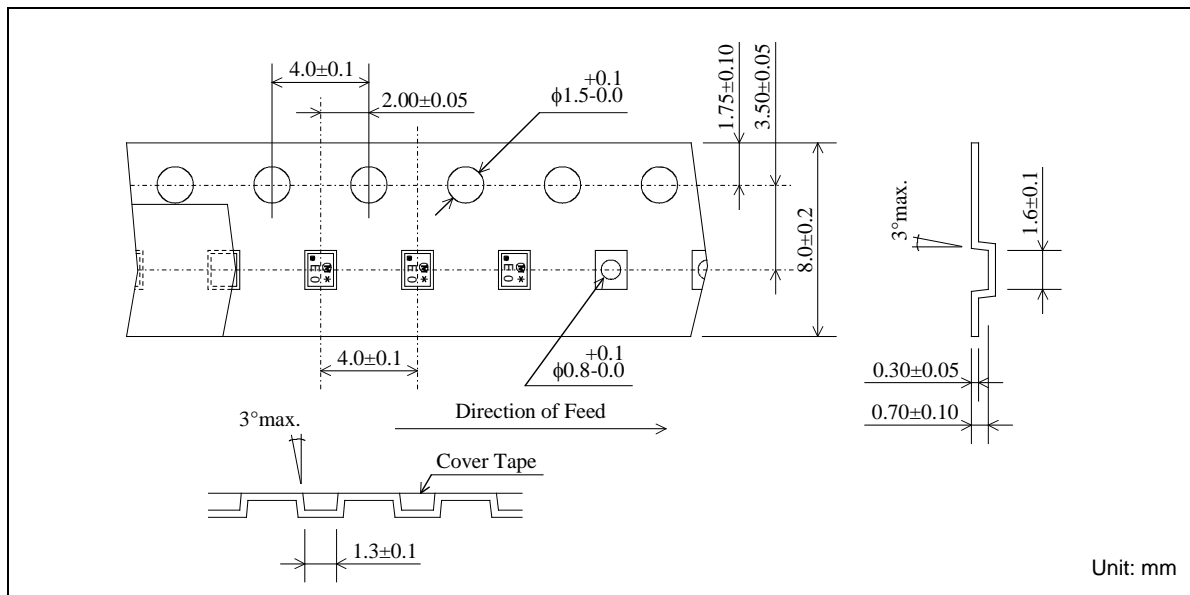
Phase balance



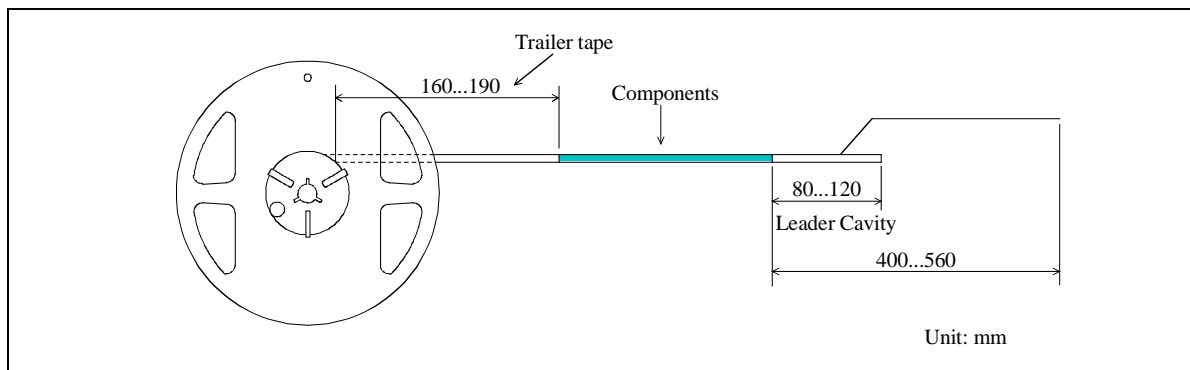
SAW FILTER FOR KPCS

Murata part number : SAFEA1G85FL0F00

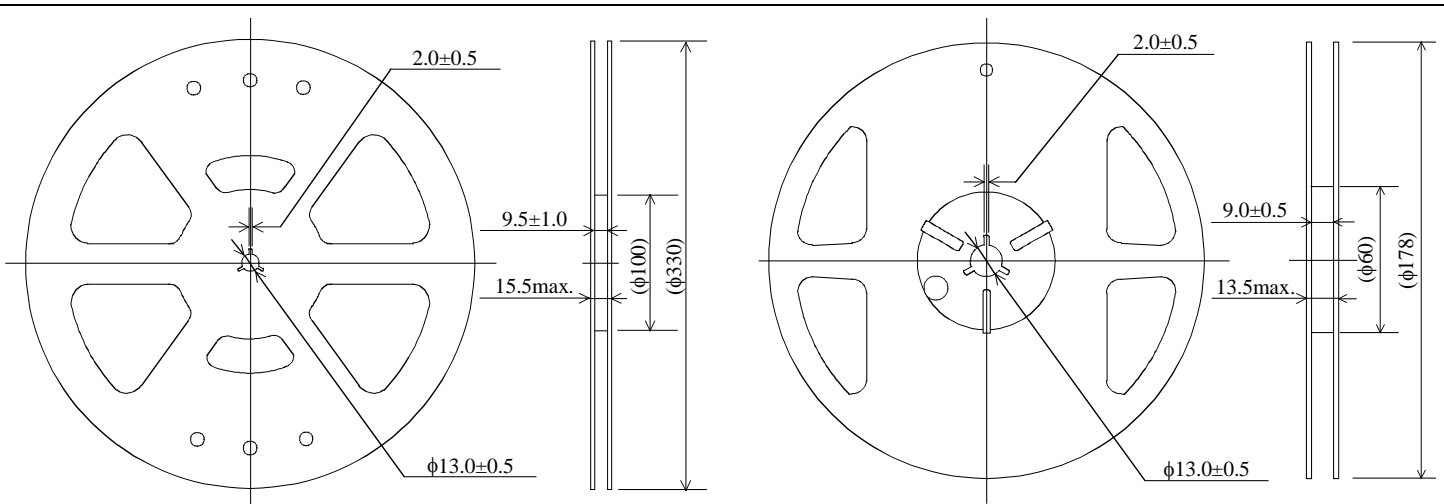
Dimensions of Carrier Tape



Dimensions of Tape



Dimensions of Reel



SAFEA1G85FL0F00R00 ... 10000pcs/reel

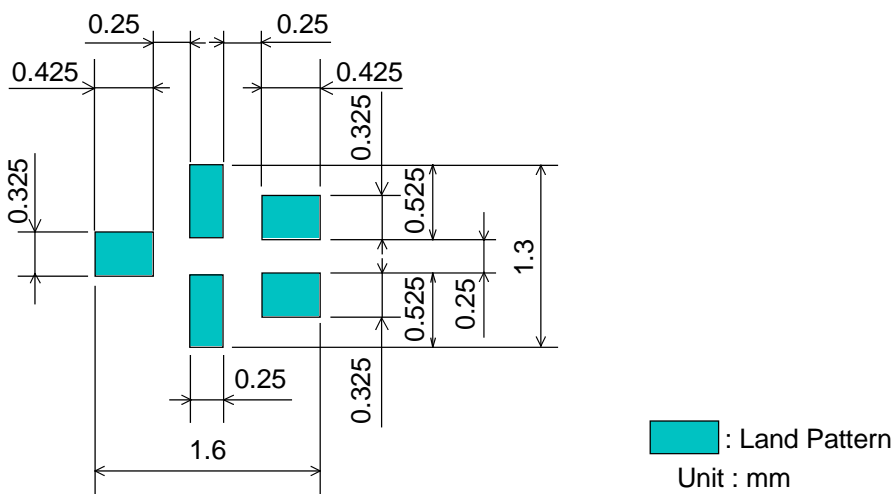
SAFEA1G85FL0F00R15 ... 5000pcs/reel

SAW FILTER FOR KPCS

Murata part number : SAFEA1G85FL0F00

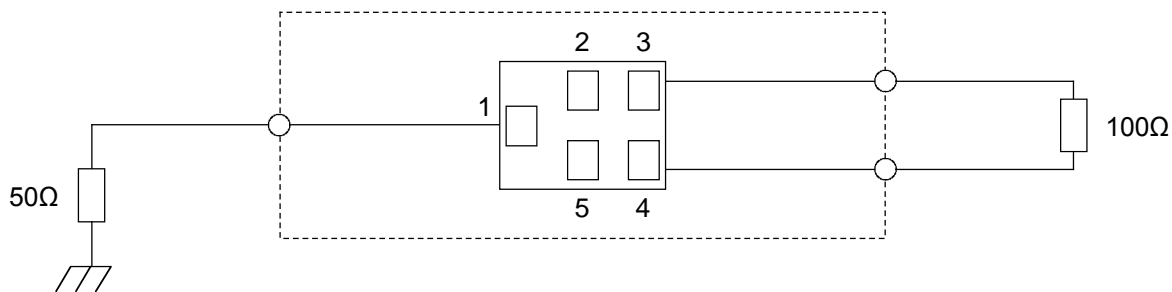
Recommended Land Pattern

Top View



Test Circuit

Bottom View



SAW FILTER FOR KPCS

Murata part number : SAFEA1G85FL0F00

■ RoHS Compliance

This component is compliant with RoHS directive.

This component was always RoHS compliant from the first date of manufacture.

• Caution - Limitation of Applications

This product is intended for the following applications only; however, please do not use this product in these applications where defects might directly cause damage to a third party's life, body or property.

- a. Mobile Telephone
- b. Cordless phone (except for Automotive use)
- c. PC (Including Notebook PC, Netbook PC, Tablet)
- d. Game
- e. Camera (except for Business/security use)
- f. Set Top Box
- g. Electronic dictionary
- h. Digital audio equipment

• This catalog is for reference only and not an official product specification document, therefore, please review and approve our official product specification before ordering this product.