



Data Sheet of SAW Components



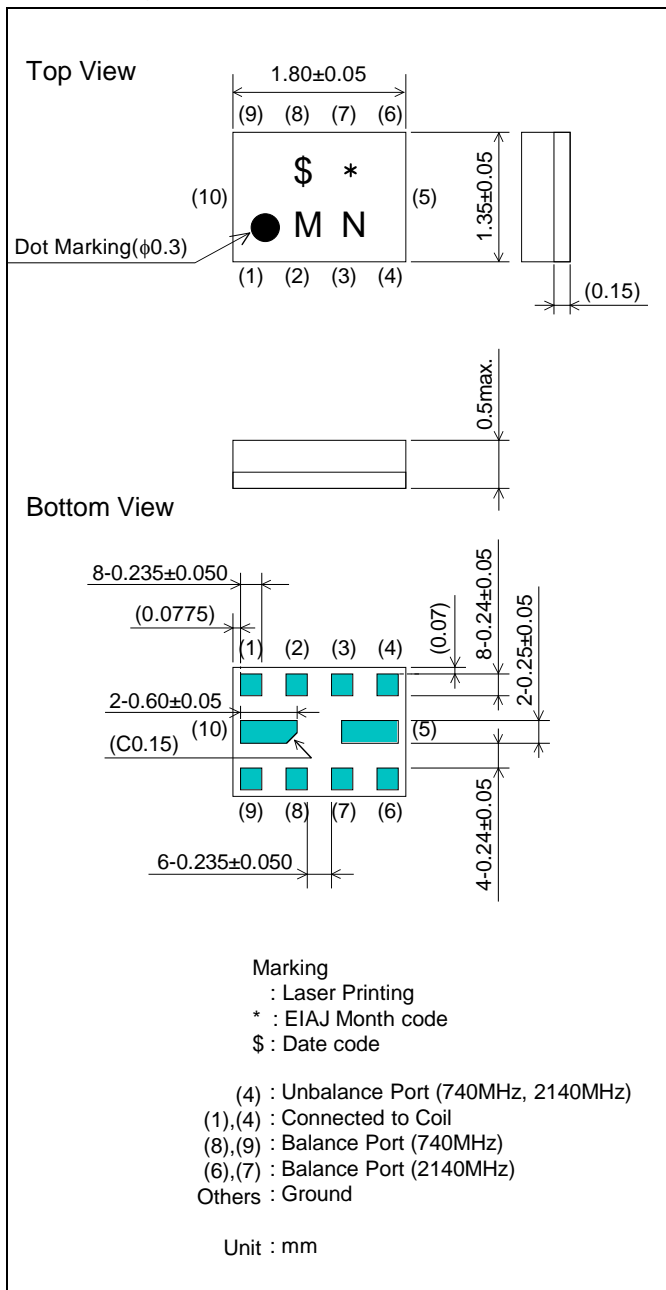
Note : Murata SAW Component is applicable for Cellular /Cordless phone (Terminal) relevant market only.

Please also read caution at the end of this document.

SAW FILTER FOR Band4/Band17 Diversity Diplex Dual

Murata part number :SAWEN740MCA0F00 (fc=740MHz)

Package Dimensions



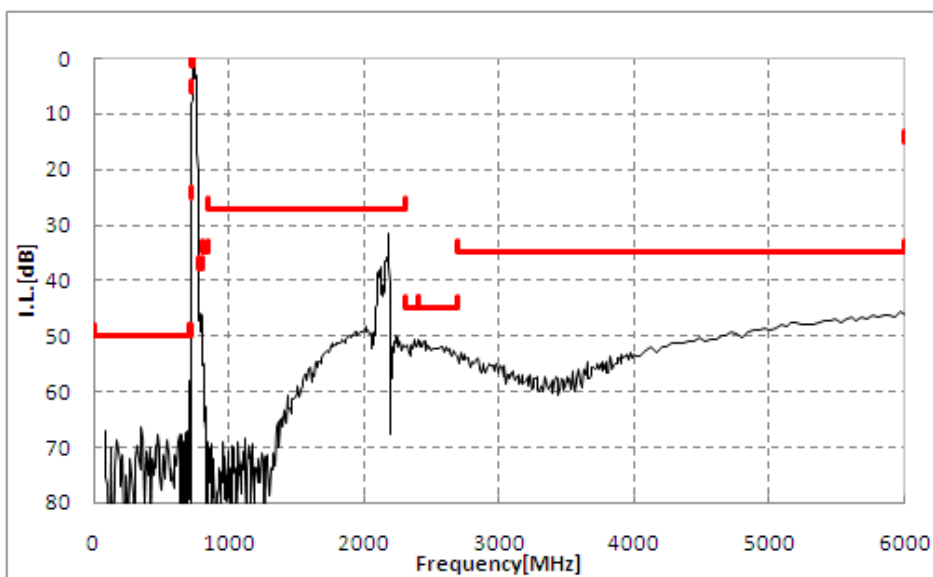
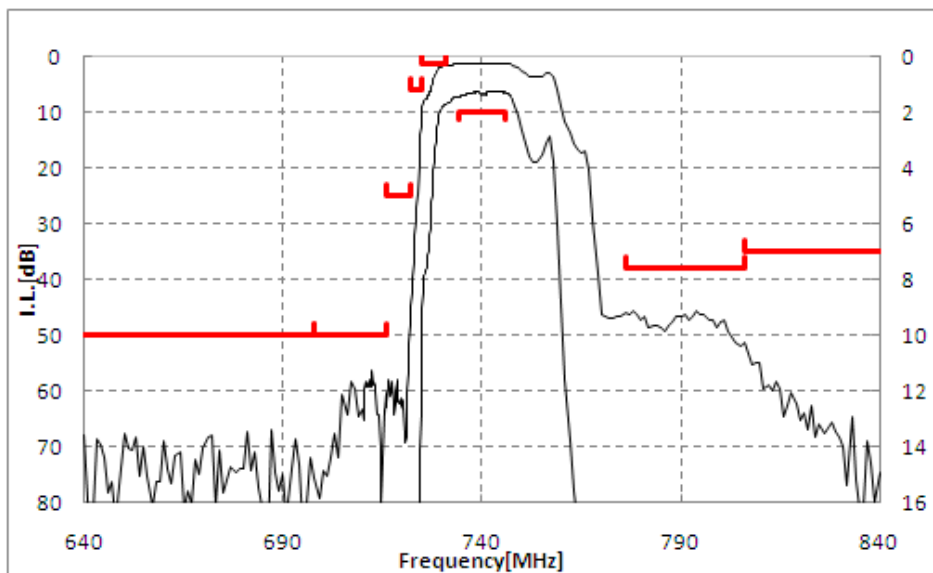
Specification

| Item | Specification | | |
|--|-----------------------------|-------------------|---------------|
| | -30 to 85°C | 25±2°C | typ. |
| Nominal Center Frequency(fc) | 740MHz | | |
| Insertion Loss (734 to 746MHz) | 2.0 dB max. | 1.9 dB max. | 1.6 dB |
| Absolute Attenuation | | | |
| 1) 0.1 to 698 MHz | 50 dB min. | 50 dB min. | 61 dB |
| 2) 698 to 716 MHz | 50 dB min. | 50 dB min. | 56 dB |
| 3) 716 to 722 MHz | 25 dB min. | 30 dB min. | 56 dB |
| 4) 722 to 725 MHz | 6 dB min. | 15 dB min. | 31 dB |
| 5) 725 to 731 MHz | 1.5 dB min. | 1.5 dB min. | 2.0 dB |
| 6) 776 to 806 MHz | 38 dB min. | 35 dB min. | 45 dB |
| 7) 806 to 849 MHz | 35 dB min. | 35 dB min. | 52 dB |
| 8) 849 to 2300 MHz | 27 dB min. | 27 dB min. | 31 dB |
| 9) 2300 to 2400 MHz | 45 dB min. | 45 dB min. | 57 dB |
| 10) 2400 to 2690 MHz | 45 dB min. | 45 dB min. | 56 dB |
| 11) 2690 to 6000 MHz | 35 dB min. | 35 dB min. | 45 dB |
| 12) 6000 to 12750 MHz | 15 dB min. | 15 dB min. | 23 dB |
| Ripple Deviation (734 to 746MHz) | 1.2 dB max. | 1.0 dB max. | 0.4 dB |
| VSWR (734 to 746MHz) | 1.9 max. | 1.9 max. | 1.3 |
| Amplitude Balance (734 to 746MHz) | ±0.5dB max. | ± 0.5dB max. | +0.2 dB |
| Phase Balance (734 to 746MHz) | 180±5deg. max. | 180±5deg. max. | 180.0+1.6deg. |
| Unbalance Port Matching Impedance (nominal) | 50Ω | | |
| Balance Port Matching Impedance (nominal) | 100Ω | | |
| Input Signal Level | 31.6mW (+15dBm), 2000 hours | | |

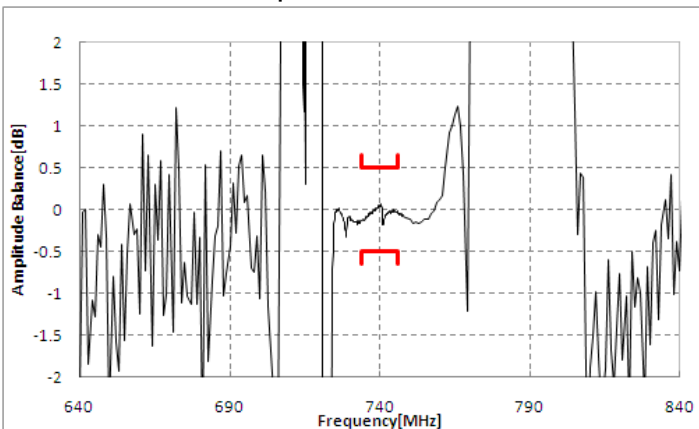
SAW FILTER FOR Band4/Band17 Diversity Diplex Dual

Murata part number :SAWEN740MCA0F00 (Band17)

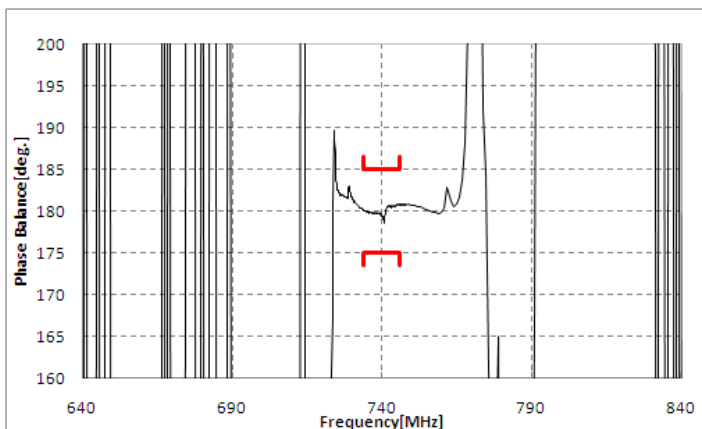
Frequency Performance



Amplitude balance



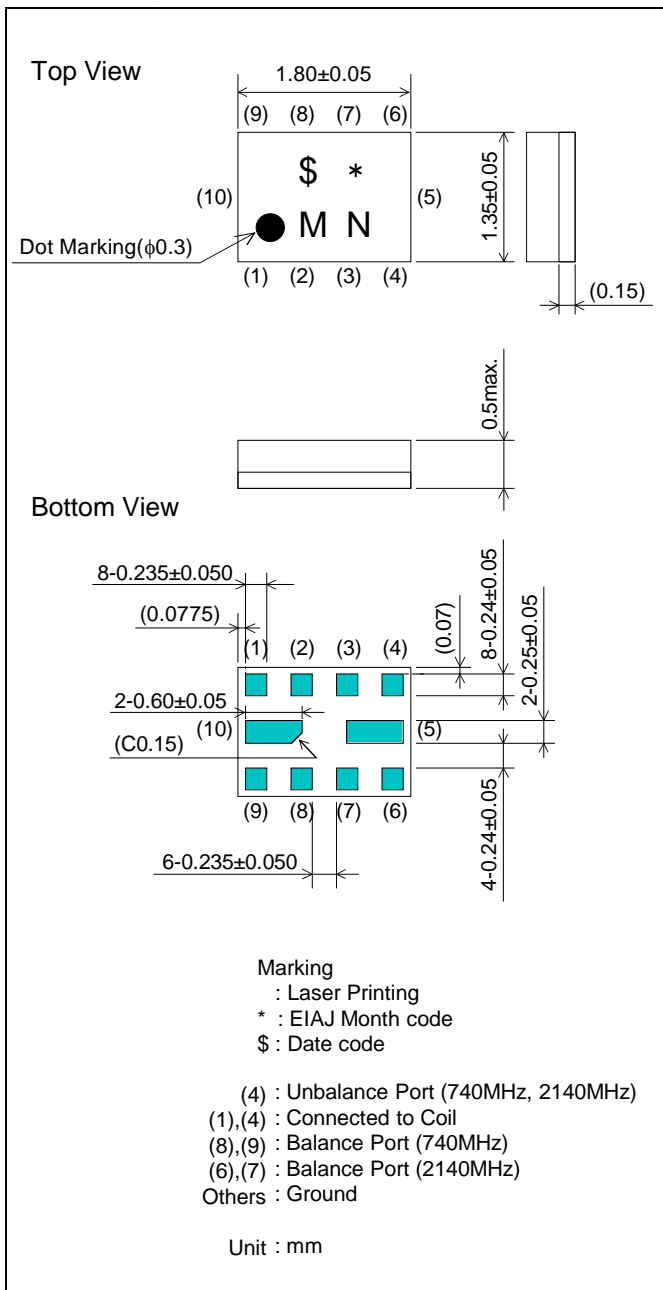
Phase balance



SAW FILTER FOR Band4/Band17 Diversity Diplex Dual

Murata part number :SAWEN740MCA0F00 (fc=2140MHz)

Package Dimensions



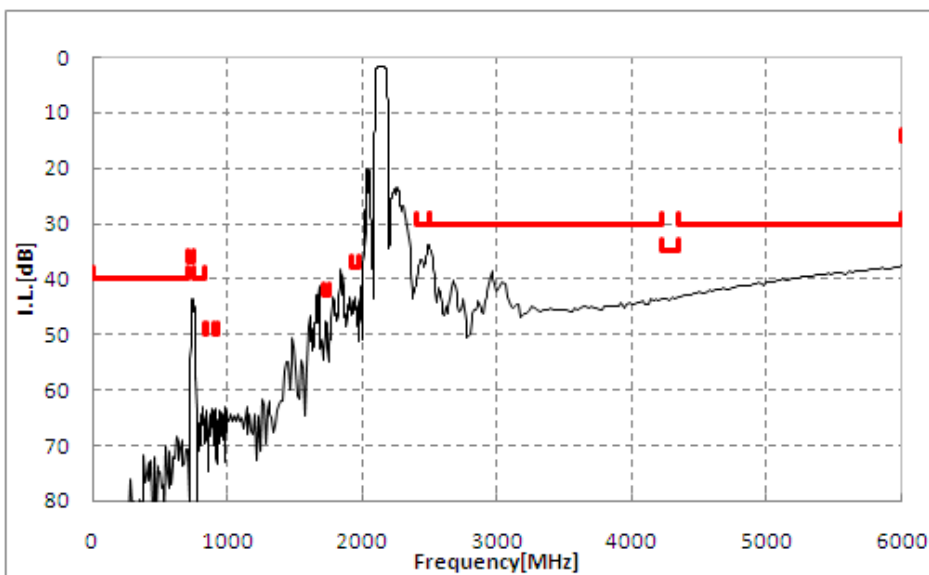
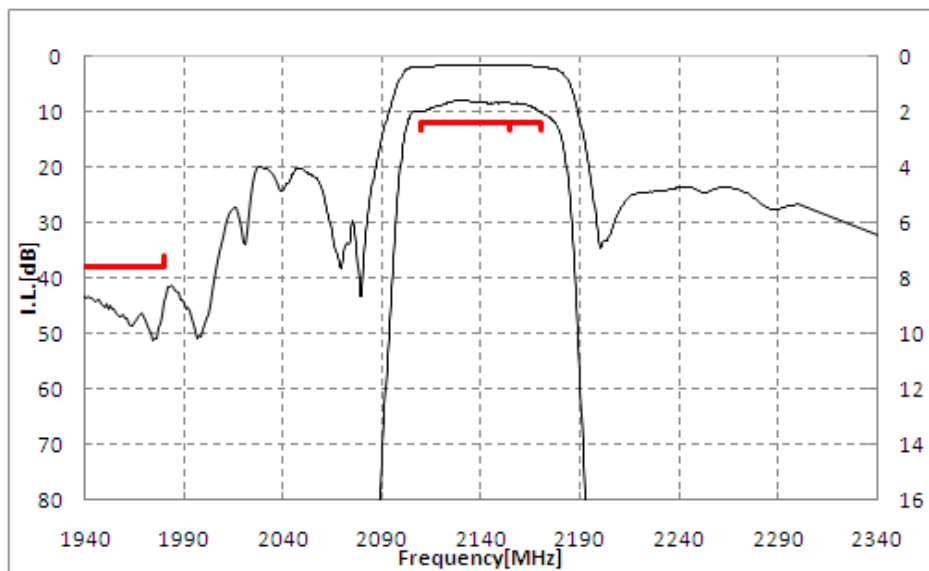
Specification

| Item | Specification | | |
|--|---------------------------|--------------------|---------------|
| | -30 to 85°C | 25±2°C | typ. |
| Nominal Center Frequency(fc) | 2140MHz | | |
| Insertion Loss (2110 to 2170MHz) | 2.4 dB max. | 2.4 dB max. | 2.1 dB |
| (2110 to 2155MHz) | 2.4 dB max. | 2.4 dB max. | 2.0 dB |
| Absolute Attenuation | | | |
| 1) 0.1 to 700 MHz | 40 dB min. | 40 dB min. | 46 dB |
| 2) 700 to 752 MHz | 37 dB min. | 37 dB min. | 43 dB |
| 3) 752 to 824 MHz | 40 dB min. | 40 dB min. | 45 dB |
| 4) 824 to 849 MHz | 50 dB min. | 50 dB min. | 62 dB |
| 5) 898 to 925 MHz | 50 dB min. | 50 dB min. | 62 dB |
| 6) 1710 to 1755 MHz | 43 dB min. | 43 dB min. | 48 dB |
| 7) 1920 to 1980 MHz | 38 dB min. | 38 dB min. | 43 dB |
| 8) 2400 to 2500 MHz | 30 dB min. | 30 dB min. | 34 dB |
| 9) 2500 to 4220 MHz | 30 dB min. | 30 dB min. | 34 dB |
| 10) 4220 to 4340 MHz | 35 dB min. | 35 dB min. | 43 dB |
| 11) 4340 to 6000 MHz | 30 dB min. | 30 dB min. | 37 dB |
| 12) 6000 to 12750 MHz | 15 dB min. | 15 dB min. | 25 dB |
| Ripple Deviation (2110 to 2170MHz) | 1.2 dB max. | 1.0 dB max. | 0.4 dB |
| VSWR (2110 to 2170MHz) | 2.0 max. | 2.0 max. | 1.5 |
| Amplitude Balance (2110 to 2170MHz) | ±1.2dB max. | ±1.2dB max. | +0.7 dB |
| Phase Balance (2110 to 2170MHz) | 180±10deg. max. | 180±10deg. max. | 180.0+3.8deg. |
| Unbalance Port Matching Impedance (nominal) | 50Ω | | |
| Balance Port Matching Impedance (nominal) | 100Ω//18nH | | |
| Input Signal Level | 20mW (+13dBm), 2000 hours | | |

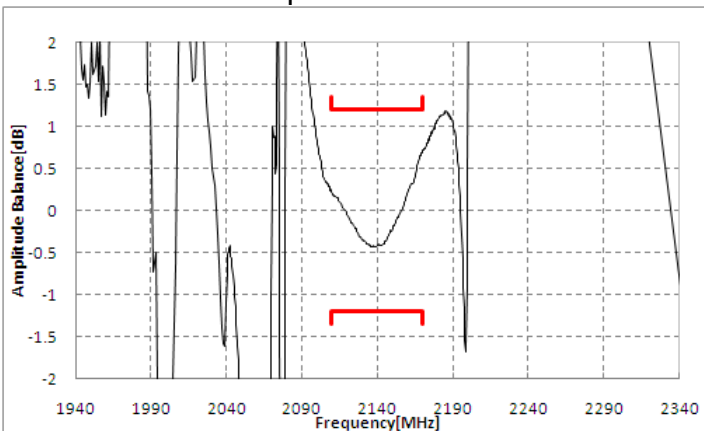
SAW FILTER FOR Band4/Band17 Diversity Diplex Dual

Murata part number :SAWEN740MCA0F00 (Band1&4)

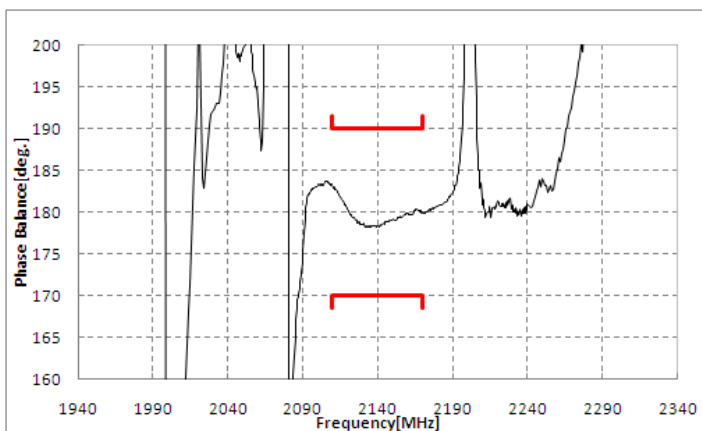
Frequency Performance



Amplitude balance



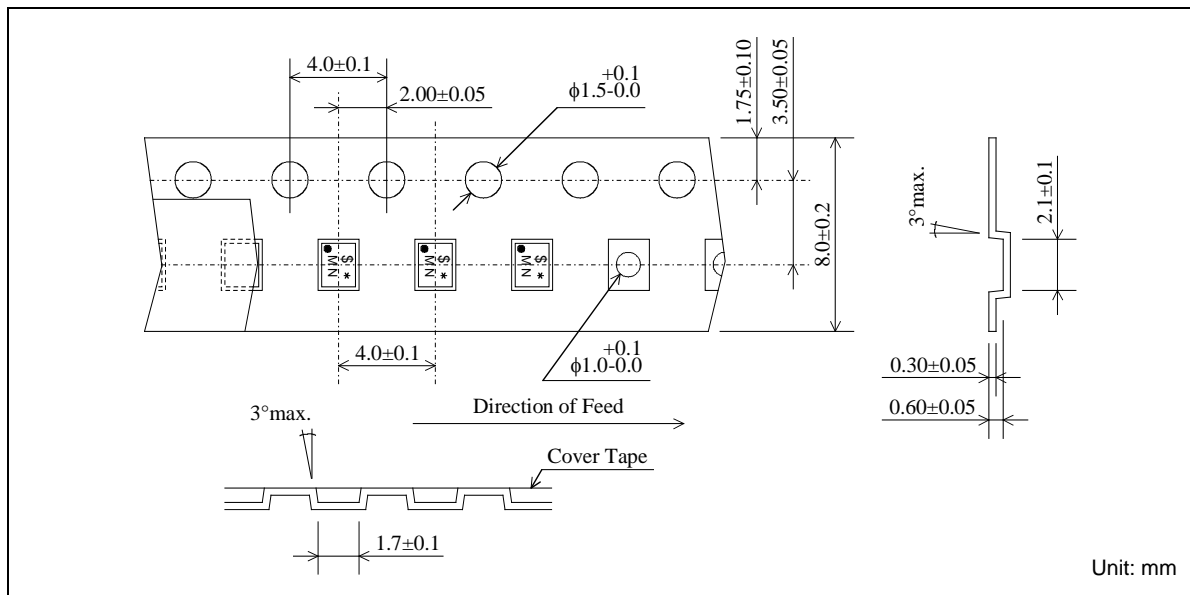
Phase balance



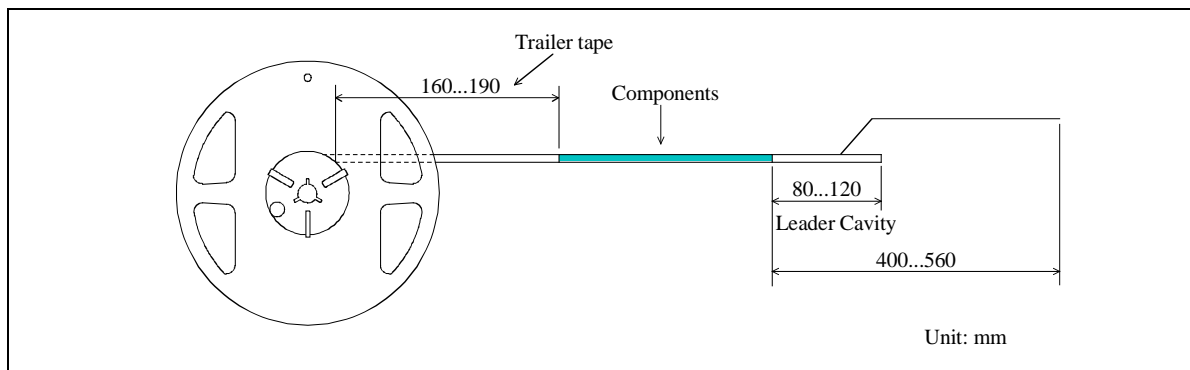
SAW FILTER FOR Band4/Band17 Diversity Diplex Dual

Murata part number :SAWEN740MCA0F00

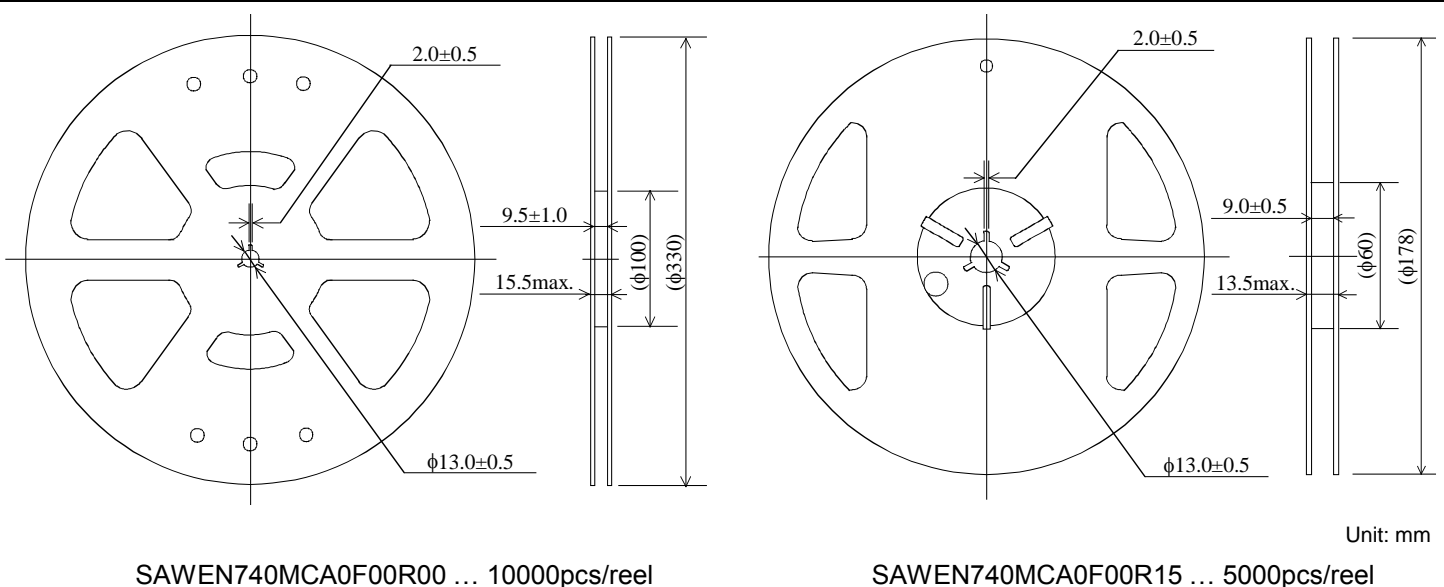
Dimensions of Carrier Tape



Dimensions of Tape



Dimensions of Reel

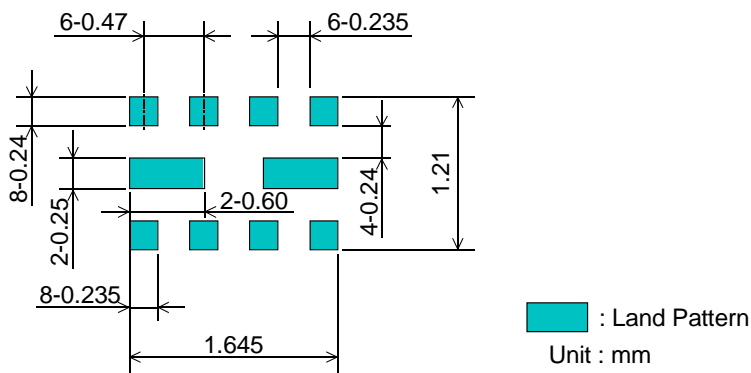


SAW FILTER FOR Band4/Band17 Diversity Diplex Dual

Murata part number :SAWEN740MCA0F00

Recommended Land Pattern

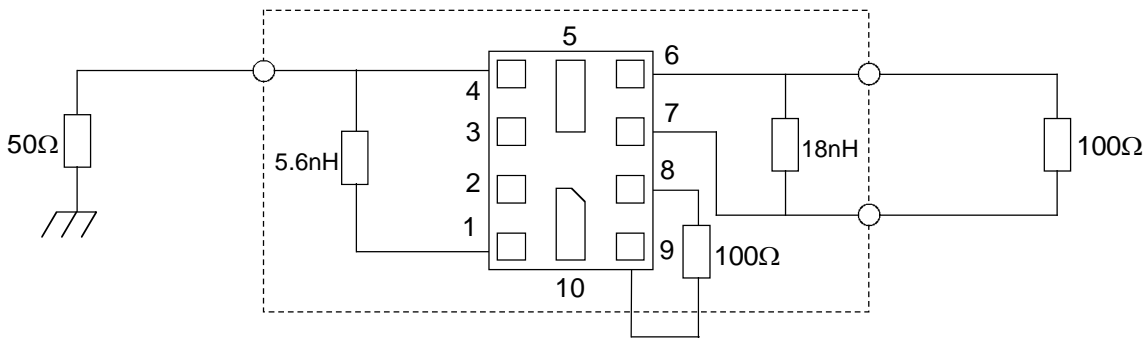
Top View



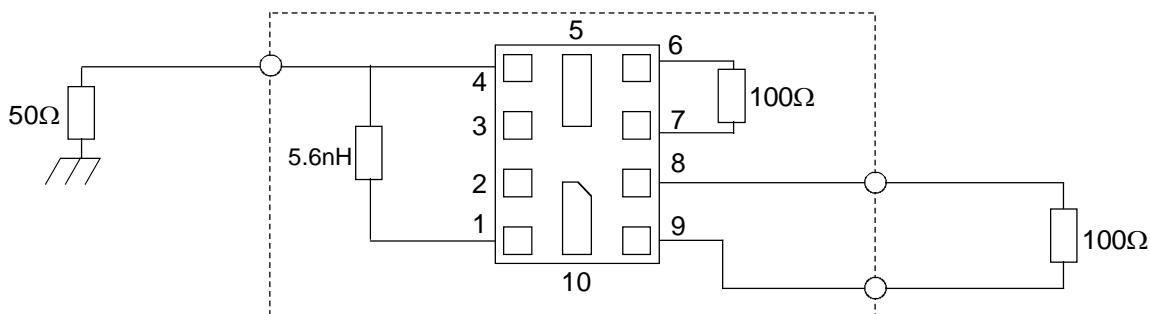
Test Circuit

Bottom View

2140MHz



740MHz



SAW FILTER FOR Band4/Band17 Diversity Diplex Dual

Murata part number :SAWEN740MCA0F00

■ RoHS Compliance

This component is compliant with RoHS directive.

This component was always RoHS compliant from the first date of manufacture.

• Caution - Limitation of Applications
 This product is intended for the following applications only; however, please do not use this product in these applications where defects might directly cause damage to a third party's life, body or property.

- a. Mobile Telephone
- b. Cordless phone (except for Automotive use)
- c. PC (Including Notebook PC, Netbook PC, Tablet)
- d. Game
- e. Camera (except for Business/security use)
- f. Set Top Box
- g. Electronic dictionary
- h. Digital audio equipment

• This catalog is for reference only and not an official product specification document, therefore, please review and approve our official product specification before ordering this product.

■ Marking code

Table 1 ★ : EIAJ Code

This rule of code is applied repeatedly every four year.

| | | | | | | | | | | | | |
|------|------|------|------|------|-----|------|------|------|------|------|------|------|
| 2009 | Jan. | Feb. | Mar. | Apr. | May | Jun. | Jul. | Aug. | Sep. | Oct. | Nov. | Dec. |
| 2013 | A | B | C | D | E | F | G | H | J | K | L | M |
| 2017 | | | | | | | | | | | | |
| 2010 | Jan. | Feb. | Mar. | Apr. | May | Jun. | Jul. | Aug. | Sep. | Oct. | Nov. | Dec. |
| 2014 | N | P | Q | R | S | T | U | V | W | X | Y | Z |
| 2018 | | | | | | | | | | | | |
| 2011 | Jan. | Feb. | Mar. | Apr. | May | Jun. | Jul. | Aug. | Sep. | Oct. | Nov. | Dec. |
| 2015 | a | b | c̄ | d | e | f | g | h | j | k | l | m |
| 2019 | | | | | | | | | | | | |
| 2012 | Jan. | Feb. | Mar. | Apr. | May | Jun. | Jul. | Aug. | Sep. | Oct. | Nov. | Dec. |
| 2016 | n | p | q | r | s | t | u | v | w | x | y | z |
| 2020 | | | | | | | | | | | | |

Table 2 \$: Date Code

| | | | | | | | | | | | |
|------|------|------|------|------|------|------|------|------|------|------|------|
| date | 1st | 2nd | 3rd | 4th | 5th | 6th | 7th | 8th | 9th | 10th | |
| code | A | B | C | D | E | F | G | H | J | K | |
| date | 11th | 12th | 13th | 14th | 15th | 16th | 17th | 18th | 19th | 20th | |
| code | L | M | N | P | Q | R | S | T | U | V | |
| date | 21st | 22nd | 23rd | 24th | 25th | 26th | 27th | 28th | 29th | 30th | 31st |
| code | W | X | Y | Z | a | b | c̄ | d | e | f | g |