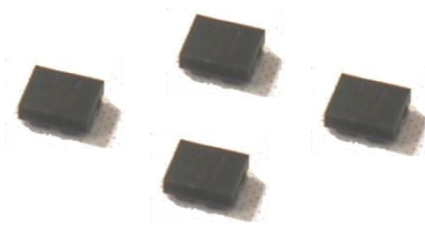




# Data Sheet of SAW Components



Note : Murata SAW Component is applicable for Cellular /Cordless phone (Terminal) relevant market only.

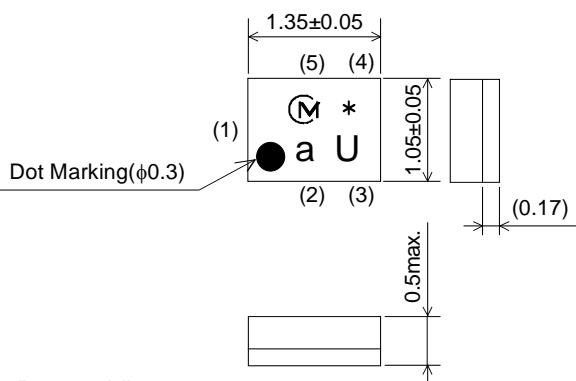
Please also read caution at the end of this document.

# SAW FILTER FOR Band2 (Rx)

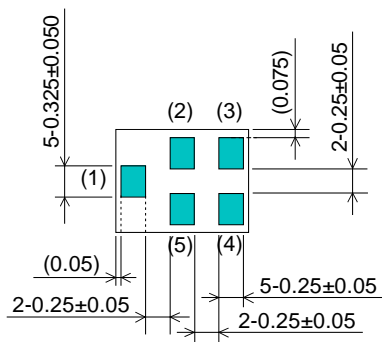
Murata part number : SAFEA1G96AB0F00

## ■ Package Dimensions

Top View



Bottom View



Marking  
: Laser Printing

(1) : Unbalance Port  
(4) : Unbalance Port  
Others : Ground

Unit : mm

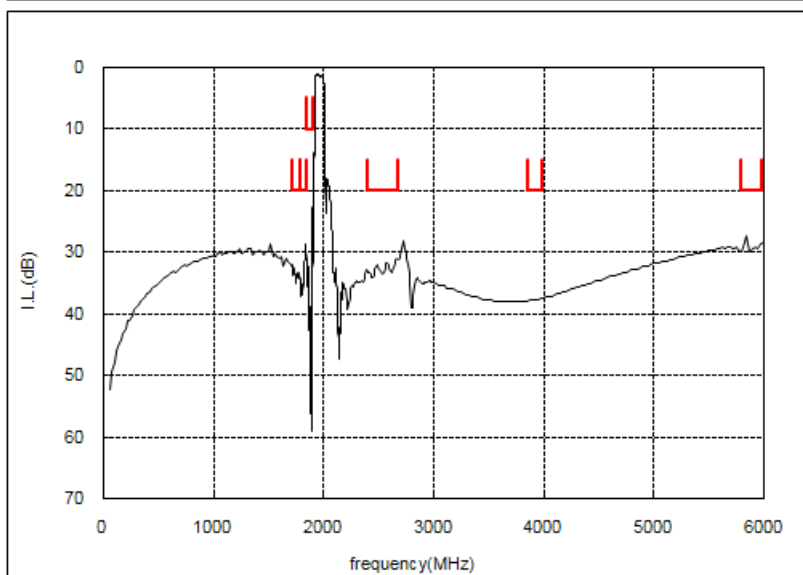
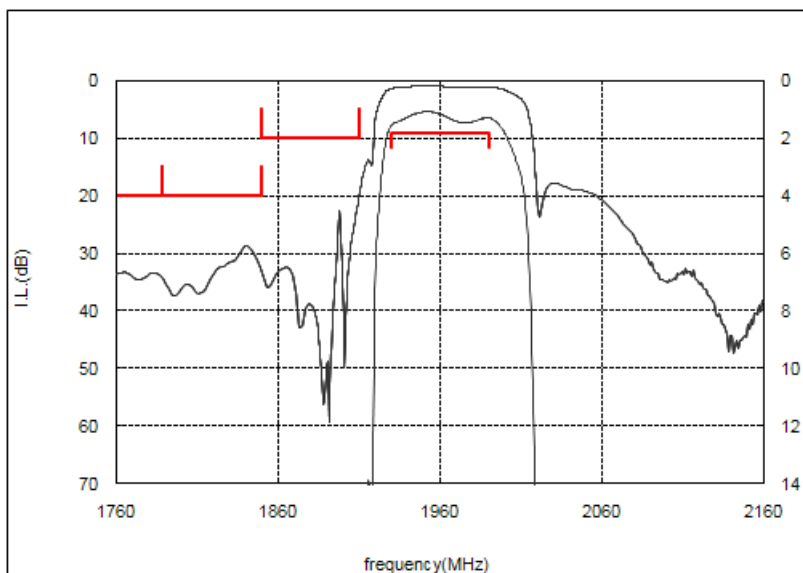
## ■ Specification

Item	Specification		
	-30 to 85°C	25±2°C	typ.
Nominal Center Frequency(fc)	1960MHz		
Insertion Loss (1930.6 to 1989.4MHz)	1.8 dB max.	1.7 dB max.	1.6 dB
Absolute Attenuation			
1) 10 to 1710 MHz	20 dB min.	20 dB min.	30 dB
2) 1710 to 1788 MHz	20 dB min.	20 dB min.	30 dB
3) 1788 to 1850 MHz	20 dB min.	20 dB min.	28 dB
4) 1850 to 1901 MHz	18 dB min.	18 dB min.	22 dB
5) 1901 to 1910 MHz	10 dB min.	10 dB min.	17 dB
6) 2400 to 2682 MHz	20 dB min.	20 dB min.	31 dB
7) 3860 to 3990 MHz	20 dB min.	20 dB min.	38 dB
8) 5790 to 5985 MHz	16 dB min.	16 dB min.	26 dB
9) 7720 to 7980 MHz	10 dB min.	10 dB min.	25 dB
Ripple Deviation (1930.6 to 1989.4MHz)	1.0 dB max.	1.0 dB max.	0.4 dB
VSWR (1930.6 to 1989.4MHz)	2.2 max.	2.0 max.	1.7
Unbalance Port Matching Impedance (nominal)	50Ω		
Input Signal Level	20mW (+13dBm), 2000 hours		

# SAW FILTER FOR Band2 (Rx)

Murata part number : SAFEA1G96AB0F00

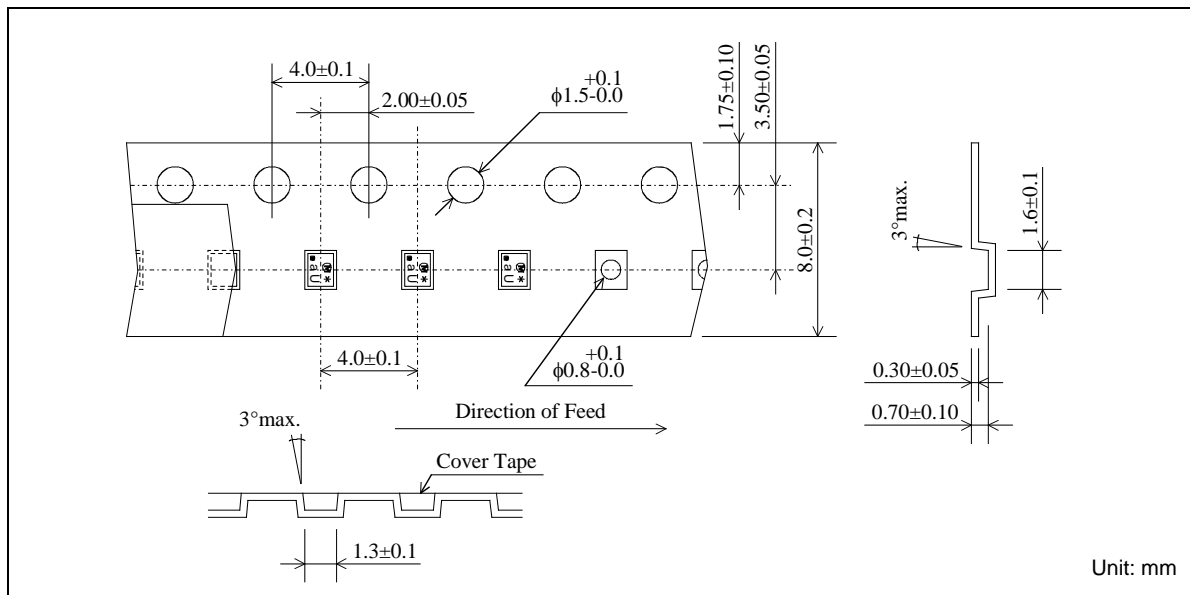
■ Frequency Performance



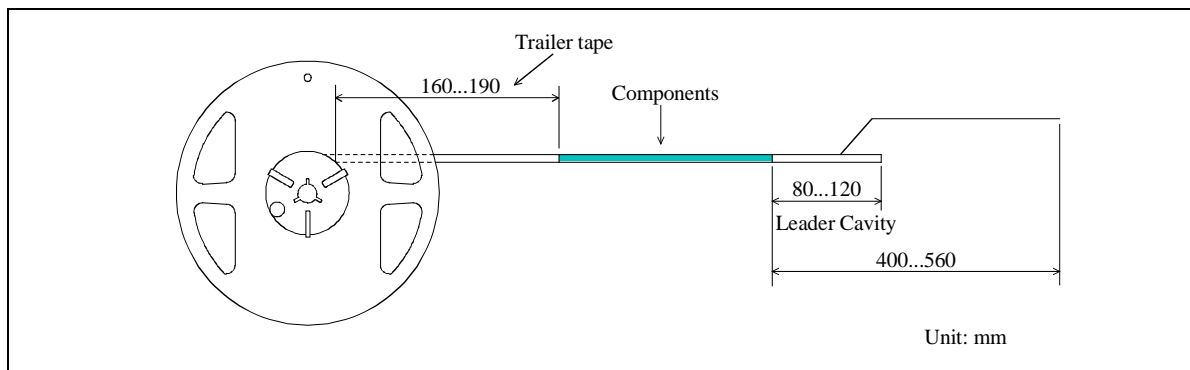
# SAW FILTER FOR Band2 (Rx)

Murata part number : SAFEA1G96AB0F00

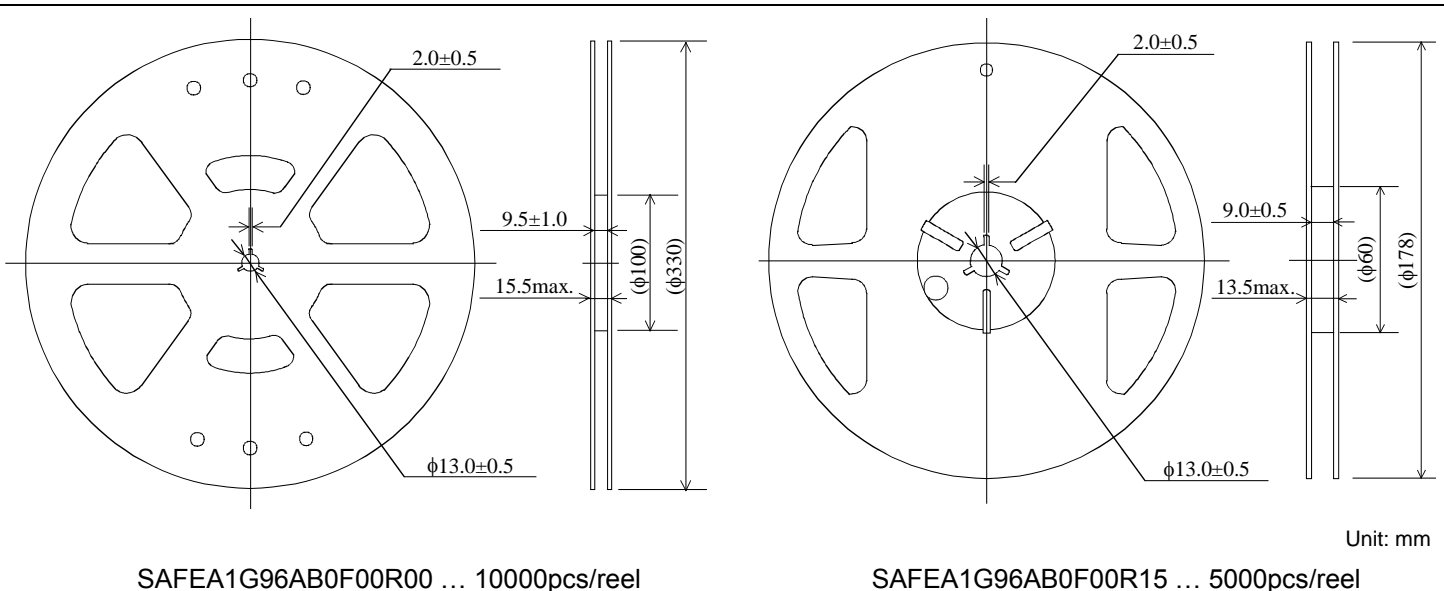
## Dimensions of Carrier Tape



## Dimensions of Tape



## Dimensions of Reel



SAFEA1G96AB0F00R00 ... 10000pcs/reel

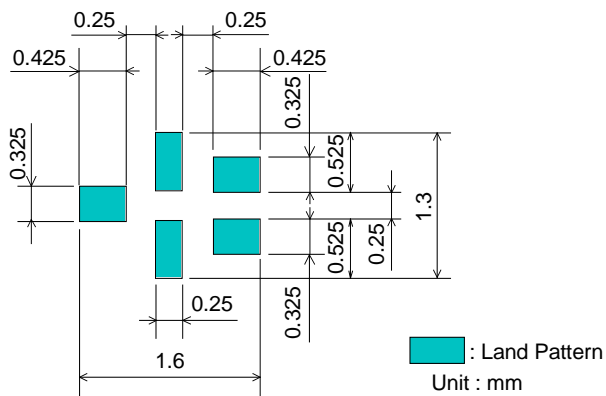
SAFEA1G96AB0F00R15 ... 5000pcs/reel

# SAW FILTER FOR Band2 (Rx)

Murata part number : SAFEA1G96AB0F00

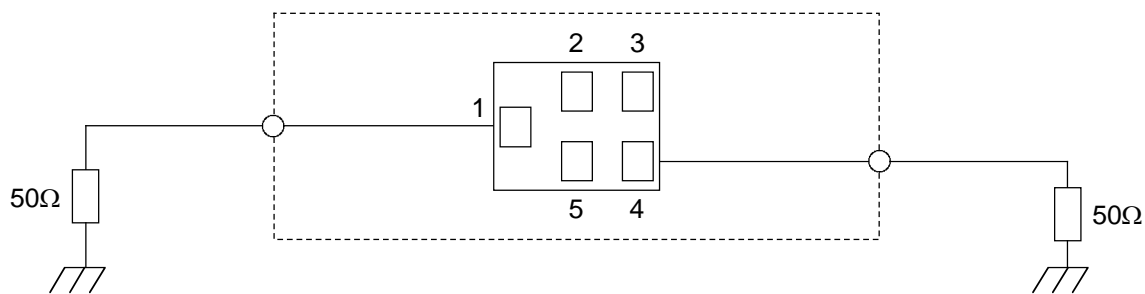
## Recommended Land Pattern

Top View



## Test Circuit

Bottom View



# SAW FILTER FOR Band2 (Rx)

Murata part number : SAFEA1G96AB0F00

## ■ RoHS Compliance

This component is compliant with RoHS directive.

This component was always RoHS compliant from the first date of manufacture.

### • Caution - Limitation of Applications

This product is intended for the following applications only; however, please do not use this product in these applications where defects might directly cause damage to a third party's life, body or property.

- a. Mobile Telephone
- b. Cordless phone (except for Automotive use)
- c. PC (Including Notebook PC, Netbook PC, Tablet)
- d. Game
- e. Camera (except for Business/security use)
- f. Set Top Box
- g. Electronic dictionary
- h. Digital audio equipment

• This catalog is for reference only and not an official product specification document, therefore, please review and approve our official product specification before ordering this product.