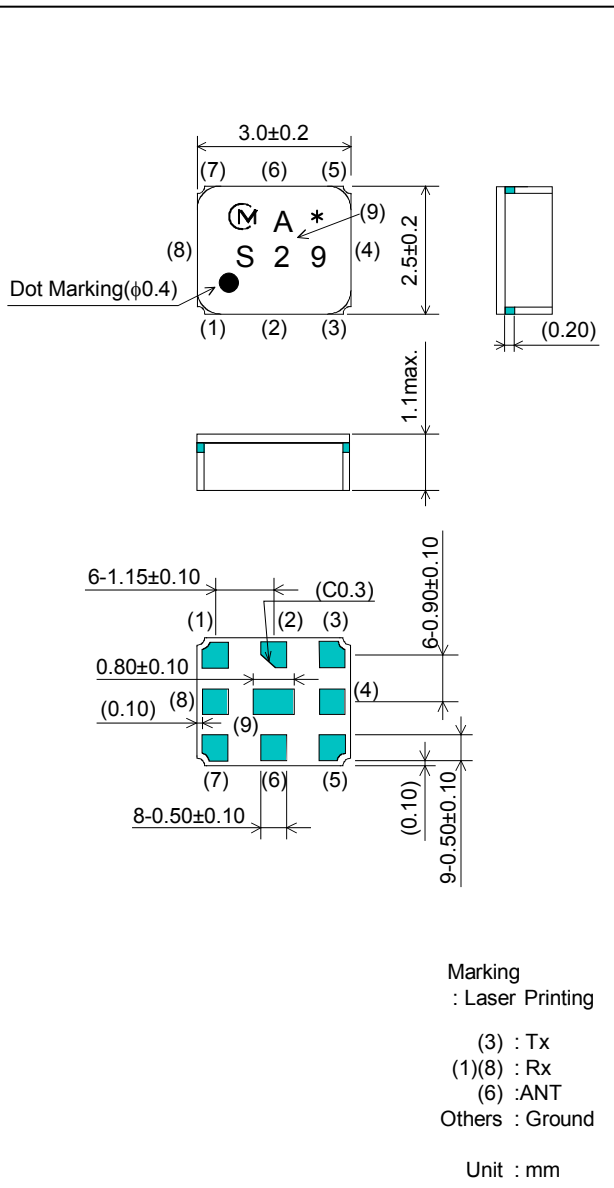


SAW DPX FOR WCDMA Band4 LR type

Murata part number :SAYZY1G73CA0F00 [Tx →ANT]

Package Dimensions



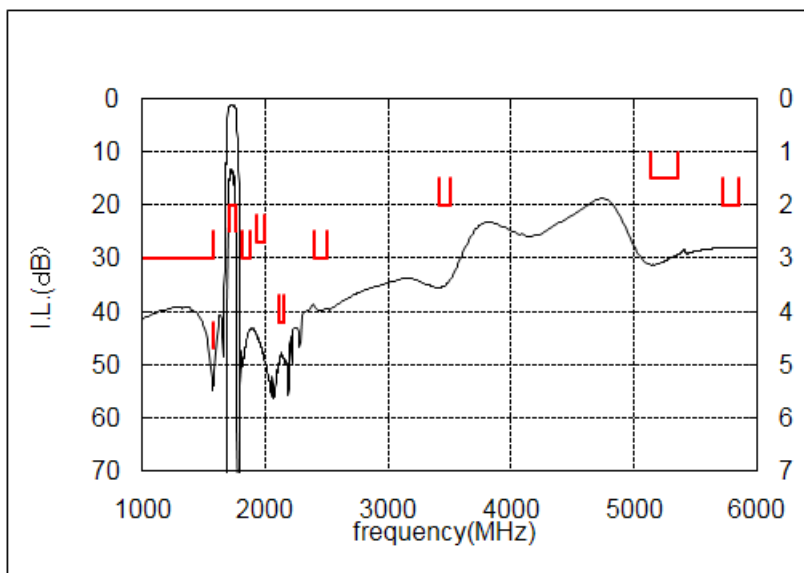
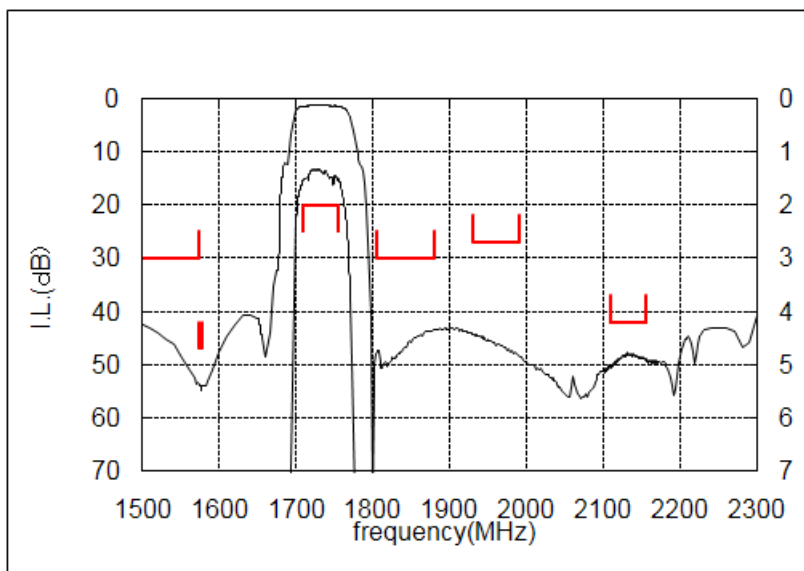
Specification

Item	Target Specification	
	-30 to 85°C	typ.
Nominal Center Frequency(fc)	1732.5MHz	
Insertion Loss (1710 to 1755MHz)	2.0 dB max.	1.7 dB
Absolute Attenuation		
1) 0.3 to 1574 MHz	30 dB min.	38 dB
2) 1574 to 1577 MHz	47 dB min.	52 dB
3) 1805 to 1880 MHz	30 dB min.	42 dB
4) 1930 to 1990 MHz	27 dB min.	43 dB
5) 2110 to 2155 MHz	42 dB min.	47 dB
6) 2400 to 2500 MHz	30 dB min.	38 dB
7) 3420 to 3510 MHz	20 dB min.	29 dB
8) 5130 to 5350 MHz	15 dB min.	28 dB
9) 5725 to 5850 MHz	20 dB min.	25 dB
Ripple Deviation (1710 to 1755MHz)	1.0 dB max.	0.5 dB
Any 5MHz Ripple Deviation (1710 to 1755MHz)	0.5 dB max.	0.2 dB
VSWR (1710 to 1755MHz)	2.0 max.	1.6
Ant Port Matching Impedance(normal)	50Ω	
Tx Port Matching Impedance(normal)	50Ω	
Rx Port Matching Impedance(nominal)	100Ω//12nH	
Input Signal Level	1.0W, 50000 hours (55°C)	

SAW DPX FOR WCDMA Band4 LR type

Murata part number :SAYZY1G73CA0F00 [Tx →ANT]

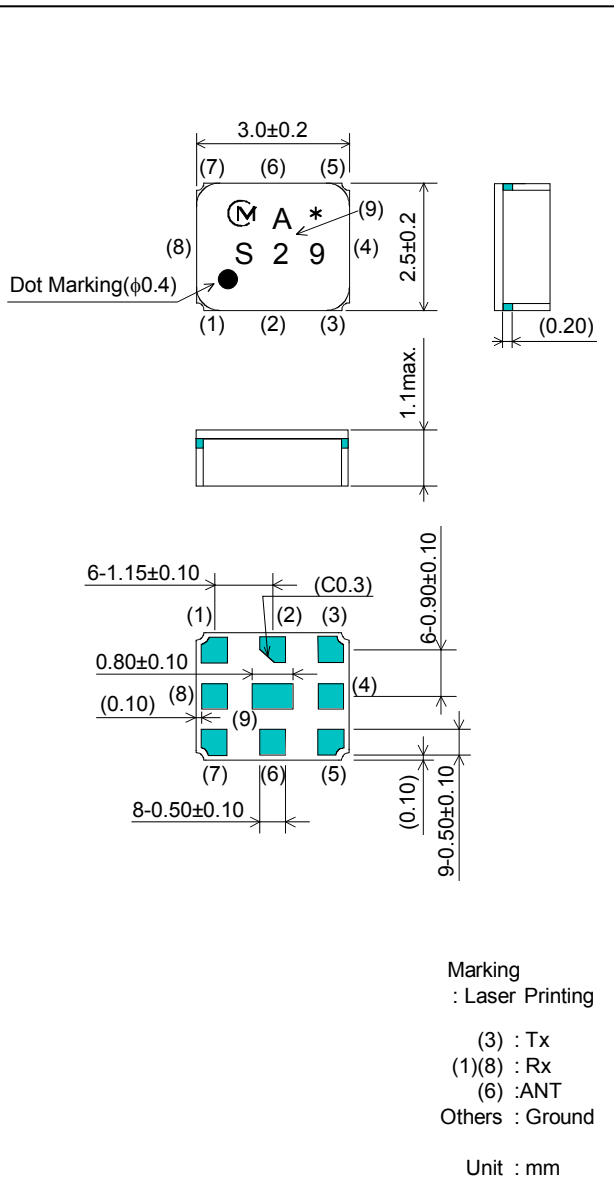
Frequency Performance



SAW DPX FOR WCDMA Band4 LR type

Murata part number :SAYZY1G73CA0F00 [ANT→Rx]

Package Dimensions



Specification

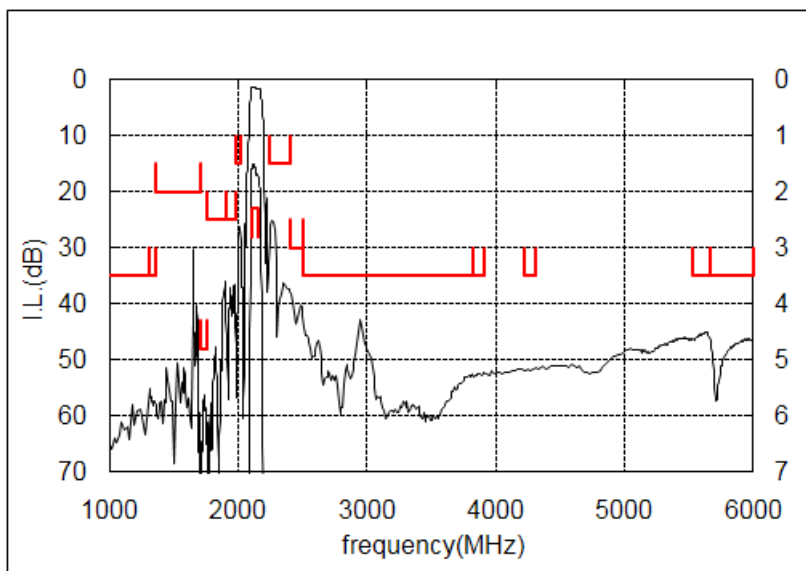
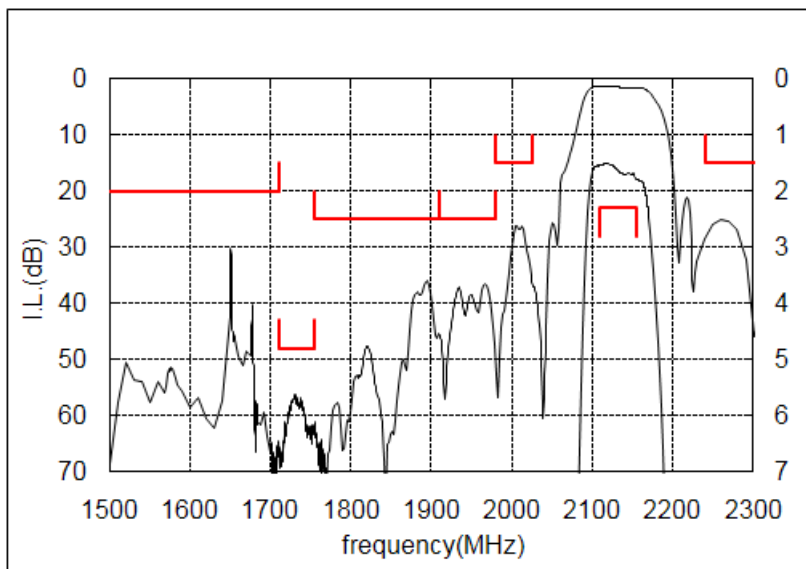
Item	Specification	
	-30 to 85°C	typ.
Nominal Center Frequency(fc)	2132.5MHz	
Insertion Loss (2110to 2155MHz)	2.3 dB max.	1.9 dB
Absolute Attenuation		
1) 0.3 to 1310 MHz	35 dB min.	53 dB
2) 1310 to 1355 MHz	35 dB min.	53 dB
3) 1355 to 1710 MHz	20 dB min.	30 dB
4) 1710 to 1755 MHz	48 dB min.	55 dB
5) 1755 to 1910 MHz	25 dB min.	36 dB
6) 1910 to 1980 MHz	25 dB min.	37 dB
7) 1980 to 2025 MHz	15 dB min.	26 dB
8) 2240 to 2400 MHz	15 dB min.	25 dB
9) 2400 to 2500 MHz	30 dB min.	37 dB
10) 2500 to 3820 MHz	35 dB min.	42 dB
11) 3820 to 3910 MHz	35 dB min.	53 dB
12) 4220 to 4310 MHz	35 dB min.	52 dB
13) 5530 to 5665 MHz	35 dB min.	48 dB
14) 5665 to 6000 MHz	35 dB min.	48 dB
Ripple Deviation (2110 to 2155MHz)	1.0 dB max.	0.4 dB
Any 5MHz Ripple Deviation (2110 to 2155MHz)	0.4 dB max.	0.2 dB
VSWR (2110 to 2155MHz)	2.0 max.	1.4
Amplitude Balance (2110 to 2155Hz)	± 1.4 dB max.	-1.0 dB
Phase Balance (2110 to 2155Hz)	180 ± 10 deg. max.	180-3.1deg.
Ant Port Matching Impedance(nominal)	50Ω	
Tx Port Matching Impedance(nominal)	50Ω	
Rx Port Matching Impedance(nominal)	100Ω//12nH	

SAW DPX FOR WCDMA Band4 LR type

Murata part number :SAYZY1G73CA0F00

[ANT→Rx]

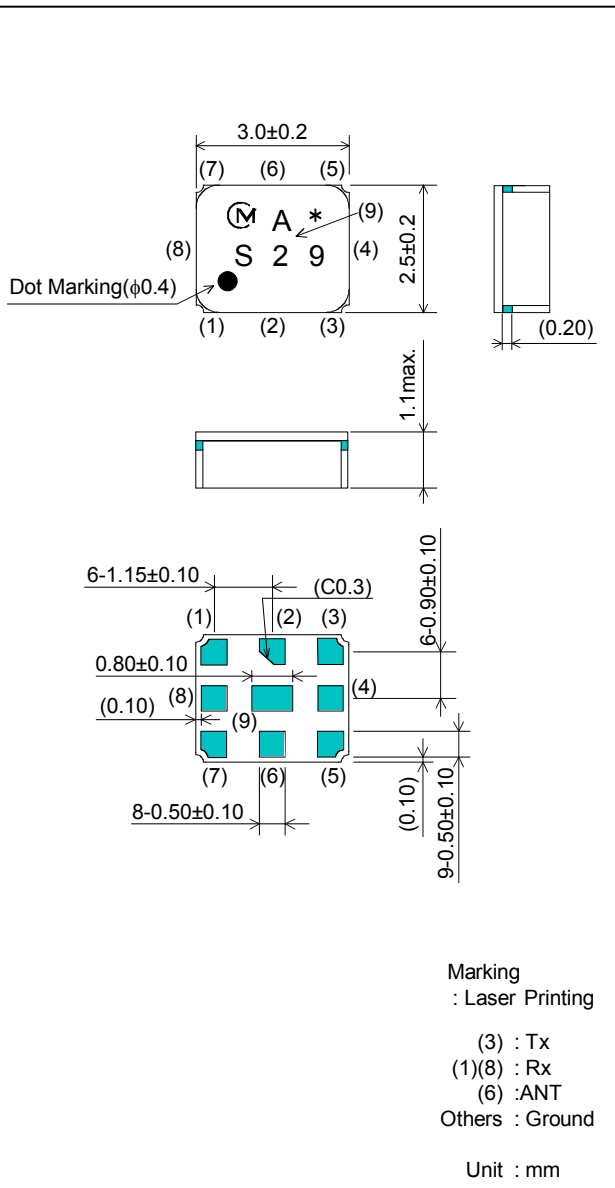
Frequency Performance



SAW DPX FOR WCDMA Band4 LR type

Murata part number : SAYZY1G73CA0F00 [Tx → Rx]

Package Dimensions



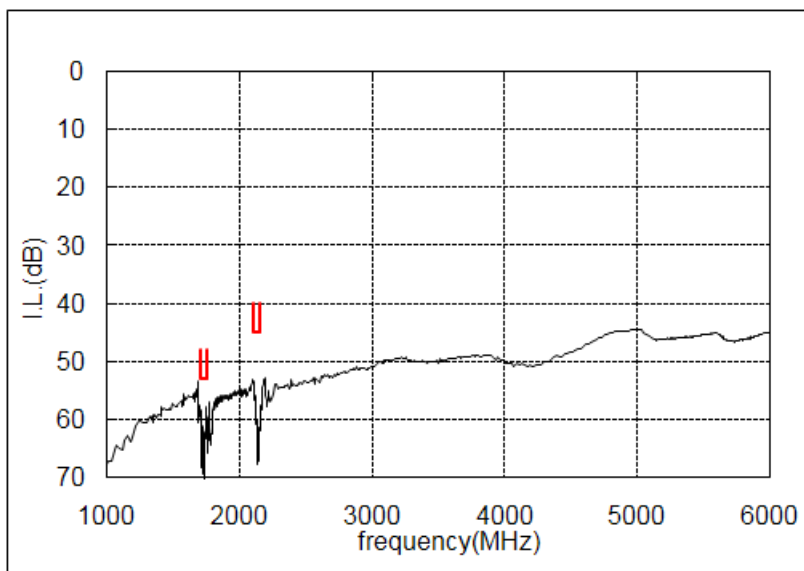
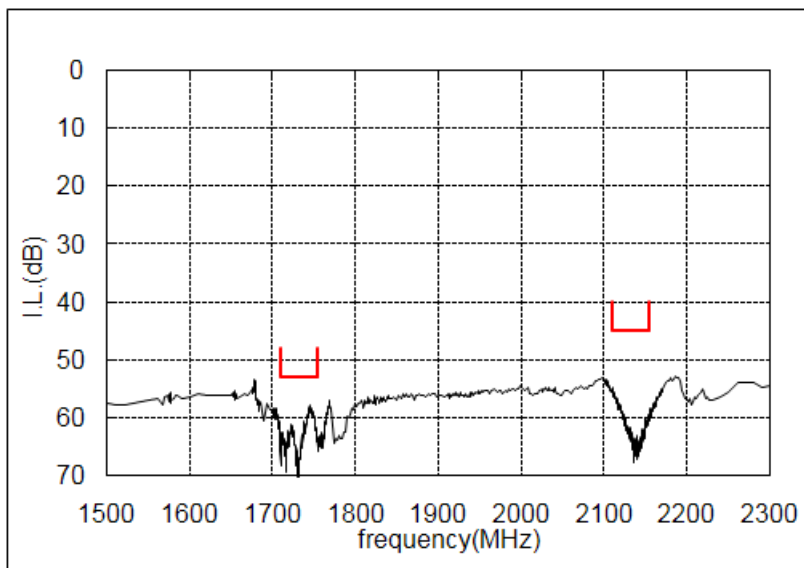
Specification

Item	Target Specification	
	-30 to 85°C	typ.
Isolation		
1) 1710 to 1755 MHz	53 dB min.	57 dB
2) 2110 to 2155 MHz	45 dB min.	52 dB

SAW DPX FOR WCDMA Band4 LR type

Murata part number :SAYZY1G73CA0F00 [Tx → Rx]

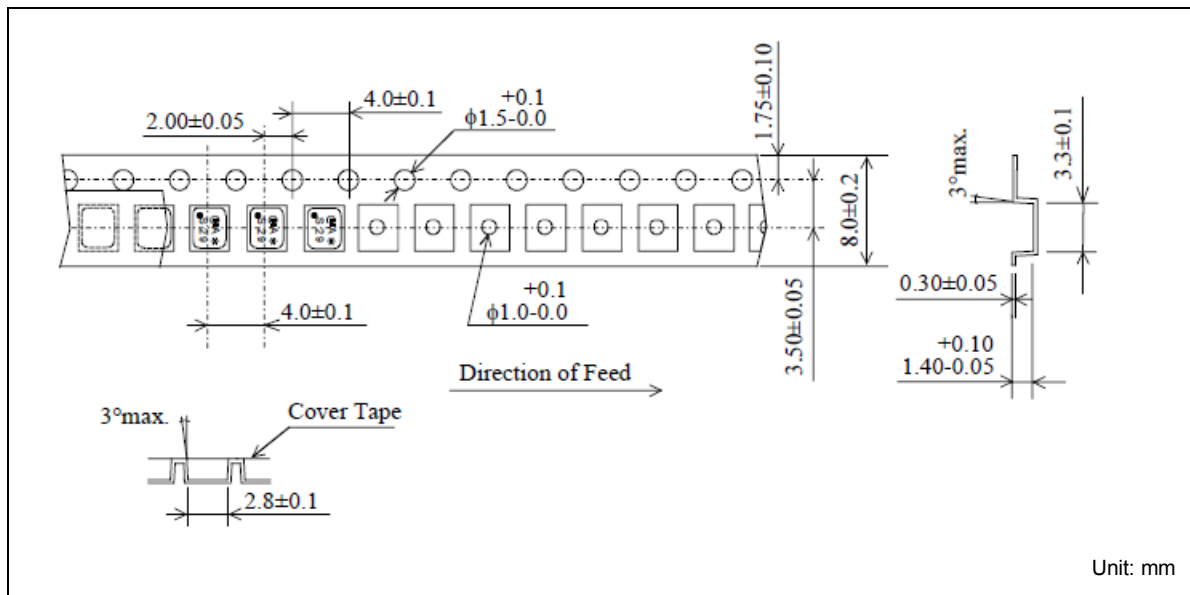
Frequency Performance



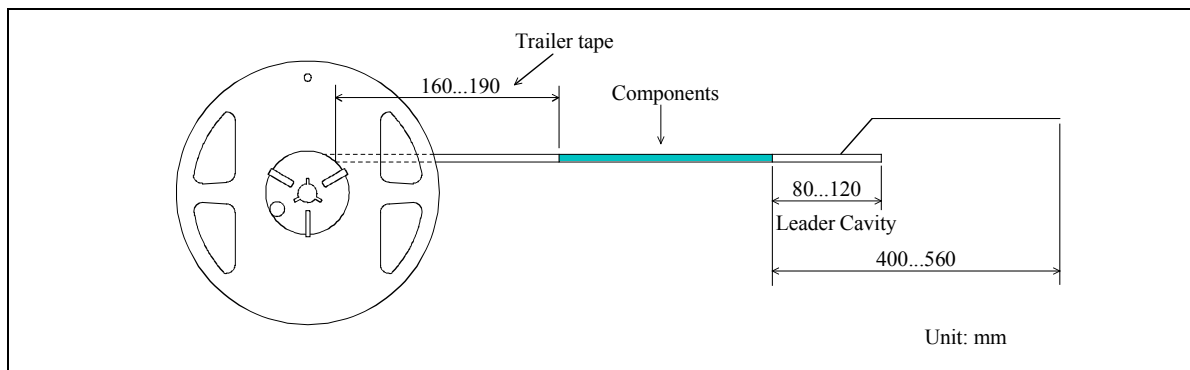
SAW DPX FOR WCDMA Band4 LR type

Murata part number :SAYZY1G73CA0F00

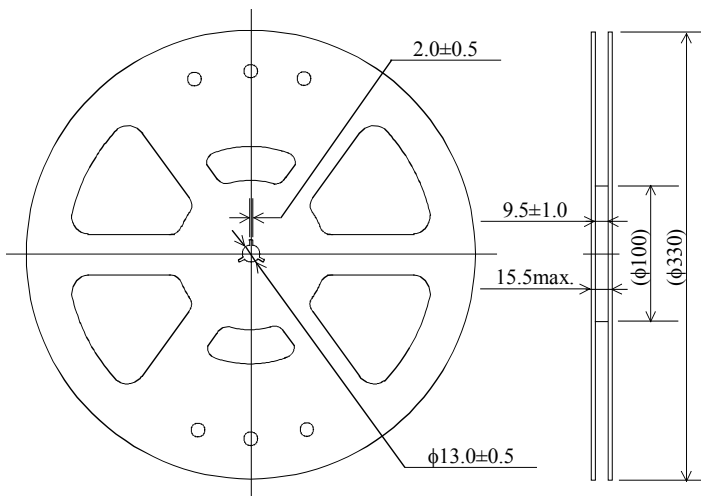
Dimensions of Carrier Tape



Dimensions of Tape



Dimensions of Reel

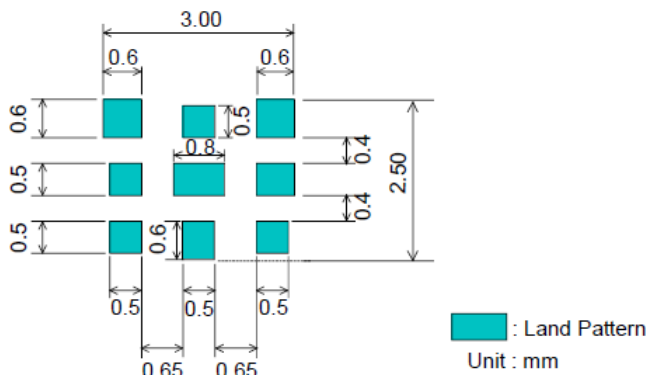


SAYZY1G73CA0F00R00 ... 10000pcs/reel
SAYZY1G73CA0F00R05 ... 5000pcs/reel

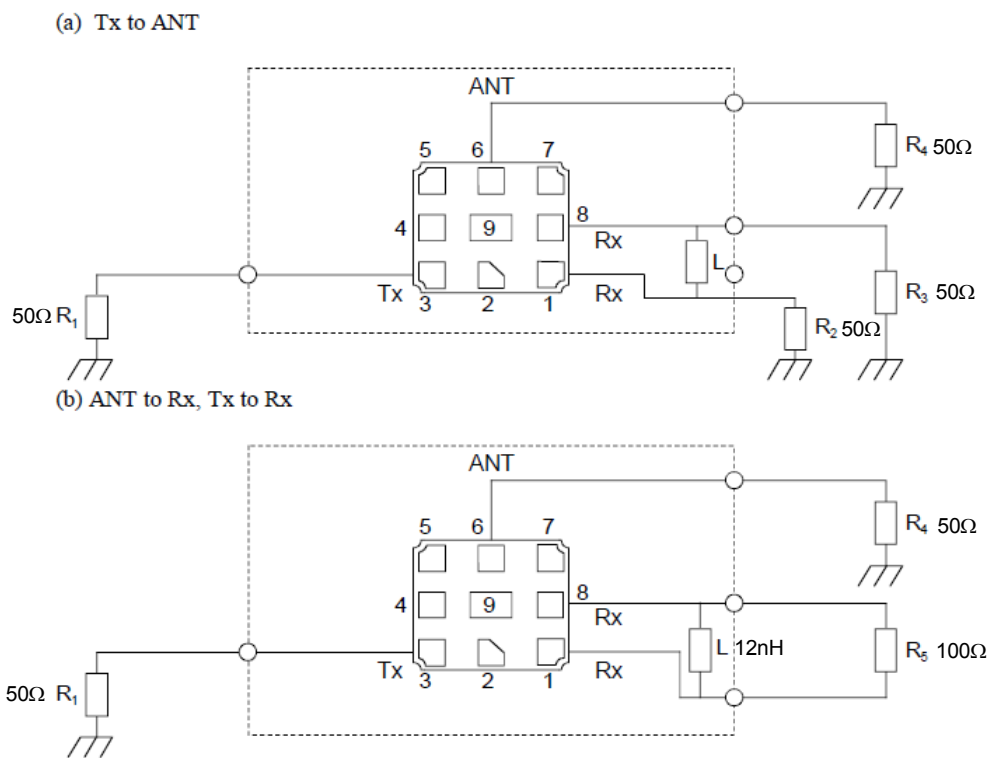
SAW DPX FOR WCDMA Band4 LR type

Murata part number :SAYZY1G73CA0F00

Recommended Land Pattern



Test Circuit



- This PDF Datasheet is downloaded from the website of Murata Manufacturing Co., Ltd. Therefore, it's specifications are subject to change or our products in it may be discontinued without advance notice. Please check with our sales representatives or product engineers before ordering.
- This PDF Datasheet has only typical specifications because there is no space for detailed specifications. Therefore, please approve our product specifications or transact the approval sheet for product specifications before ordering.