



Data Sheet of SAW Components



Note : Murata SAW Component is applicable for Cellular /Cordless phone (Terminal) relevant market only.

Please also read caution at the end of this document.

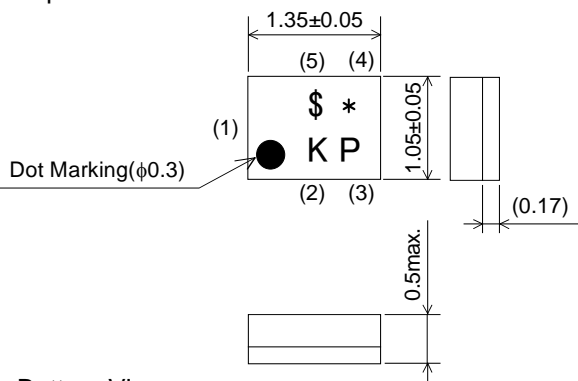
SAW FILTER FOR DECT

Murata part number : SAFEA1G89AA0F00

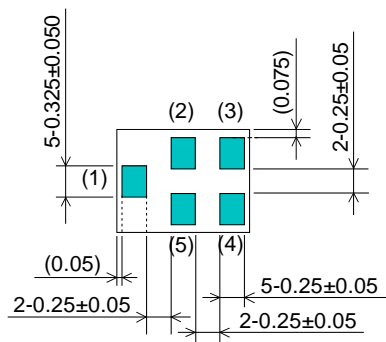
■ Package Dimensions

■ Specification

Top View



Bottom View



Marking
: Laser Printing

(1) : Unbalance Port
(4) : Unbalance Port
Others : Ground

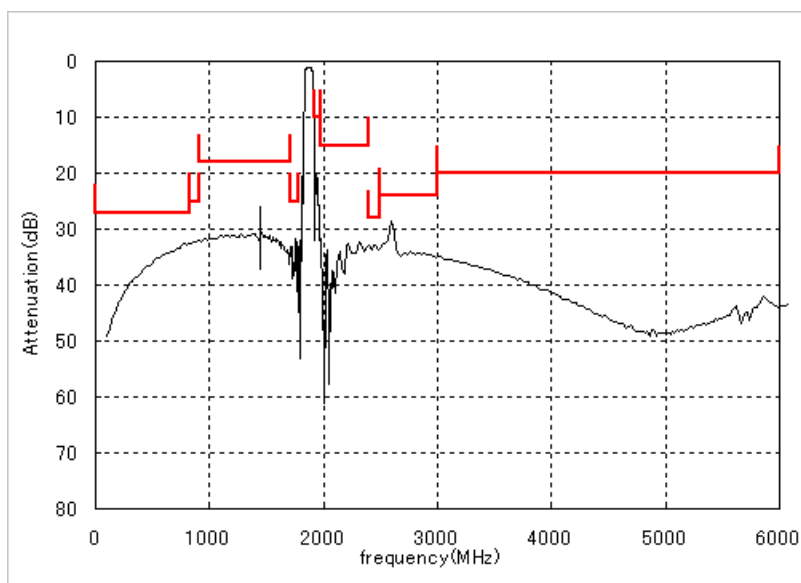
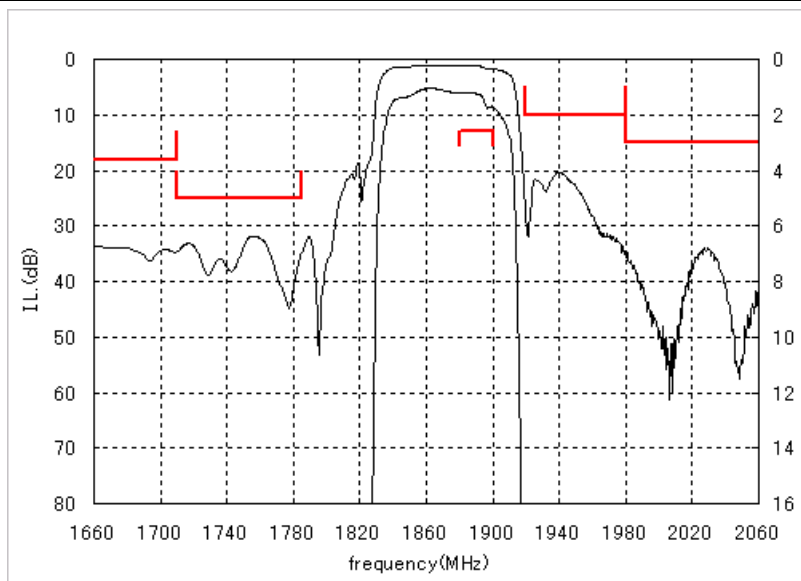
Unit : mm

Item	Specification		
	-30 to 85°C	25±2°C	typ.
Nominal Center Frequency(fc)	1890MHz		
Insertion Loss (1880 to 1900MHz)	2.6 dB max.	2.5 dB max.	1.7 dB
Absolute Attenuation			
1) 1 to 824 MHz	27 dB min.	27 dB min.	32 dB
2) 824 to 915 MHz	25 dB min.	25 dB min.	32 dB
3) 915 to 1710 MHz	18 dB min.	18 dB min.	25 dB
4) 1710 to 1785 MHz	25 dB min.	25 dB min.	32 dB
5) 1920 to 1980 MHz	10 dB min.	17 dB min.	20 dB
6) 1980 to 2400 MHz	15 dB min.	15 dB min.	32 dB
7) 2400 to 2500 MHz	28 dB min.	28 dB min.	33 dB
8) 2500 to 3000 MHz	24 dB min.	24 dB min.	29 dB
9) 3000 to 6000 MHz	20 dB min.	20 dB min.	35 dB
Ripple Deviation (1880 to 1900MHz)	1.8 dB max.	1.6 dB max.	0.5dB
VSWR (1880 to 1900MHz)	2.3 max.	2.1 max.	1.6
Unbalance Port Matching Impedance (nominal)	50Ω		
Input Signal Level	20mW (+13dBm), 2000 hours		

SAW FILTER FOR DECT

Murata part number : SAFEA1G89AA0F00

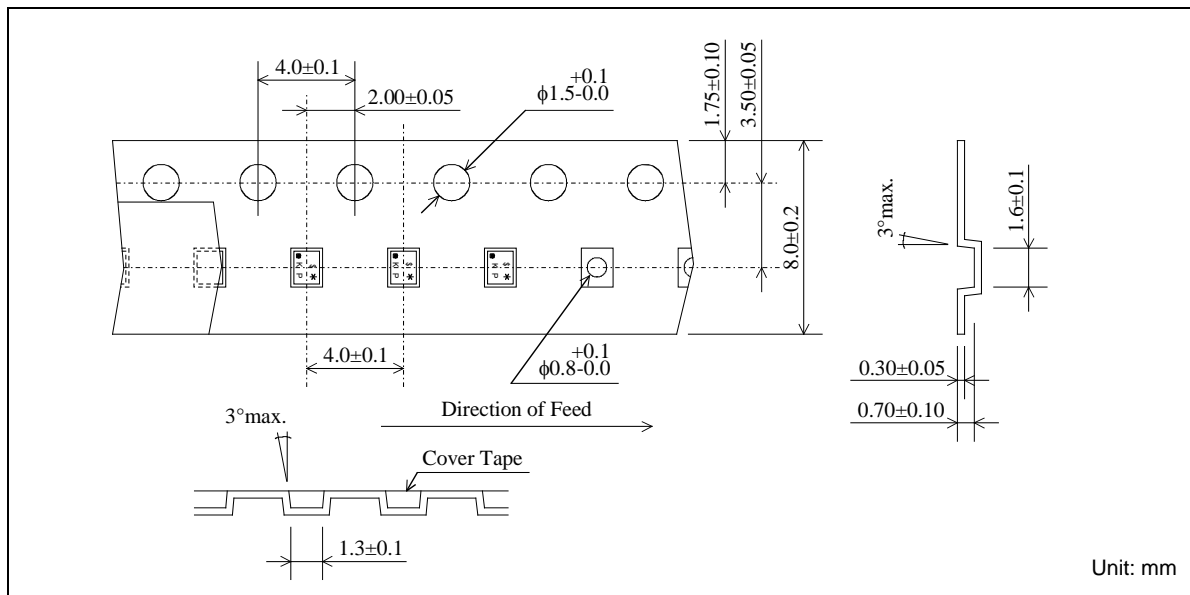
■ Frequency Performance



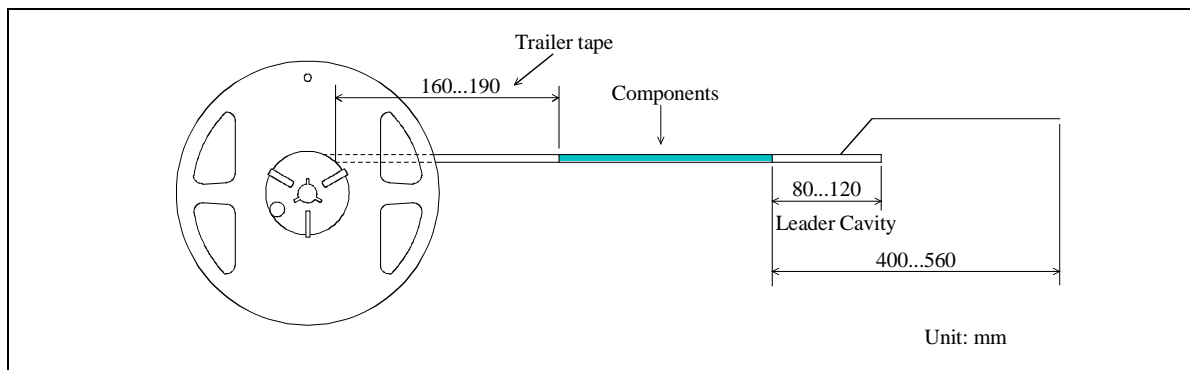
SAW FILTER FOR DECT

Murata part number : SAFEA1G89AA0F00

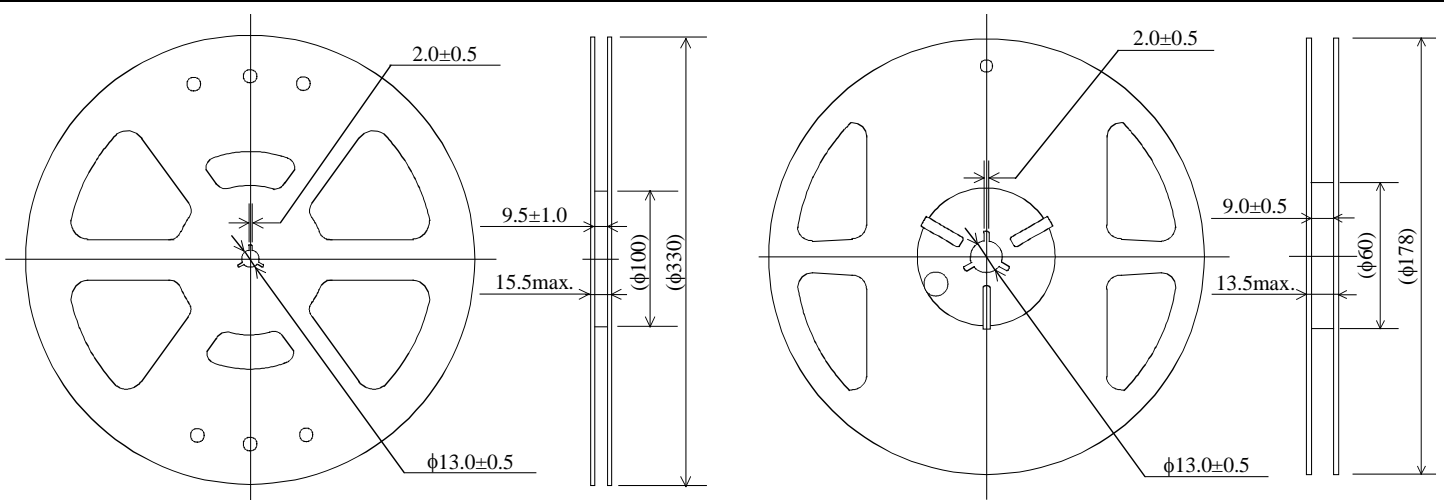
Dimensions of Carrier Tape



Dimensions of Tape



Dimensions of Reel



SAFEA1G89AA0F00R00 ... 10000pcs/reel

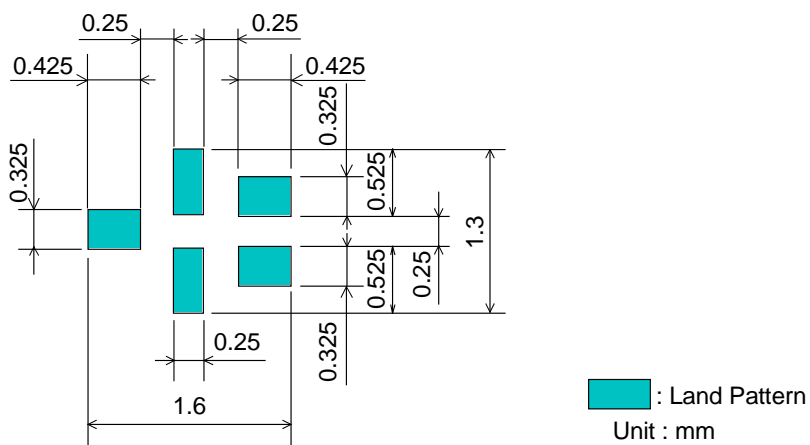
SAFEA1G89AA0F00R15 ... 5000pcs/reel

SAW FILTER FOR DECT

Murata part number : SAFEA1G89AA0F00

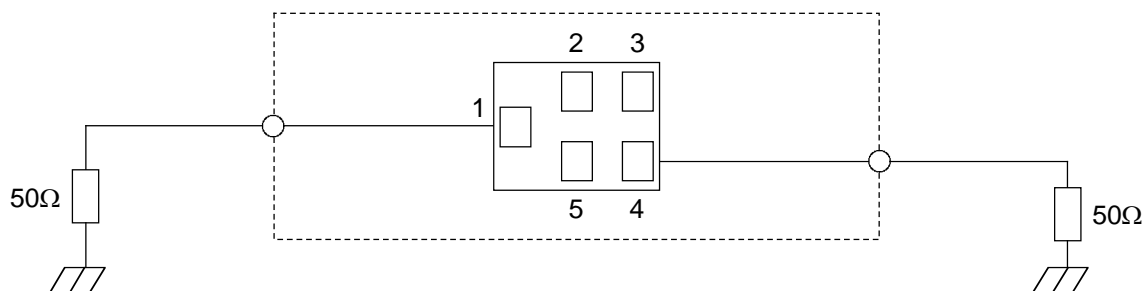
Recommended Land Pattern

Top View



Test Circuit

Bottom View



SAW FILTER FOR DECT

Murata part number : SAFEA1G89AA0F00

■ RoHS Compliance

This component is compliant with RoHS directive.

This component was always RoHS compliant from the first date of manufacture.

• Caution - Limitation of Applications
 This product is intended for the following applications only; however, please do not use this product in these applications where defects might directly cause damage to a third party's life, body or property.

a. Mobile Telephone
 b. Cordless phone (except for Automotive use)
 c. PC (Including Notebook PC, Netbook PC, Tablet)
 d. Game
 e. Camera (except for Business/security use)
 f. Set Top Box
 g. Electronic dictionary
 h. Digital audio equipment

• This catalog is for reference only and not an official product specification document, therefore, please review and approve our official product specification before ordering this product.

■ Marking code

Table 1 * : EIAJ Code

This rule of code is applied repeatedly every four year.

2009 2013 2017	Jan.	Feb.	Mar.	Apr.	May	Jun.	Jul.	Aug.	Sep.	Oct.	Nov.	Dec.
	A	B	C	D	E	F	G	H	J	K	L	M
2010 2014 2018	Jan.	Feb.	Mar.	Apr.	May	Jun.	Jul.	Aug.	Sep.	Oct.	Nov.	Dec.
	N	P	Q	R	S	T	U	V	W	X	Y	Z
2011 2015 2019	Jan.	Feb.	Mar.	Apr.	May	Jun.	Jul.	Aug.	Sep.	Oct.	Nov.	Dec.
	a	b	c̄	d	e	f	g	h	j	k	l	m
2012 2016 2020	Jan.	Feb.	Mar.	Apr.	May	Jun.	Jul.	Aug.	Sep.	Oct.	Nov.	Dec.
	n	p	q	r	s	t	u	v	w	x	y	z

Table 2 \$: Date Code

date	1st	2nd	3rd	4th	5th	6th	7th	8th	9th	10th	
code	A	B	C	D	E	F	G	H	J	K	
date	11th	12th	13th	14th	15th	16th	17th	18th	19th	20th	
code	L	M	N	P	Q	R	S	T	U	V	
date	21st	22nd	23rd	24th	25th	26th	27th	28th	29th	30th	31st
code	W	X	Y	Z	a	b	c̄	d	e	f	g