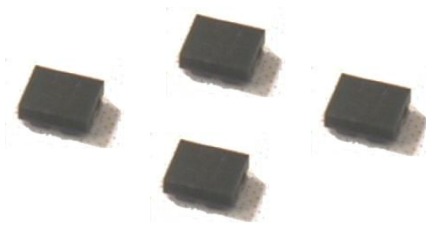




# Data Sheet of SAW Components



Note : Murata SAW Component is applicable for Cellular /Cordless phone (Terminal) relevant market only.

Please also read caution at the end of this document.

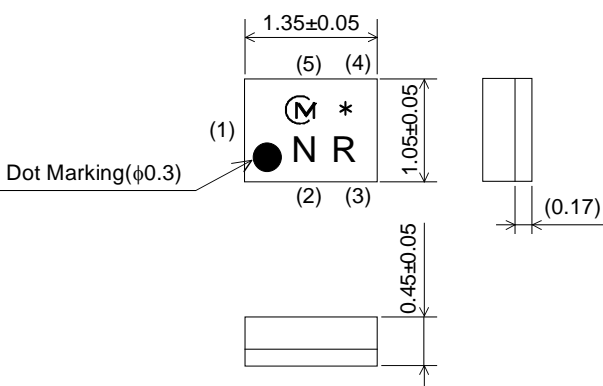
# SAW FILTER FOR CDMA2000 BC0 SC2+BC3

Murata part number : SAFEA859MAL0F00

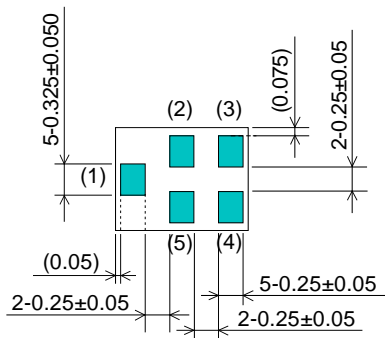
## Package Dimensions

## Specification

Top View



Bottom View



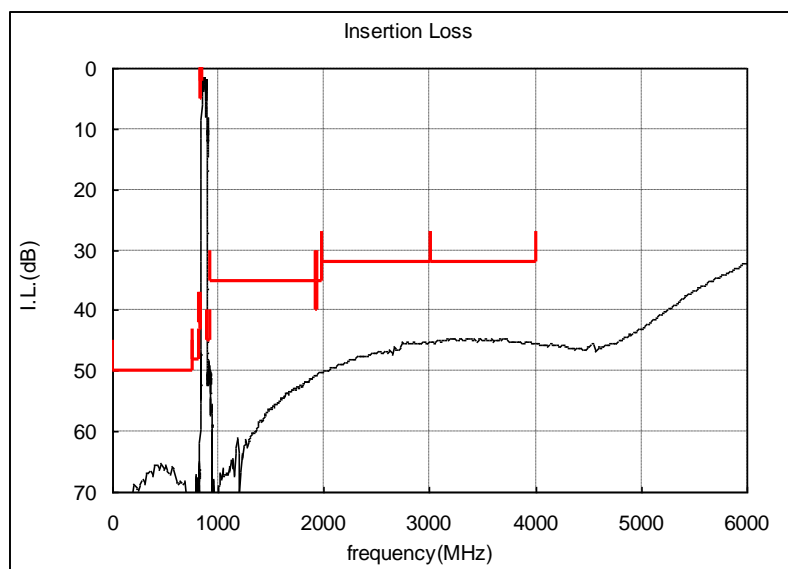
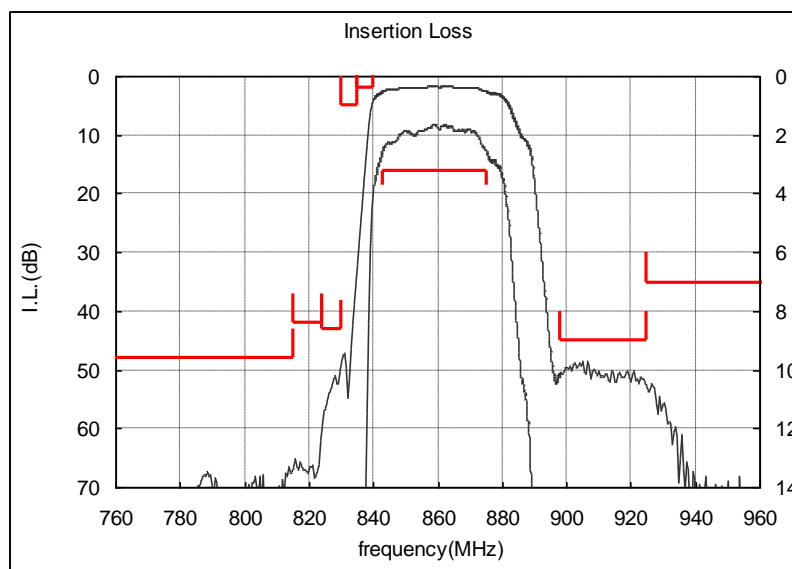
Marking  
: Laser Printing  
  
(1) : Unbalance Port  
(4) : Unbalance Port  
Others : Ground  
  
Unit : mm

Item	Target Specification		
	-30 to 85°C	25±2°C	typ.
Nominal Center Frequency(fc)	859MHz		
Insertion Loss (843 to 870MHz)	-	2.8 dB max.	2.6 dB
(843 to 875MHz)	3.2 dB max.	-	2.8 dB
(870 to 875MHz)	-	3.1 dB max.	2.8 dB
Absolute Attenuation			
1) 0.3 to 750 MHz	50 dB min.	50 dB min.	63 dB
2) 750 to 815 MHz	48 dB min.	48 dB min.	59 dB
3) 815 to 824 MHz	42 dB min.	42 dB min.	51 dB
4) 824 to 830 MHz	43 dB min.	43 dB min.	46 dB
5) 830 to 835 MHz	5 dB min.	5 dB min.	24 dB
6) 835 to 840 MHz	2 dB min.	2 dB min.	3.2 dB
7) 898 to 925 MHz	45 dB min.	45 dB min.	49 dB
8) 925 to 1920 MHz	35 dB min.	35 dB min.	46 dB
9) 1920 to 1940 MHz	40 dB min.	40 dB min.	46 dB
10) 1940 to 1980 MHz	35 dB min.	35 dB min.	46 dB
11) 1980 to 3000 MHz	32 dB min.	32 dB min.	42 dB
12) 3000 to 4000 MHz	32 dB min.	32 dB min.	42 dB
Ripple Deviation (843 to 875MHz)	1.8 dB max.	1.8 dB max.	1.1 dB
VSWR (843 to 870MHz)	2.0 max.	1.9 max.	1.7
(870 to 875MHz)	2.2 max.	2.1 max.	1.8
Unbalance Port Matching Impedance (nominal)	50Ω		
Input Signal Level	31.6mW (+15dBm), 2000 hours		

# SAW FILTER FOR CDMA2000 BC0 SC2+BC3

Murata part number : SAFEA859MAL0F00

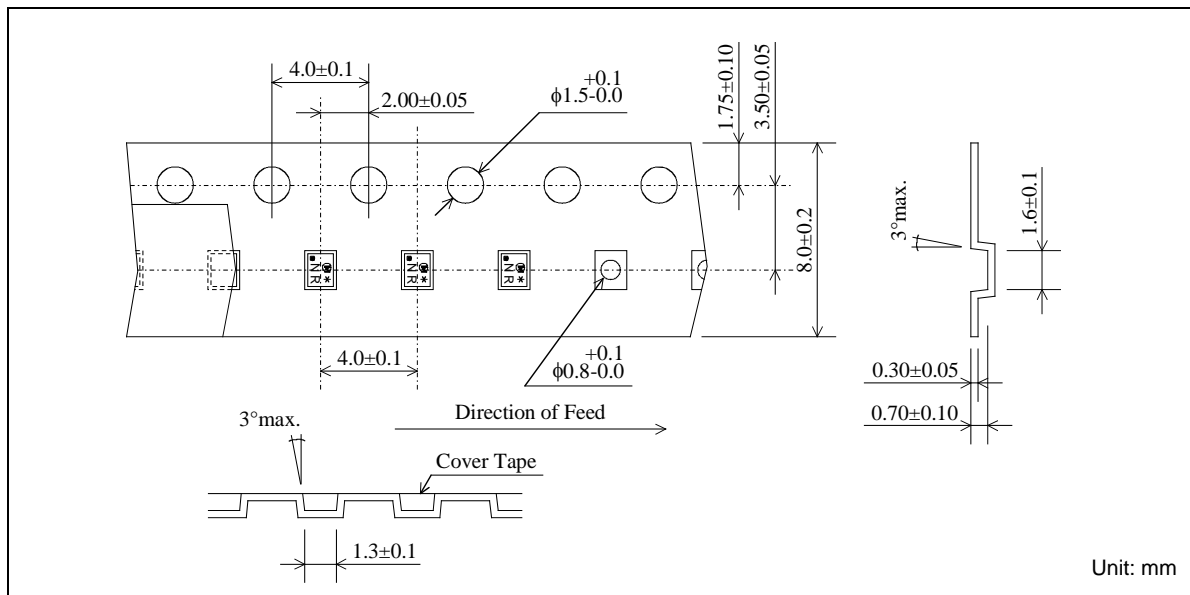
## Frequency Performance



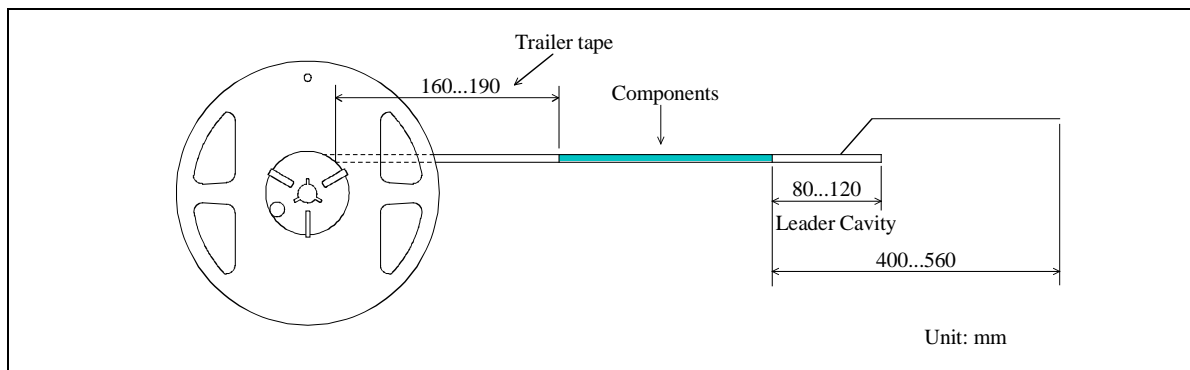
# SAW FILTER FOR CDMA2000 BC0 SC2+BC3

Murata part number : SAFEA859MAL0F00

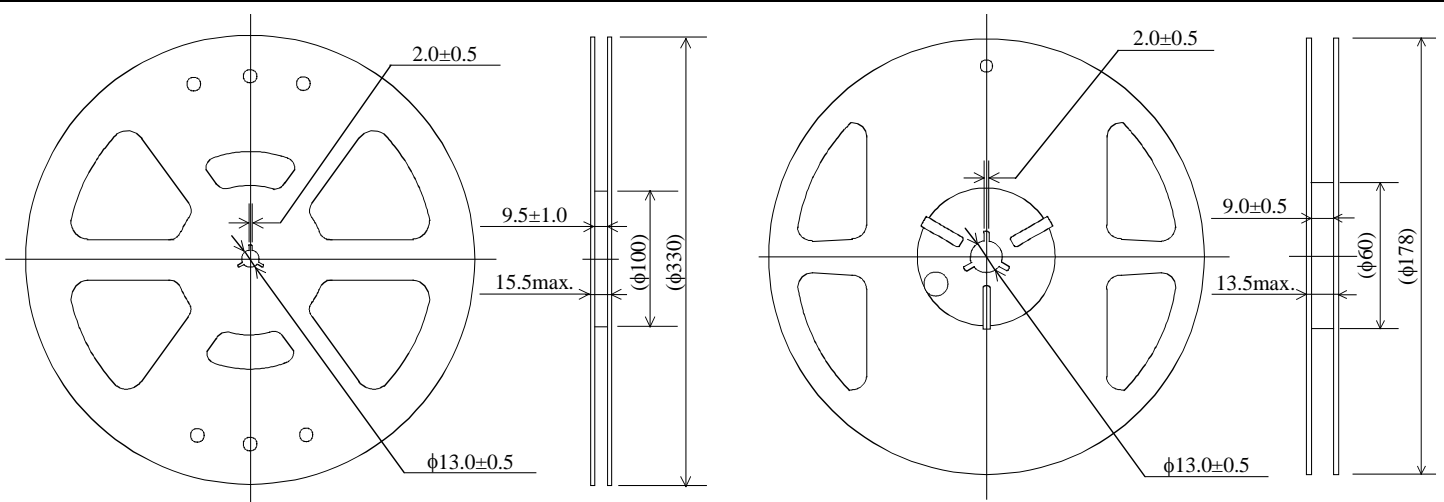
## Dimensions of Carrier Tape



## Dimensions of Tape



## Dimensions of Reel



SAFEA859MAL0F00R00 ... 10000pcs/reel

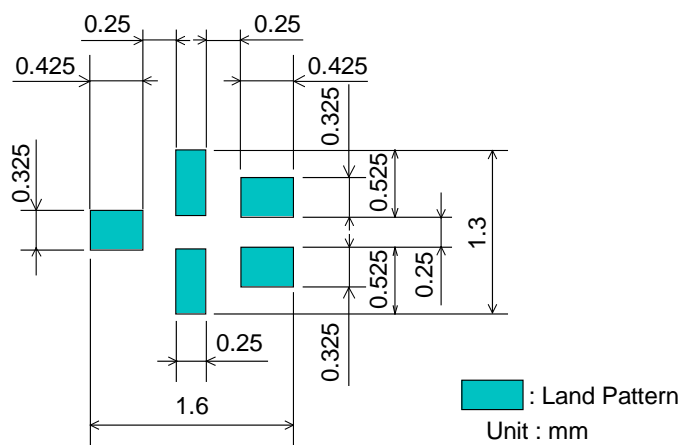
SAFEA859MAL0F00R15 ... 5000pcs/reel

# SAW FILTER FOR CDMA2000 BC0 SC2+BC3

Murata part number : SAFEA859MAL0F00

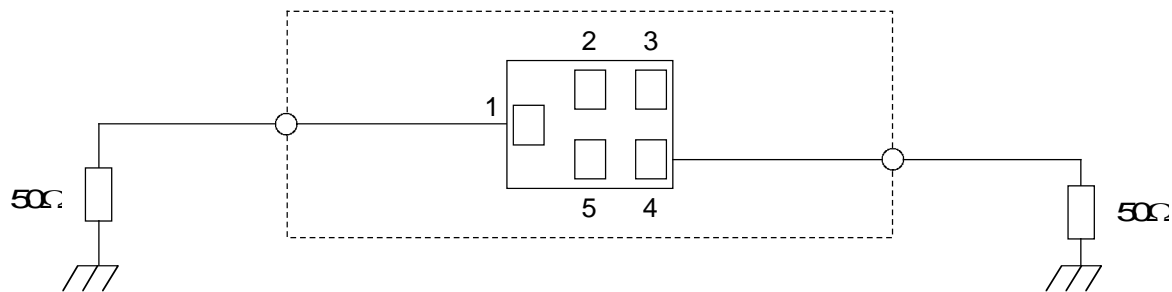
## Recommended Land Pattern

Top View



## Test Circuit

Bottom View



# SAW FILTER FOR CDMA2000 BC0 SC2+BC3

Murata part number : SAFEA859MAL0F00

## ■ RoHS Compliance

This component is compliant with RoHS directive.

This component was always RoHS compliant from the first date of manufacture.

### • Caution - Limitation of Applications

This product is intended for the following applications only; however, please do not use this product in these applications where defects might directly cause damage to a third party's life, body or property.

- a. Mobile Telephone
- b. Cordless phone (except for Automotive use)
- c. PC (Including Notebook PC, Netbook PC, Tablet)
- d. Game
- e. Camera (except for Business/security use)
- f. Set Top Box
- g. Electronic dictionary
- h. Digital audio equipment

• This catalog is for reference only and not an official product specification document, therefore, please review and approve our official product specification before ordering this product.