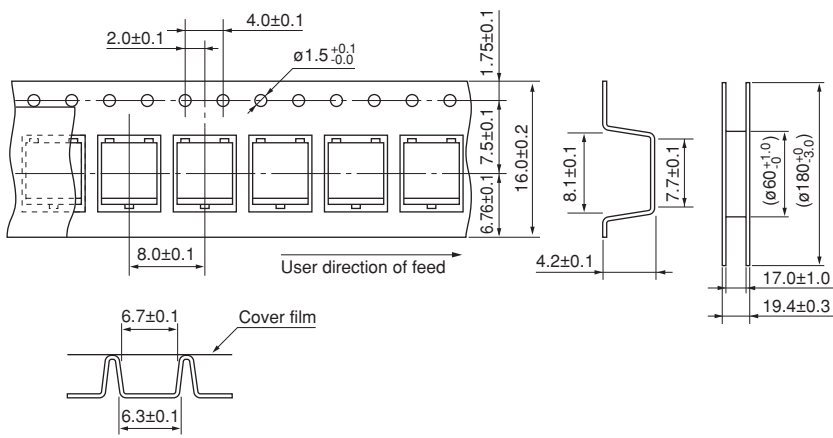
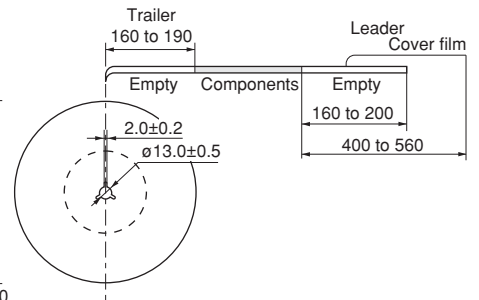


Dimensions of Carrier Tape



Dimensions of Reel



• Part number marked side is always facing up.

(in mm)