



Data Sheet of SAW Components



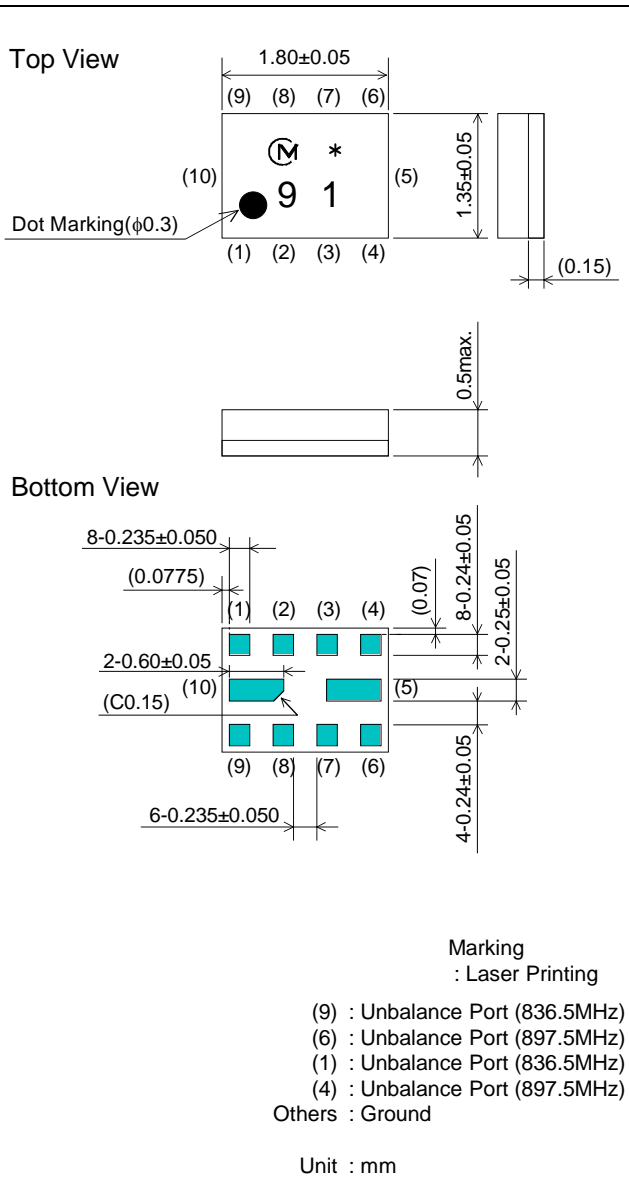
Note : Murata SAW Component is applicable for Cellular /Cordless phone (Terminal) relevant market only.

Please also read caution at the end of this document.

SAW FILTER FOR GSM850/900 Tx

Murata part number :SAWEN836MBA0F00 (fc=836.5MHz)

Package Dimensions



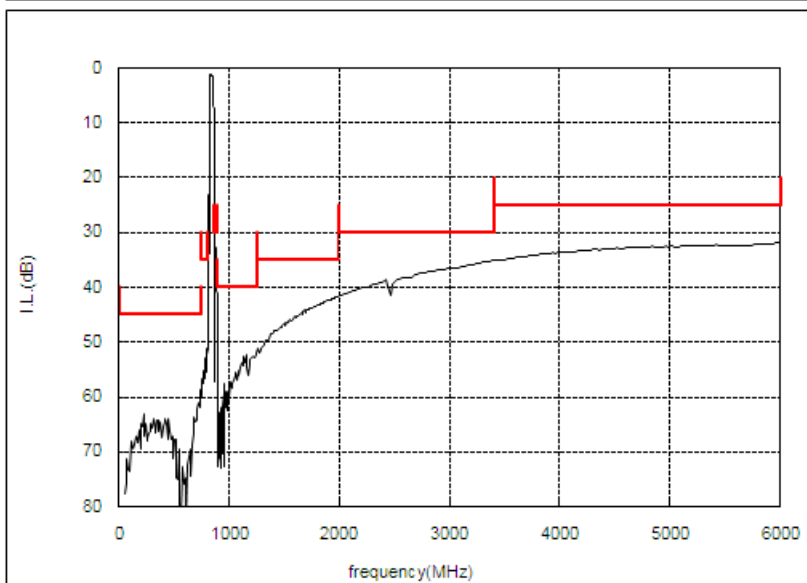
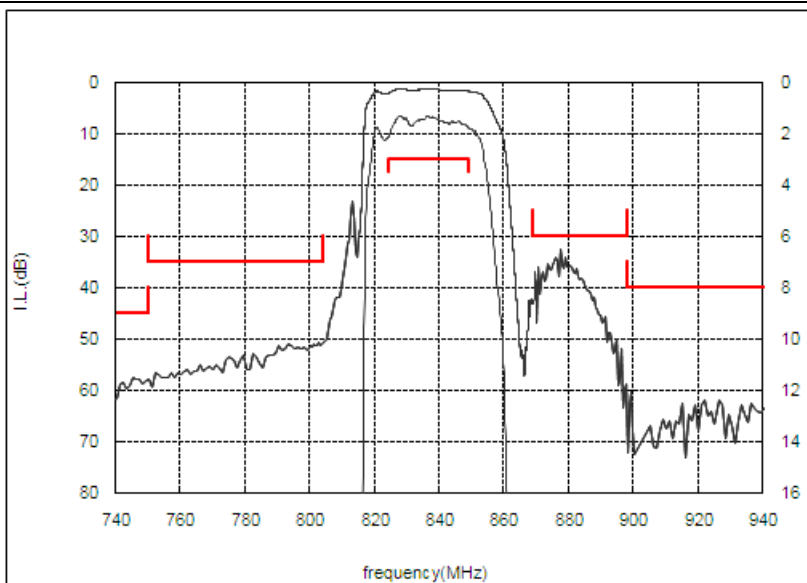
Specification

Item	Specification		
	-30 to 85°C	25±2°C	typ.
Nominal Center Frequency(fc)	836.5MHz		
Insertion Loss (824 to 849MHz)	3.0 dB max.	2.8 dB max.	2.3 dB
Absolute Attenuation			
1) 0.1 to 750 MHz	45 dB min.	45 dB min.	48 dB
2) 750 to 804 MHz	35 dB min.	40 dB min.	43 dB
3) 869 to 898 MHz	30 dB min.	30 dB min.	33 dB
4) 898 to 1250 MHz	40 dB min.	40 dB min.	44 dB
5) 1250 to 1990 MHz	35 dB min.	35 dB min.	41 dB
6) 1990 to 3400 MHz	30 dB min.	30 dB min.	34 dB
7) 3400 to 6000 MHz	25 dB min.	25 dB min.	33 dB
Ripple Deviation (824 to 849MHz)	1.6dB max.	1.4dB max.	0.8 dB
VSWR (824 to 830MHz)	2.6 max.	2.4 max.	1.9
VSWR (830 to 849MHz)	1.9 max.	1.9 max.	1.8
Unbalance Port Matching Impedance (nominal)	50Ω		
Input Signal Level	31.6mW (+15dBm), 2000 hours		

SAW FILTER FOR GSM850/900 Tx

Murata part number :SAWEN836MBA0F00 (fc=836.5MHz)

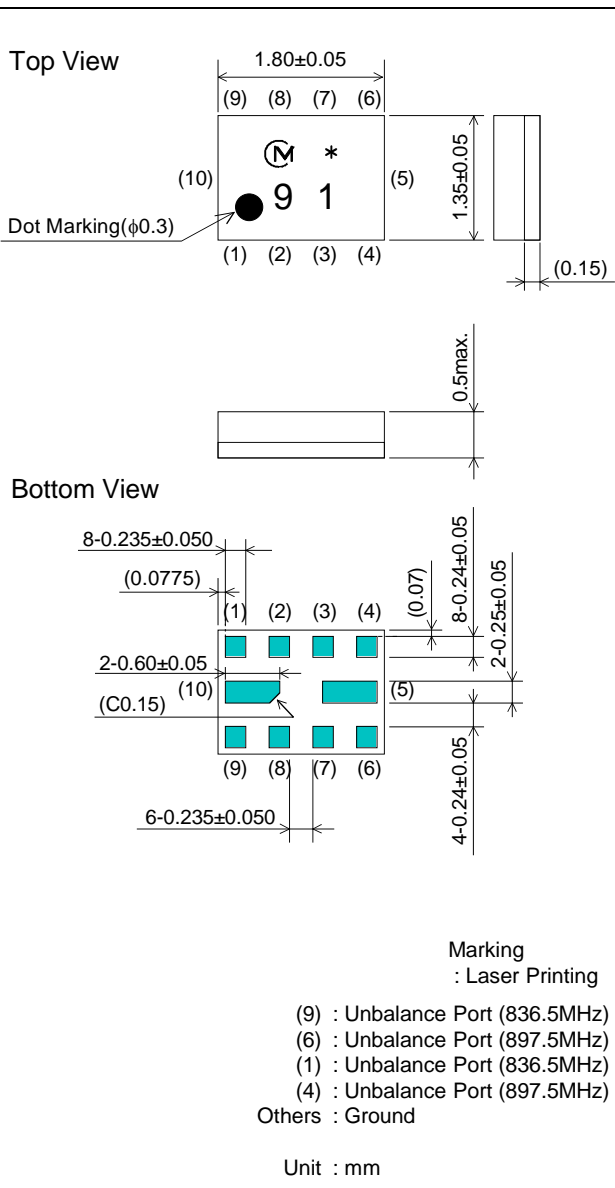
Frequency Performance



SAW FILTER FOR GSM850/900 Tx

Murata part number :SAWEN836MBA0F00 (fc=897.5MHz)

Package Dimensions



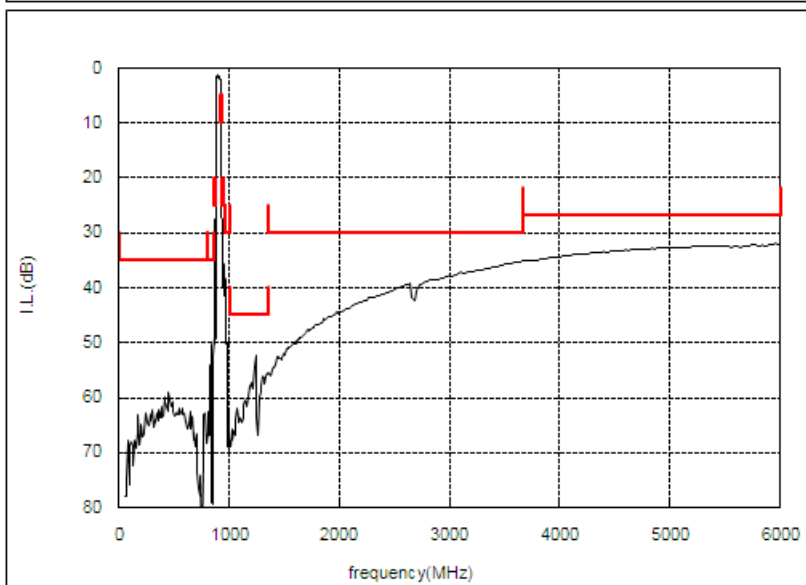
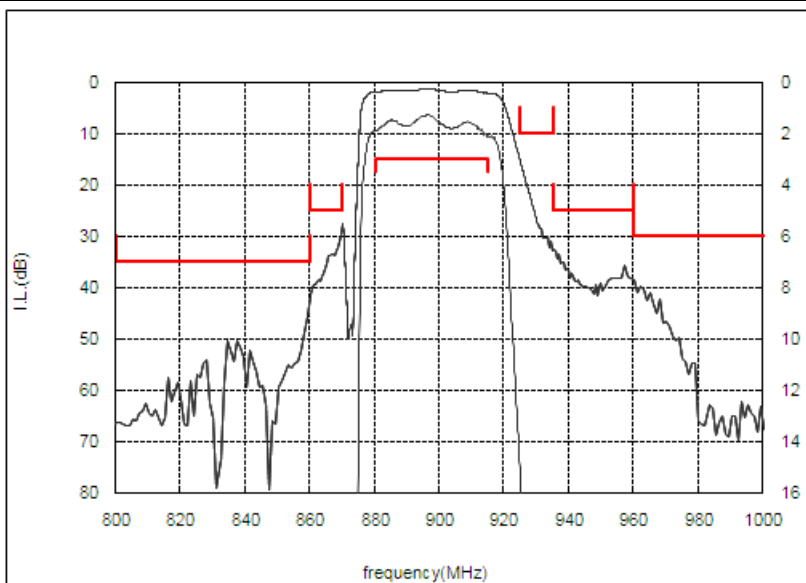
Specification

Item	Specification		
	-30 to 85°C	25±2°C	typ.
Nominal Center Frequency(fc)	897.5MHz		
Insertion Loss (880 to 915MHz)	3.0 dB max.	2.6 dB max.	2.2 dB
Absolute Attenuation			
1) 0.1 to 800 MHz	35 dB min.	35 dB min.	49 dB
2) 800 to 860 MHz	35 dB min.	35 dB min.	42 dB
3) 860 to 870 MHz	25 dB min.	25 dB min.	28 dB
4) 925 to 935 MHz	10 dB min.	12 dB min.	17 dB
5) 935 to 960 MHz	25 dB min.	28 dB min.	32 dB
6) 960 to 1010 MHz	30 dB min.	30 dB min.	40 dB
7) 1010 to 1360 MHz	45 dB min.	45 dB min.	47 dB
8) 1360 to 3660 MHz	30 dB min.	30 dB min.	35 dB
9) 3660 to 6000 MHz	27 dB min.	27 dB min.	33 dB
Ripple Deviation (880 to 915MHz)	1.7 dB max.	1.2 dB max.	0.9 dB
VSWR (880 to 915MHz)	2.2 max.	2.0 max.	1.8
Unbalance Port Matching Impedance (nominal)	50Ω		
Input Signal Level	31.6mW (+15dBm), 2000 hours		

SAW FILTER FOR GSM850/900 Tx

Murata part number :SAWEN836MBA0F00 (fc=897.5MHz)

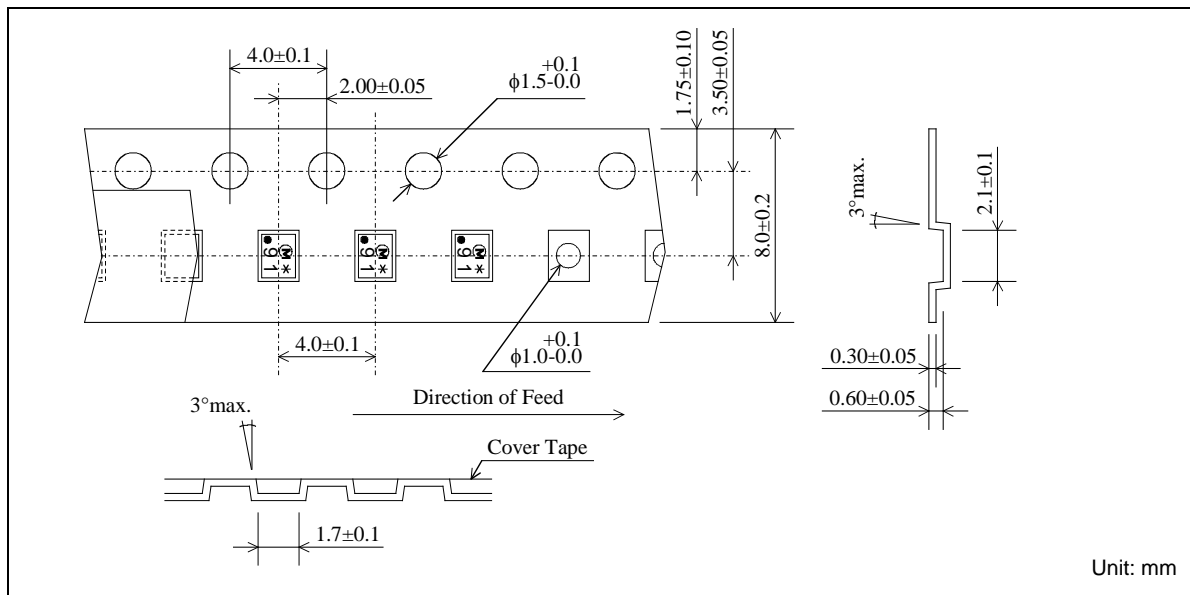
Frequency Performance



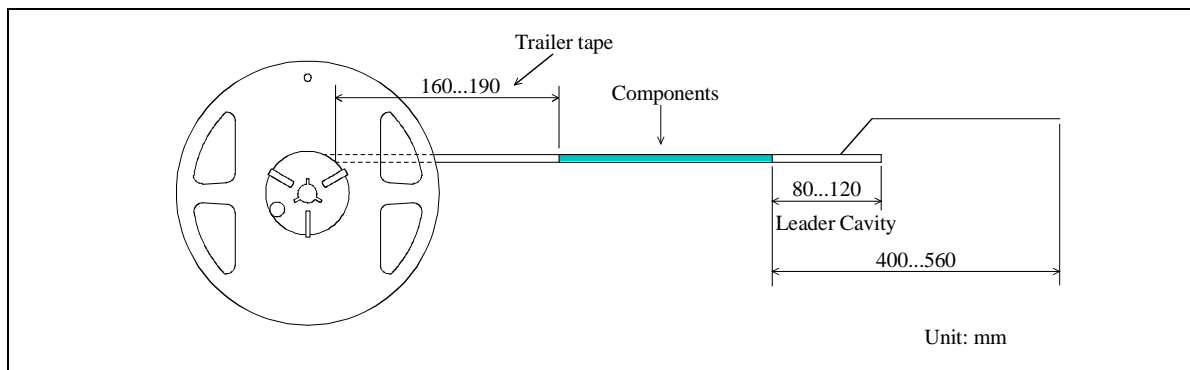
SAW FILTER FOR GSM850/900 Tx

Murata part number :SAWEN836MBA0F00

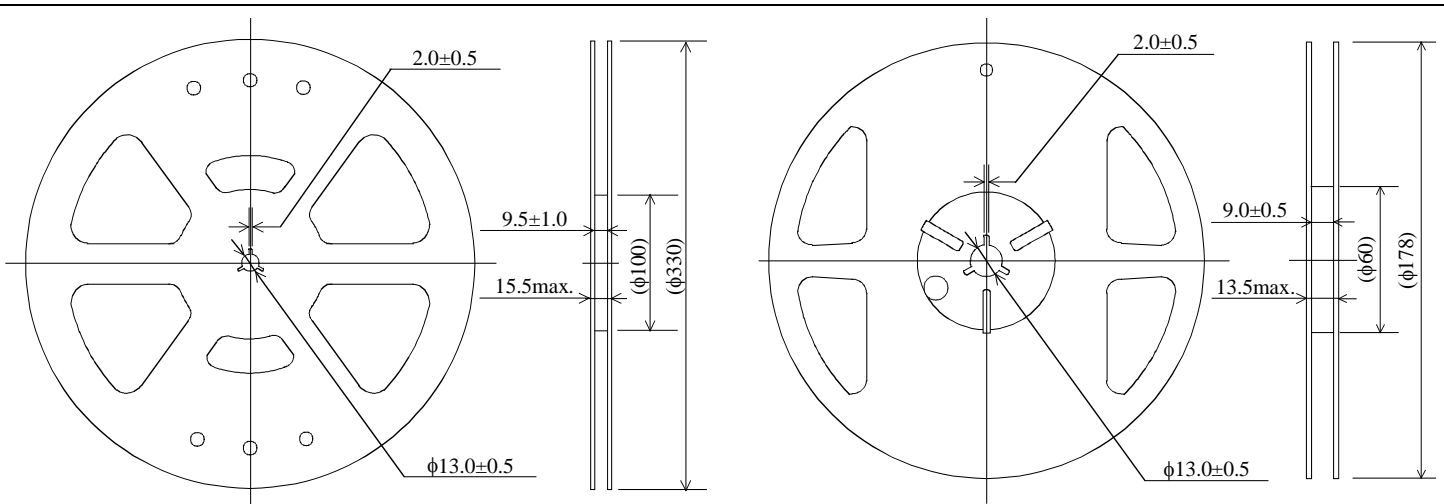
Dimensions of Carrier Tape



Dimensions of Tape



Dimensions of Reel



SAWEN836MBA0F00R00 ... 10000pcs/reel

SAWEN836MBA0F00R15 ... 5000pcs/reel

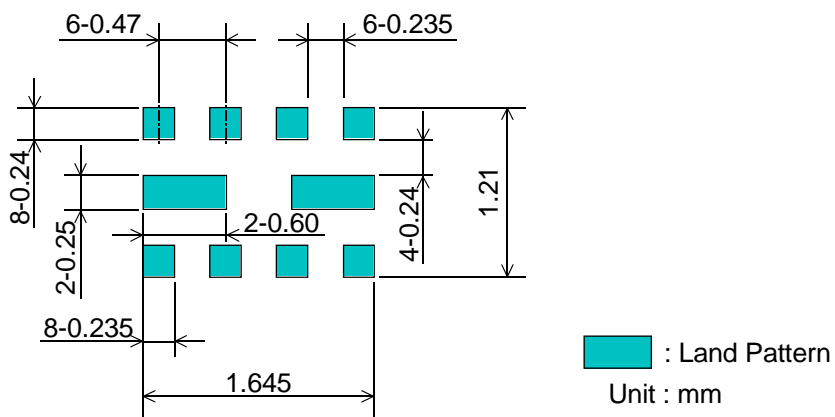
Unit: mm

SAW FILTER FOR GSM850/900 Tx

Murata part number :SAWEN836MBA0F00

Recommended Land Pattern

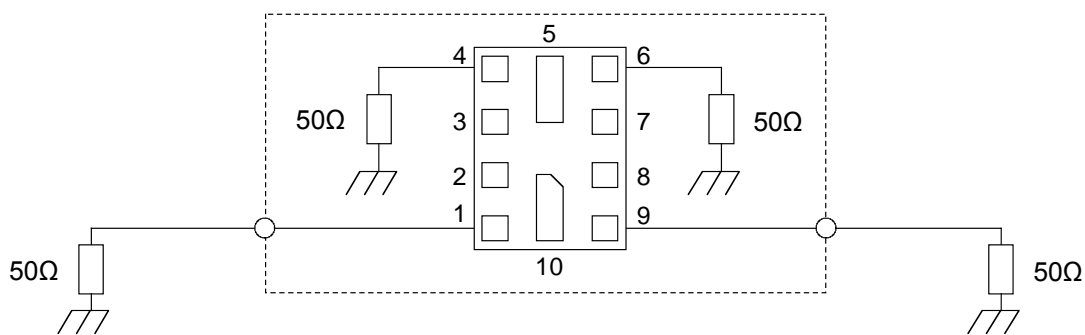
Top View



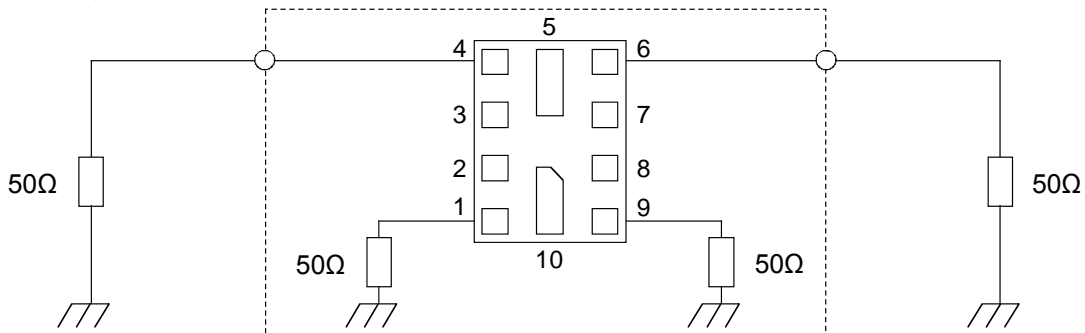
Test Circuit

Bottom View

800MHz



900MHz



SAW FILTER FOR GSM850/900 Tx

Murata part number :SAWEN836MBA0F00

■ RoHS Compliance

This component is compliant with RoHS directive.

This component was always RoHS compliant from the first date of manufacture.

• Caution - Limitation of Applications

This product is intended for the following applications only; however, please do not use this product in these applications where defects might directly cause damage to a third party's life, body or property.

- a. Mobile Telephone
- b. Cordless phone (except for Automotive use)
- c. PC (Including Notebook PC, Netbook PC, Tablet)
- d. Game
- e. Camera (except for Business/security use)
- f. Set Top Box
- g. Electronic dictionary
- h. Digital audio equipment

• This catalog is for reference only and not an official product specification document, therefore, please review and approve our official product specification before ordering this product.