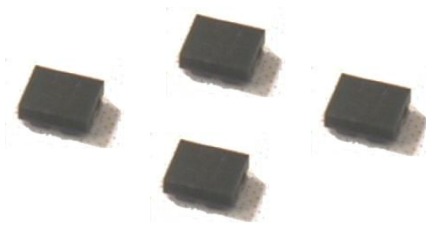




Data Sheet of SAW Components



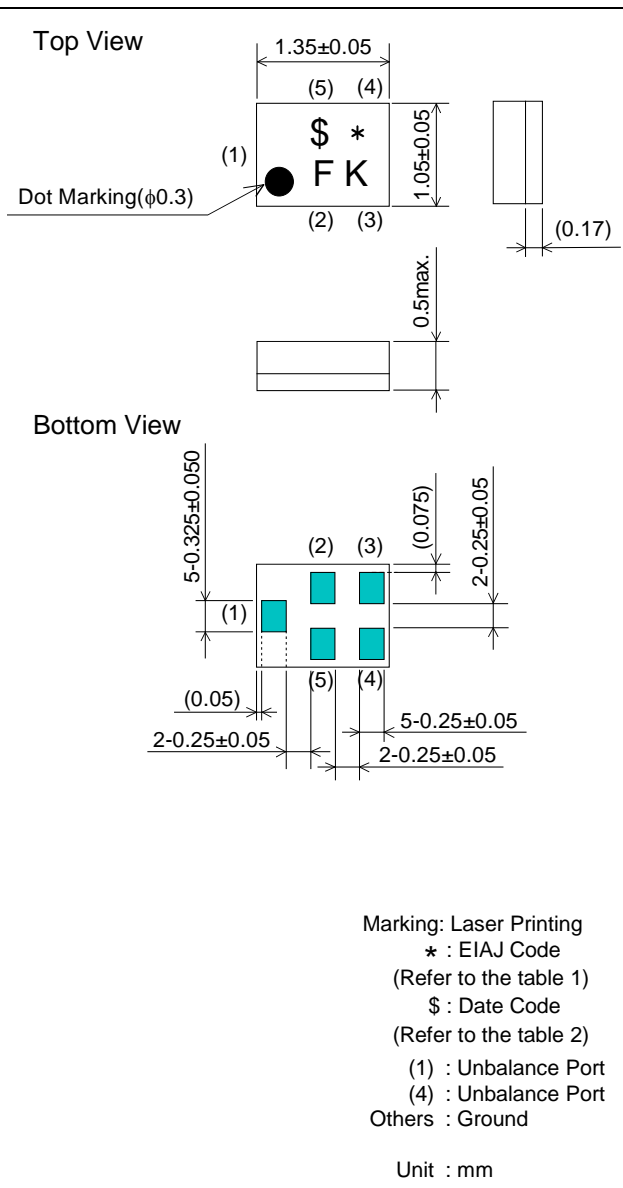
Note : Murata SAW Component is applicable for Cellular /Cordless phone (Terminal) relevant market only.

Please also read caution at the end of this document.

SAW FILTER FOR CDMA800/UMTS Band5(Tx)

Murata part number : SAFEA836MAA0F00

Package Dimensions



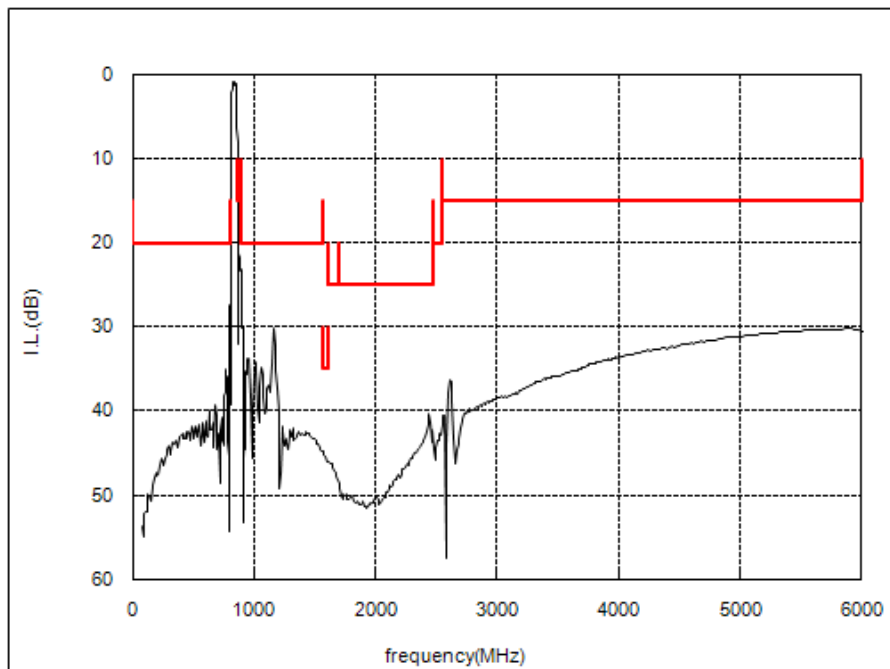
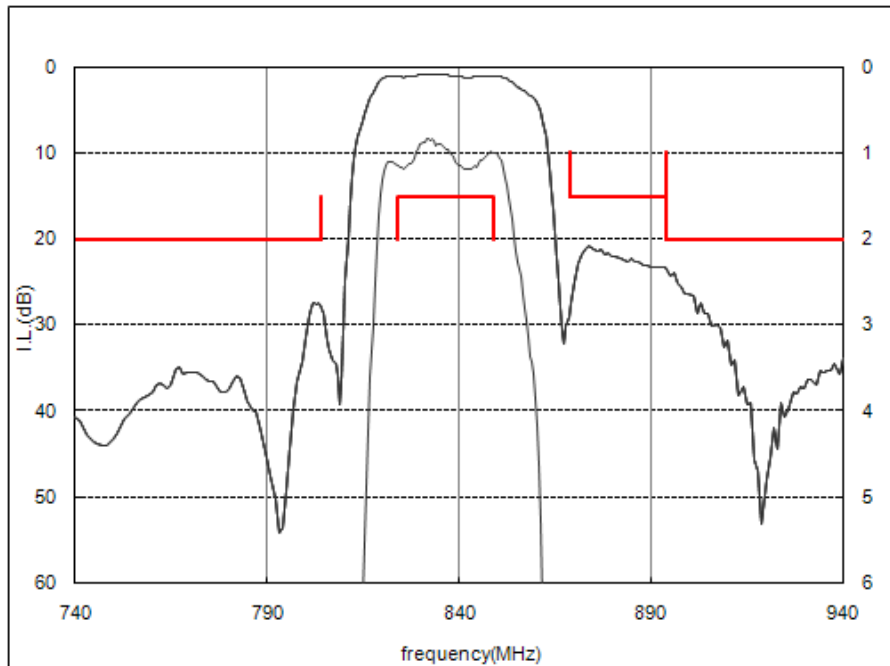
Specification

Item	Specification		
	-30 to 85°C	25±2°C	typ.
Nominal Center Frequency(fc)	836MHz		
Insertion Loss (824 to 849MHz)	1.5 dB max.	1.4 dB max.	1.2 dB
Absolute Attenuation			
1) 0.1 to 804 MHz	20 dB min.	20 dB min.	27 dB
2) 869 to 894 MHz	15 dB min.	15 dB min.	21 dB
3) 894 to 1570 MHz	20 dB min.	20 dB min.	23 dB
4) 1570 to 1610 MHz	35 dB min.	35 dB min.	44 dB
5) 1610 to 1698 MHz	25 dB min.	25 dB min.	45 dB
6) 1698 to 2472 MHz	25 dB min.	25 dB min.	40 dB
7) 2472 to 2547 MHz	20 dB min.	20 dB min.	41 dB
8) 2547 to 6000 MHz	15 dB min.	15 dB min.	30 dB
Ripple Deviation (824 to 849MHz)	1.0 dB max.	0.8 dB max.	0.4 dB
VSWR (824 to 849MHz)	2.1 max.	2.0 max.	1.8
Unbalance Port Matching Impedance (nominal)	50Ω		
Input Signal Level	31.6mW (+15dBm), 2000 hours		

SAW FILTER FOR CDMA800/UMTS Band5(Tx)

Murata part number : SAFEA836MAA0F00

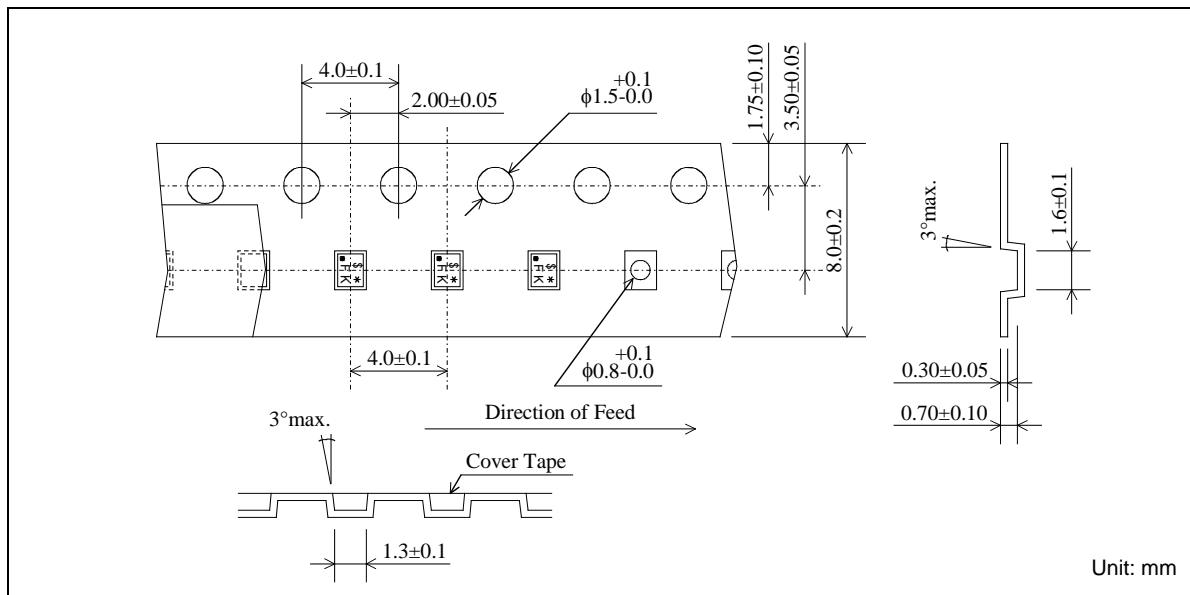
Frequency Performance



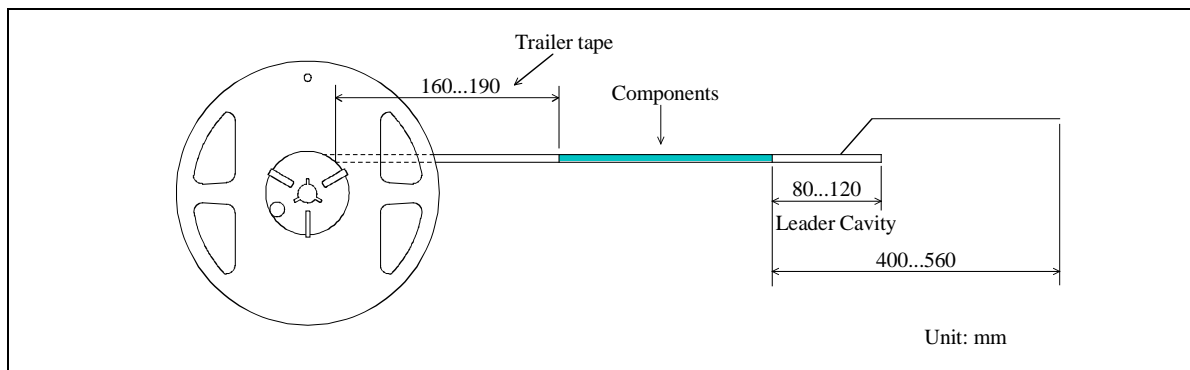
SAW FILTER FOR CDMA800/UMTS Band5(Tx)

Murata part number : SAFEA836MAA0F00

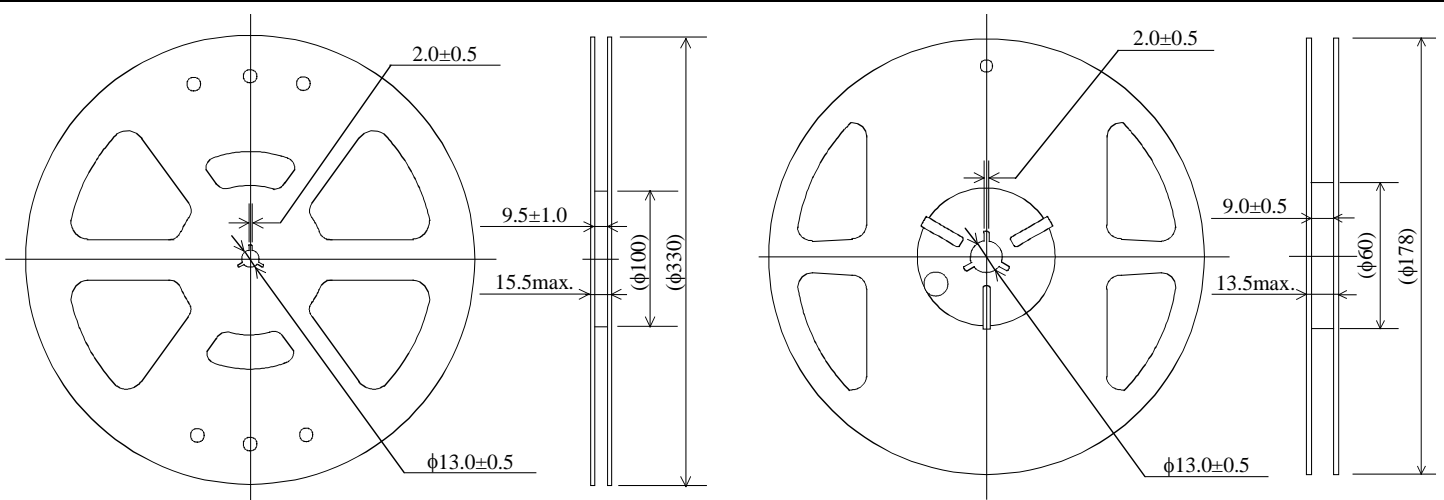
Dimensions of Carrier Tape



Dimensions of Tape



Dimensions of Reel



SAFEA836MAA0F00R00 ... 10000pcs/reel

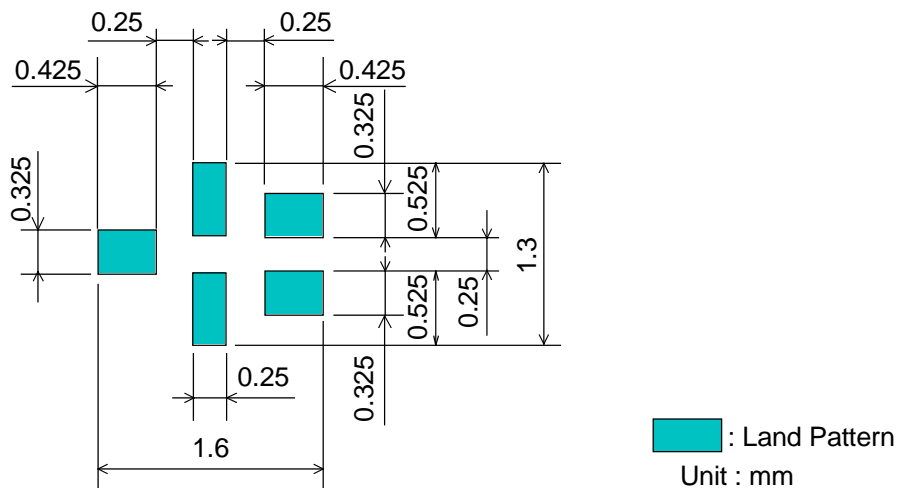
SAFEA836MAA0F00R15 ... 5000pcs/reel

SAW FILTER FOR CDMA800/UMTS Band5(Tx)

Murata part number : SAFEA836MAA0F00

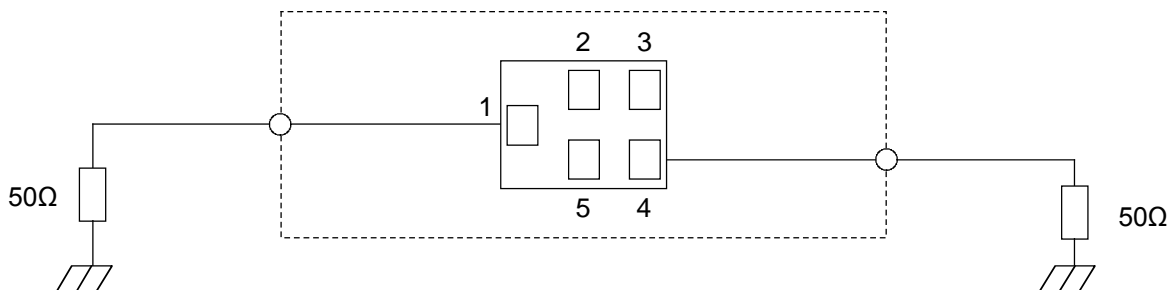
Recommended Land Pattern

Top View



Test Circuit

Bottom View



SAW FILTER FOR CDMA800/UMTS Band5(Tx)

Murata part number : SAFEA836MAA0F00

■ RoHS Compliance

This component is compliant with RoHS directive.

This component was always RoHS compliant from the first date of manufacture.

• Caution - Limitation of Applications

This product is intended for the following applications only; however, please do not use this product in these applications where defects might directly cause damage to a third party's life, body or property.

- a. Mobile Telephone
- b. Cordless phone (except for Automotive use)
- c. PC (Including Notebook PC, Netbook PC, Tablet)
- d. Game
- e. Camera (except for Business/security use)
- f. Set Top Box
- g. Electronic dictionary
- h. Digital audio equipment

• This catalog is for reference only and not an official product specification document, therefore, please review and approve our official product specification before ordering this product.

■ Marking code

Table 1 * : EIAJ Code

This rule of code is applied repeatedly every four year.

2009	Jan.	Feb.	Mar.	Apr.	May	Jun.	Jul.	Aug.	Sep.	Oct.	Nov.	Dec.
2013	A	B	C	D	E	F	G	H	J	K	L	M
2017												
2010	Jan.	Feb.	Mar.	Apr.	May	Jun.	Jul.	Aug.	Sep.	Oct.	Nov.	Dec.
2014	N	P	Q	R	S	T	U	V	W	X	Y	Z
2018												
2011	Jan.	Feb.	Mar.	Apr.	May	Jun.	Jul.	Aug.	Sep.	Oct.	Nov.	Dec.
2015	a	b	c̄	d	e	f	g	h	j	k	l	m
2019												
2012	Jan.	Feb.	Mar.	Apr.	May	Jun.	Jul.	Aug.	Sep.	Oct.	Nov.	Dec.
2016	n	p	q	r	s	t	u	v	w	x	y	z
2020												

Table 2 \$: Date Code

date	1st	2nd	3rd	4th	5th	6th	7th	8th	9th	10th	
code	A	B	C	D	E	F	G	H	J	K	
date	11th	12th	13th	14th	15th	16th	17th	18th	19th	20th	
code	L	M	N	P	Q	R	S	T	U	V	
date	21st	22nd	23rd	24th	25th	26th	27th	28th	29th	30th	31st
code	W	X	Y	Z	a	b	c̄	d	e	f	g