



Data Sheet of SAW Components



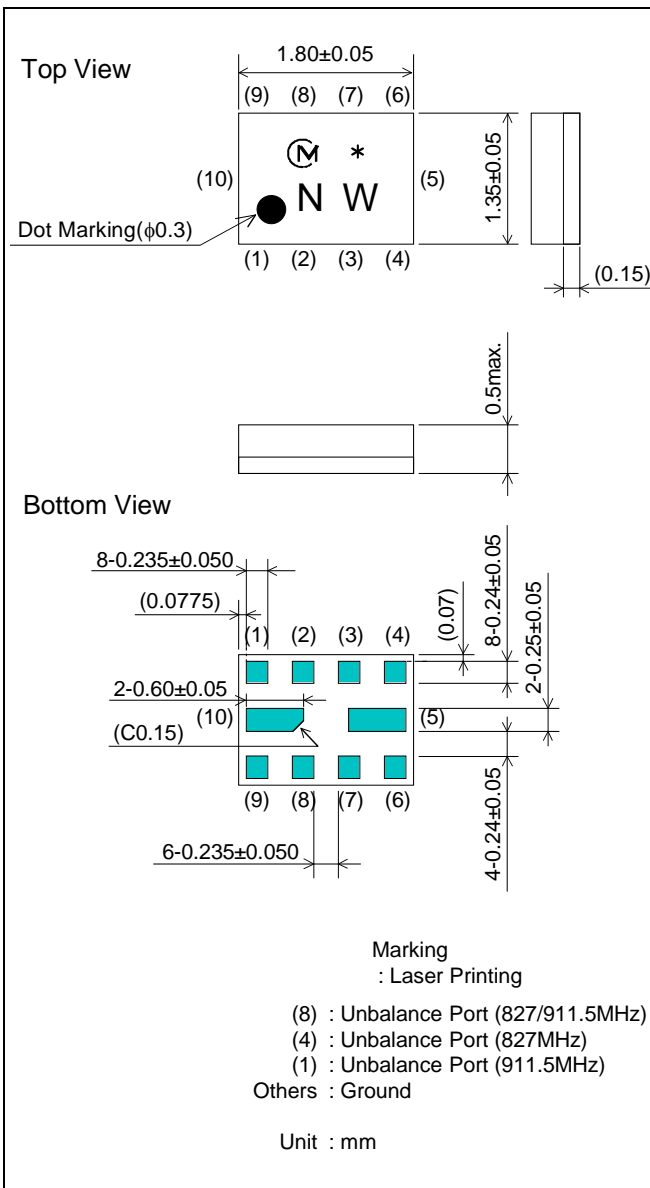
Note : Murata SAW Component is applicable for Cellular /Cordless phone (Terminal) relevant market only.

Please also read caution at the end of this document.

SAW FILTER FOR CDMA2000 BC0 SC2/BC3 Tx

Murata part number : SAWEN827MAA0F00($f_c=827\text{MHz}$)

Package Dimensions



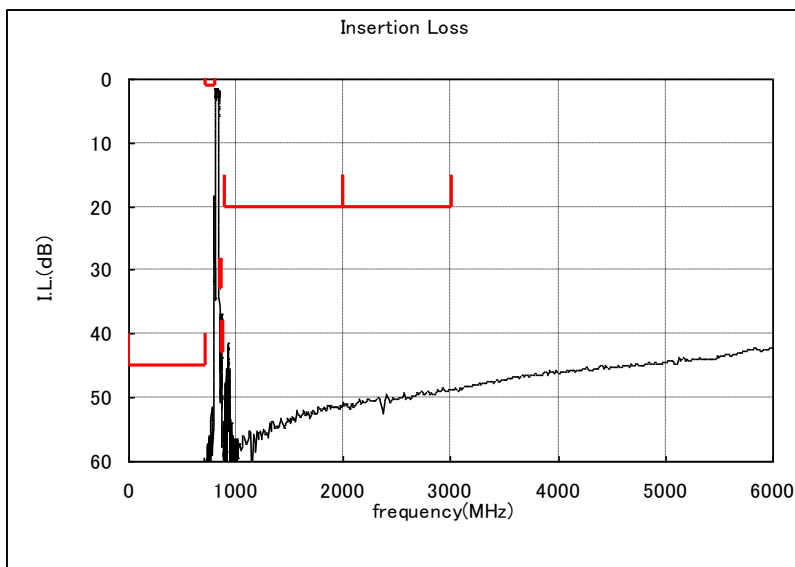
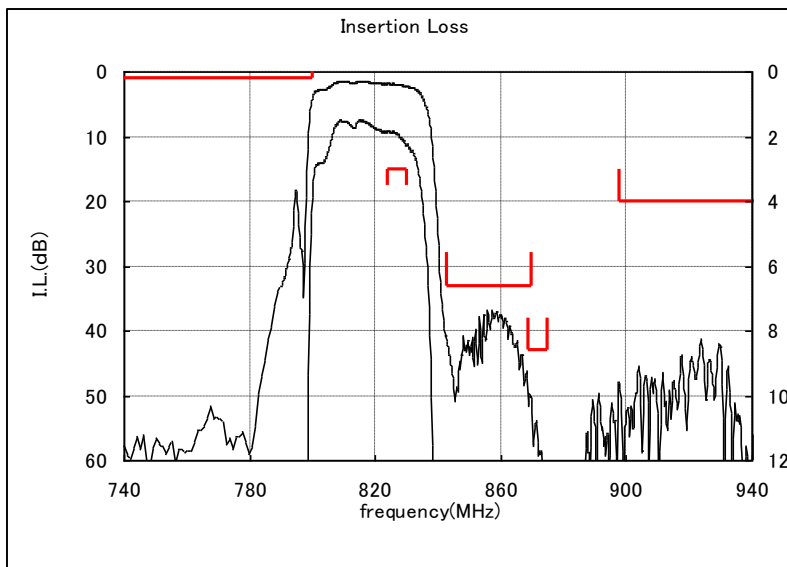
Specification

Item	Specification		
	-30 to 85°C	25±2°C	typ.
Nominal Center Frequency(f_c)	827MHz		
Insertion Loss (824 to 830MHz)	3.0dB max.	2.8dB max.	2.3 dB
Absolute Attenuation			
1) 0 to 720 MHz	45 dB min.	45 dB min.	60 dB
2) 720 to 800 MHz	1 dB min.	1 dB min.	4 dB
3) 843 to 870 MHz	33 dB min.	33 dB min.	37 dB
4) 869 to 875 MHz	43 dB min.	43 dB min.	50 dB
5) 898 to 2000 MHz	20 dB min.	20 dB min.	41 dB
6) 2000 to 3000 MHz	20 dB min.	20 dB min.	48 dB
Ripple Deviation (824 to 830MHz)	1.3dB max.	1.0dB max.	0.4 dB
VSWR (824 to 830MHz)	2.0 max.	1.9 max.	1.4
Unbalance Port Matching Impedance (nominal)	50Ω//10nH		
Unbalance Port Matching Impedance (nominal)	50Ω		
Input Signal Level	31.6mW (+15dBm), 2000 hours		

SAW FILTER FOR CDMA2000 BC0 SC2/BC3 Tx

Murata part number : SAWEN827MAA0F00 ($f_c=827\text{MHz}$)

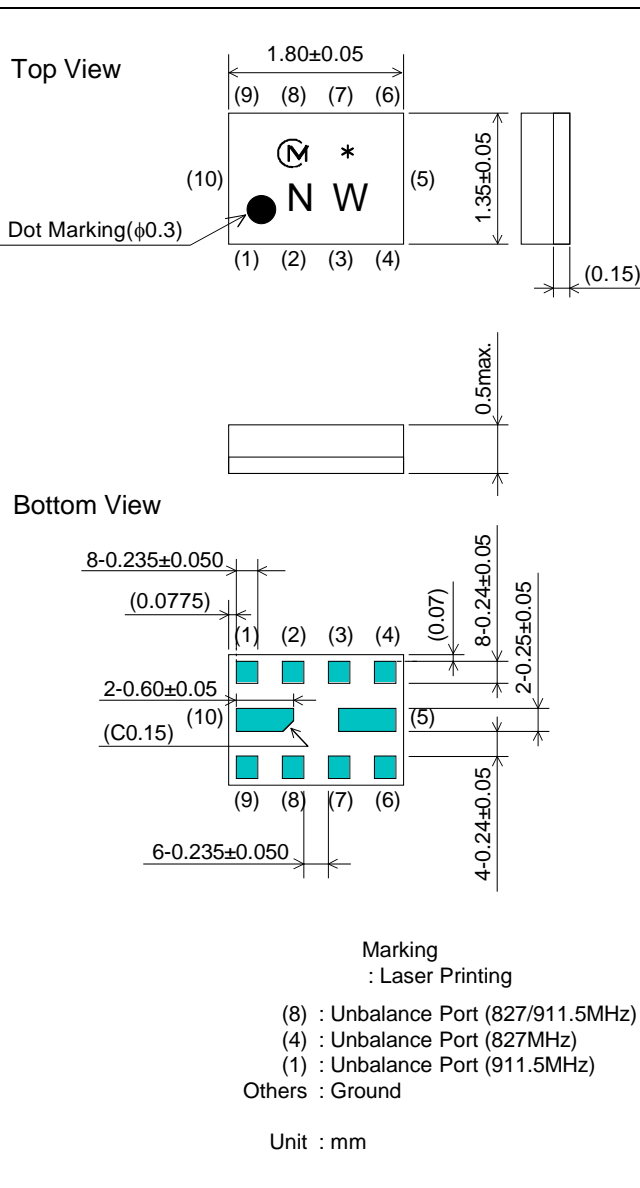
Frequency Performance



SAW FILTER FOR CDMA2000 BC0 SC2/BC3 Tx

Murata part number : SAWEN827MAA0F00 (fc=911.5MHz)

Package Dimensions



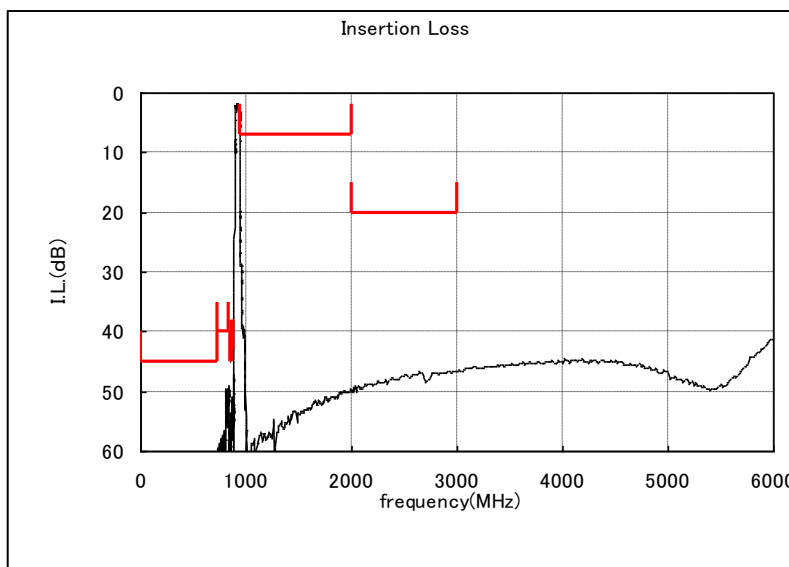
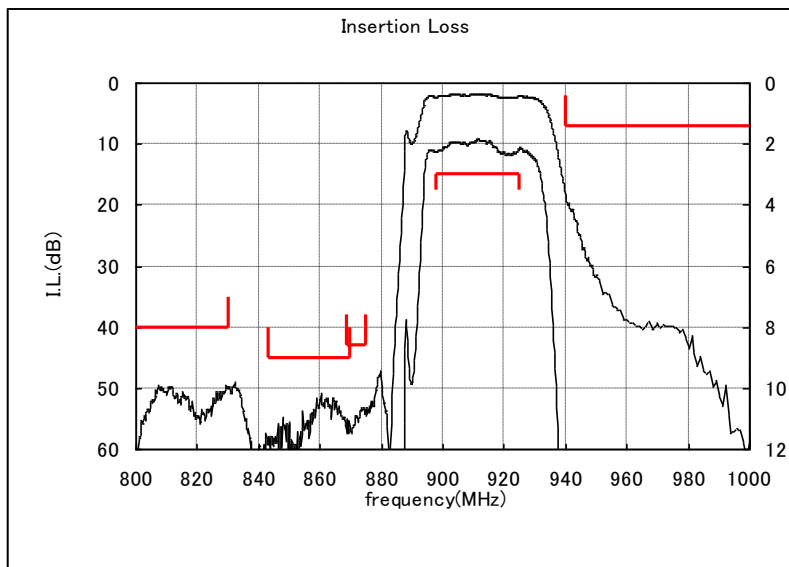
Specification

Item	Specification		
	-30 to 85°C	25±2°C	typ.
Nominal Center Frequency(fc)	911.5MHz		
Insertion Loss (898 to 925MHz)	3.0dB max.	2.8dB max.	2.4 dB
Absolute Attenuation			
1) 0 to 720 MHz	45 dB min.	45 dB min.	62 dB
2) 720 to 830 MHz	40 dB min.	40 dB min.	50 dB
3) 843 to 870 MHz	45 dB min.	45 dB min.	51 dB
4) 869 to 875 MHz	43 dB min.	43 dB min.	53 dB
5) 940 to 2000 MHz	7 dB min.	7 dB min.	18 dB
6) 2000 to 3000 MHz	20 dB min.	20 dB min.	47 dB
Ripple Deviation (898 to 925MHz)	1.5dB max.	1.2dB max.	0.5 dB
VSWR (898 to 925MHz)	2.1 max.	2.0 max.	1.8
Unbalance Port Matching Impedance (nominal)	50Ω//10nH		
Unbalance Port Matching Impedance (nominal)	50Ω		
Input Signal Level	31.6mW (+15dBm), 2000 hours		

SAW FILTER FOR CDMA2000 BC0 SC2/BC3 Tx

Murata part number : SAWEN827MAA0F00 (fc=911.5MHz)

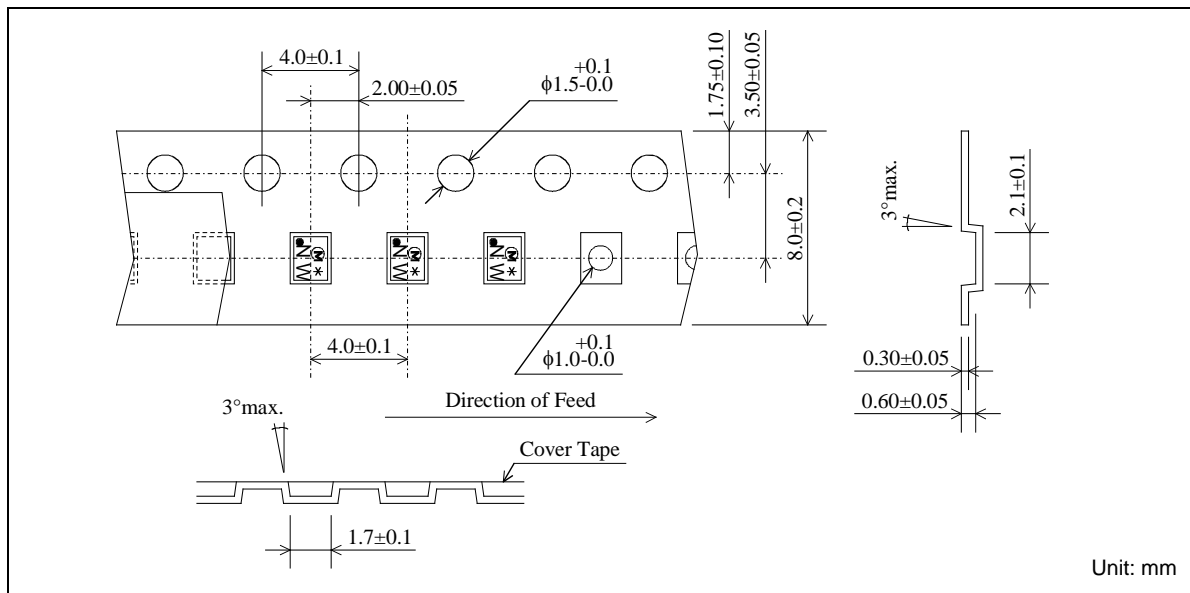
Frequency Performance



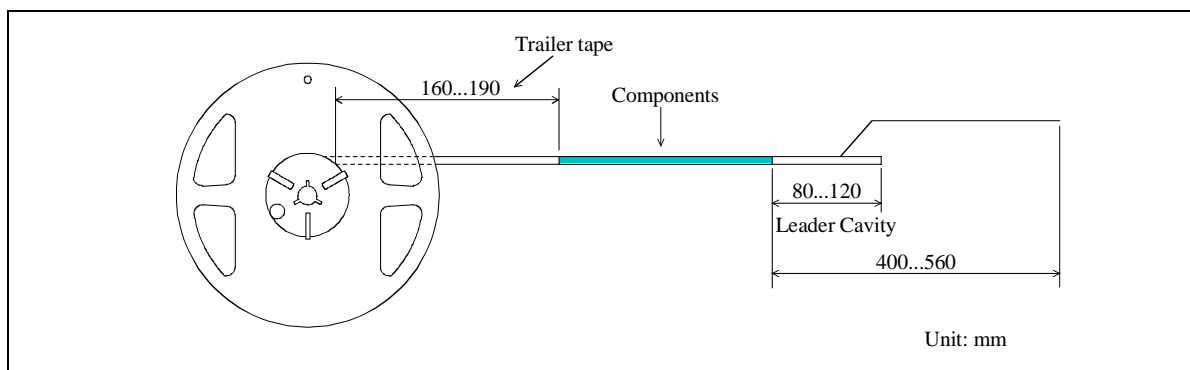
SAW FILTER FOR CDMA2000 BC0 SC2/BC3 Tx

Murata part number : SAWEN827MAA0F00

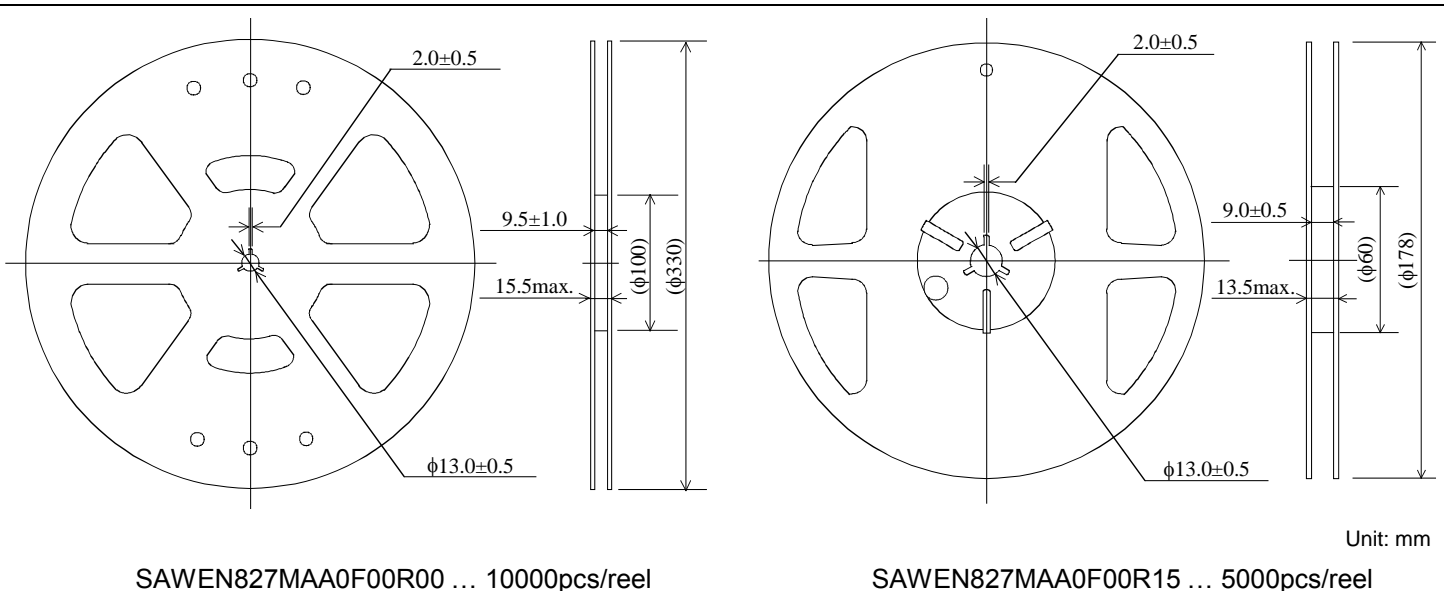
Dimensions of Carrier Tape



Dimensions of Tape



Dimensions of Reel

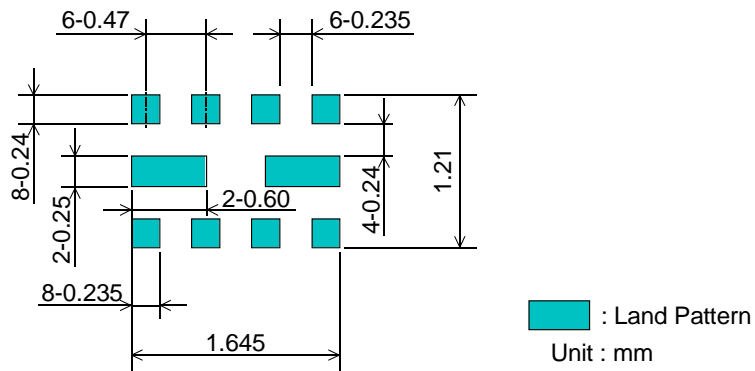


SAW FILTER FOR CDMA2000 BC0 SC2/BC3 Tx

Murata part number : SAWEN827MAA0F00

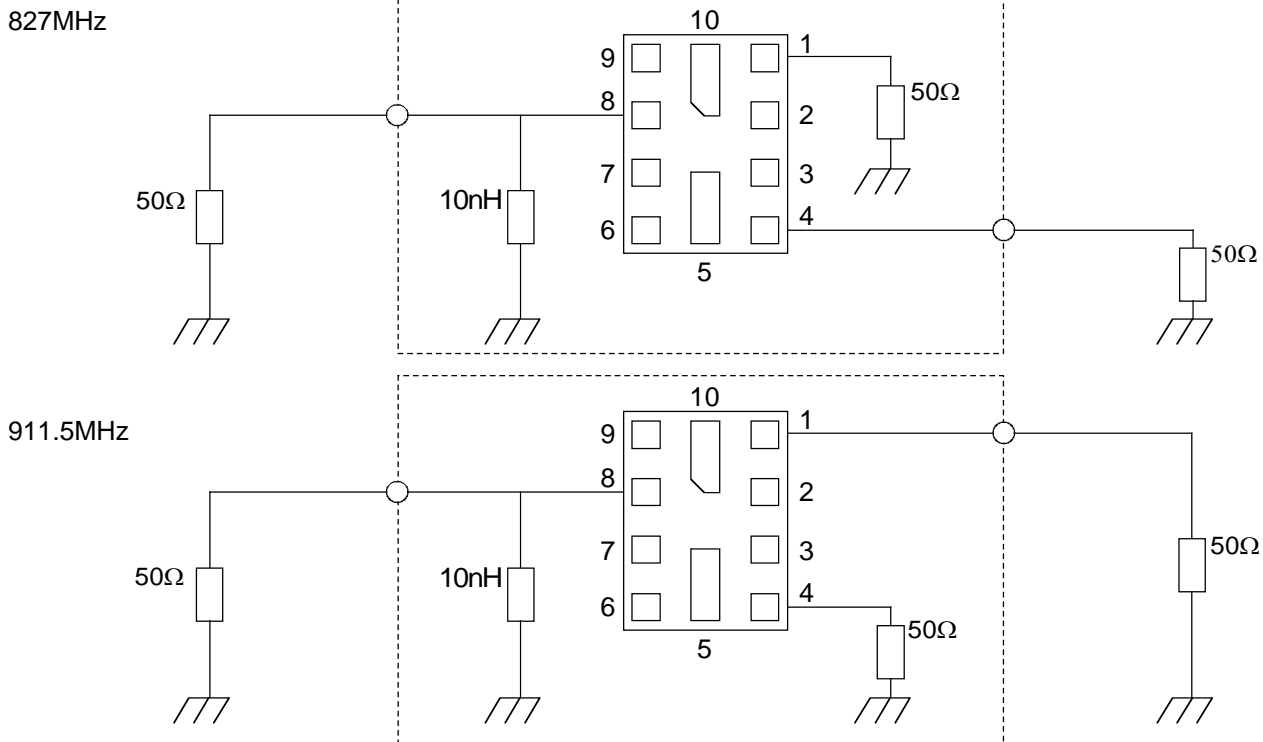
Recommended Land Pattern

Top View



Test Circuit

Bottom View



SAW FILTER FOR CDMA2000 BC0 SC2/BC3 Tx

Murata part number : SAWEN827MAA0F00

■ RoHS Compliance

This component is compliant with RoHS directive.

This component was always RoHS compliant from the first date of manufacture.

• Caution - Limitation of Applications

This product is intended for the following applications only; however, please do not use this product in these applications where defects might directly cause damage to a third party's life, body or property.

- a. Mobile Telephone
- b. Cordless phone (except for Automotive use)
- c. PC (Including Notebook PC, Netbook PC, Tablet)
- d. Game
- e. Camera (except for Business/security use)
- f. Set Top Box
- g. Electronic dictionary
- h. Digital audio equipment

• This catalog is for reference only and not an official product specification document, therefore, please review and approve our official product specification before ordering this product.