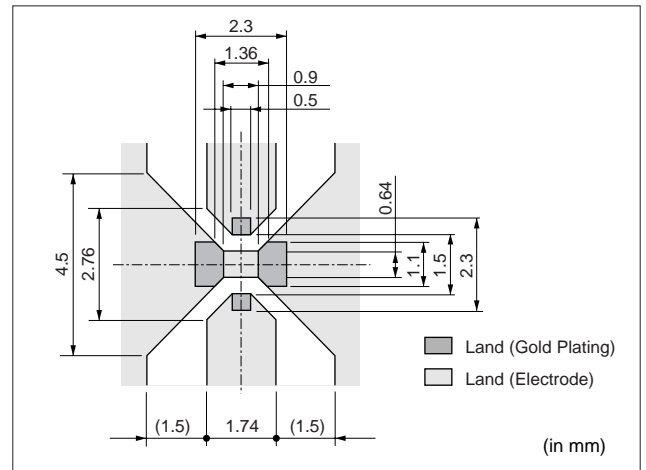


### 1. Standard Pattern Dimensions

- I/O pattern should be designed to match 50 ohm impedance circuit.
- Typical PCB material is glass epoxy ( $\epsilon_r=4.8$ ). Thickness is 1.0mm.
- The solder resist should be printed except for the land pattern on the PCB.



### 2. Standard Solder Stencil Mask Pattern

Follow standard solder stencil mask pattern to avoid the possibility of solder being trapped under connector.

