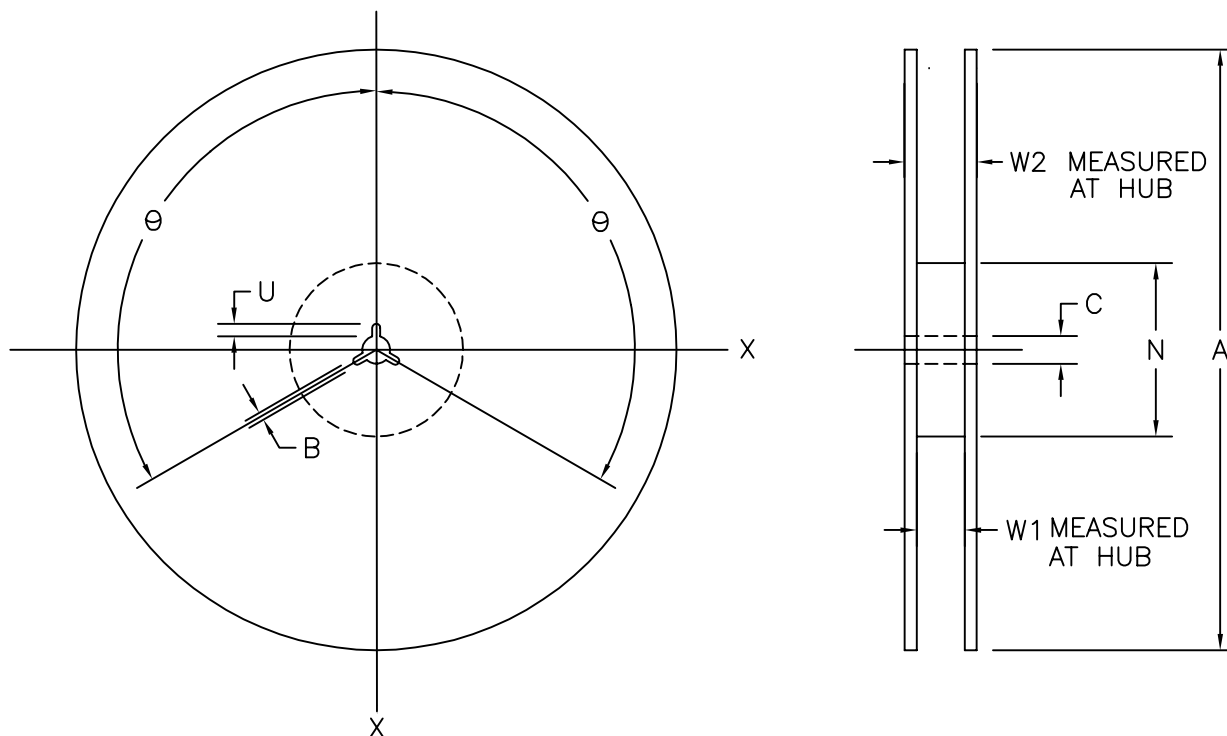


REVISIONS

LTR	DESCRIPTION	DATE
-	ORIGINAL ISSUE PER EWR NO. V0095	05/12/95
A	CHANGE PER ECO NO. E3612	3/23/04

U-PACKAGE REEL DIMENSIONS



U-PACKAGE REEL DIMENSIONS (ALL DIMENSIONS ARE IN MM)			
PACKAGE NUMBER	ITEMS		U1 SIZE
FLANGE	DIAMETER		A (MAX) 360
	OVER ALL THICKNESS OF HUB		W2 (MAX) 30.4
	SPACE BETWEEN FLANGES		W1 24.4 +2.0 -0.00
HUB	OUTER DIAMETER		N (MAX) 100
	SPINDLE HOLE DIAMETER		C 13 +0.50 -0.20
	KEY SLIT	WIDTH	B 2.0 ± 0.50
		DEPTH	U 3.98
		POSITION	θ 120 DEGREES
NUMBER OF PIECES IN REEL			1000
NUMBER OF ORIENTATIONS AVAILABLE			1

TRAILER AND LEADER SPECIFICATION (ALL DIMENSIONS IN MM)			
PACKAGE TYPE		U1	
		SPECIFICATIONS	REMARKS
LEADER	COVER TAPE	230	FRONT END WOUND AND FIXED WITH TAPE
	CARRIER TAPE	160	EMPTY CARRIER TAPE SEALED WITH COVER TAPE
TRAILER	CARRIER/COVER TAPE	160	EMPTY CARRIER TAPE SEALED WITH COVER TAPE

APPROVALS		DATE
DRAWN BY	J.MORALES	05/15/00
CHECKED BY		
PROCESS ENG		
DESIGN ENG		
QUALITY		
APPROVAL		



SIRENZA MICRODEVICES, INC.
BROOMFIELD, COLORADO

TITLE

U-PACKAGE VCO
REEL DIMENSIONS

PROPRIETARY STATEMENT

THIS DOCUMENT DISCLOSES INFORMATION AND DATA IN WHICH SIRENZA MICRODEVICES, INC. HAS PROPRIETARY RIGHTS. NEITHER RECEIPT NOR POSSESSION THEREOF CONFERS OR TRANSFERS ANY RIGHT TO REPRODUCE, USE, OR DISCLOSE IN WHOLE OR IN PART EXCEPT BY WRITTEN PERMISSION FROM SIRENZA MICRODEVICES, INC.

SIZE A	FSCM NO. 05375	DWG NO. 60076	REV. A
SCALE: NONE	DO NOT SCALE DWG	SHEET 1 OF 1	