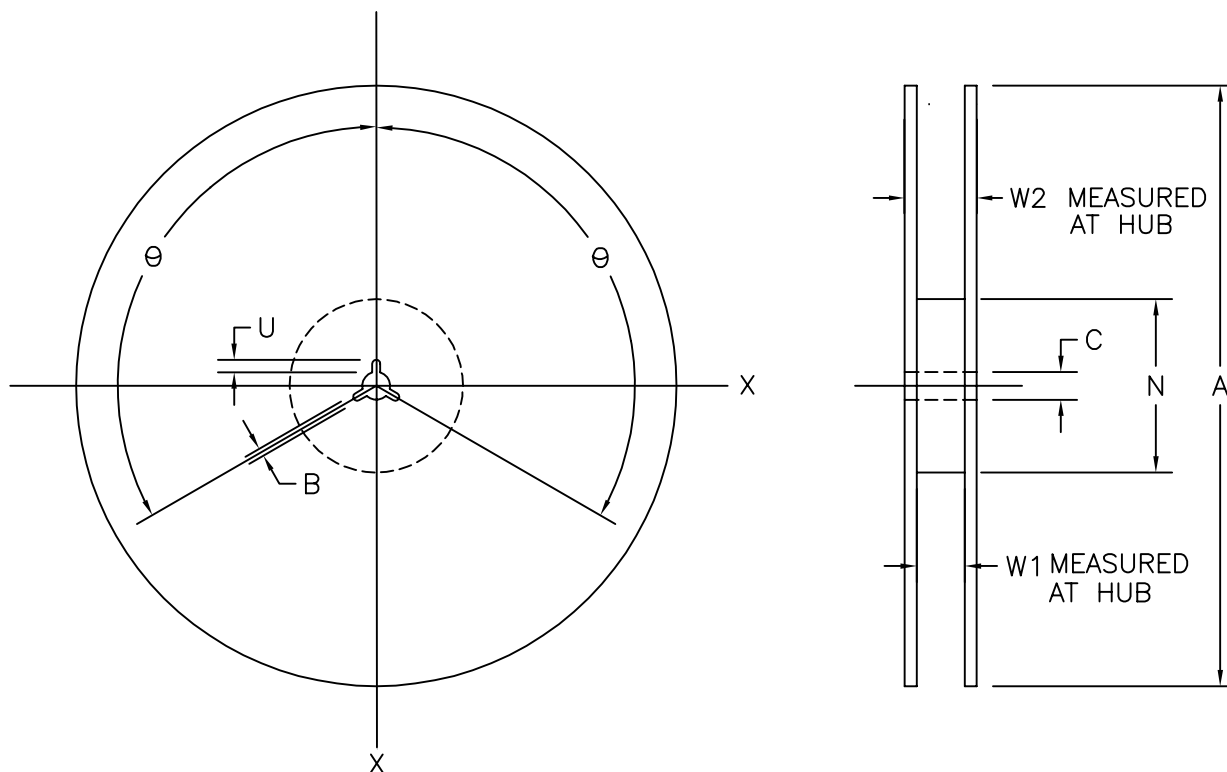


REVISIONS

LTR	DESCRIPTION	DATE
-	ORIGINAL ISSUE PER EWR NO. 4525	04/28/00
A	CHANGE PER ECO NO. E3612	03/23/04

K — PACKAGE REEL DIMENSIONS



K-PACKAGE REEL DIMENSIONS (ALL DIMENSIONS ARE IN MM UNLESS OTHERWISE SPECIFIED.)				
PACKAGE NUMBER	ITEMS	SYMBOL	K 2.0 MM. HT. SIZE	
FLANGE	DIAMETER	A (MAX)	360	
	OVER ALL THICKNESS OF HUB	W2 (MAX)	30.4	
	SPACE BETWEEN FLANGES	W1	16.4 +2.0 -0.00	
HUB	OUTER DIAMETER	N (MAX)	100	
	SPINDLE HOLE DIAMETER	C	13 +0.50 -0.20	
	KEY SLIT	WIDTH	B	2.0 ± 0.50
		DEPTH	U	3.98
	POSITION	theta	120 DEGREES	
NUMBER OF PIECES IN REEL			2500	
NUMBER OF ORIENTATIONS AVAILABLE			1	

TRAILER AND LEADER SPECIFICATION (ALL DIMENSIONS IN MM)			
PACKAGE TYPE	ITEMS	SPECIFICATIONS	REMARKS
LEADER	COVER TAPE	230	FRONT END WOUND AND FIX WITH TAPE
	CARRIER TAPE	160	EMPTY CARRIER TAPE SEALED WITH COVER TAPE
TRAILER	CARRIER/COVER TAPE	160	EMPTY CARRIER TAPE SEALED WITH COVER TAPE

APPROVALS		DATE
DRAWN BY	J.MORALES	04/28/00
CHECKED BY		
PROCESS ENG		
DESIGN ENG		
QUALITY		
APPROVAL		



SIRENZA MICRODEVICES, INC.
BROOMFIELD, COLORADO

TITLE

K-PACKAGE VCO
REEL DIMENSIONS

PROPRIETARY STATEMENT
THIS DOCUMENT DISCLOSES INFORMATION AND DATA IN WHICH SIRENZA MICRODEVICES, INC. HAS PROPRIETARY RIGHTS. NEITHER RECEIPT NOR POSSESSION THEREOF CONFERS OR TRANSFERS ANY RIGHT TO REPRODUCE, USE, OR DISCLOSE IN WHOLE OR IN PART EXCEPT BY WRITTEN PERMISSION FROM SIRENZA MICRODEVICES, INC.

SIZE A	FSCM NO. 05375	DWG NO. 61002	REV. A
SCALE: NONE	DO NOT SCALE DWG	SHEET 1 OF 1	