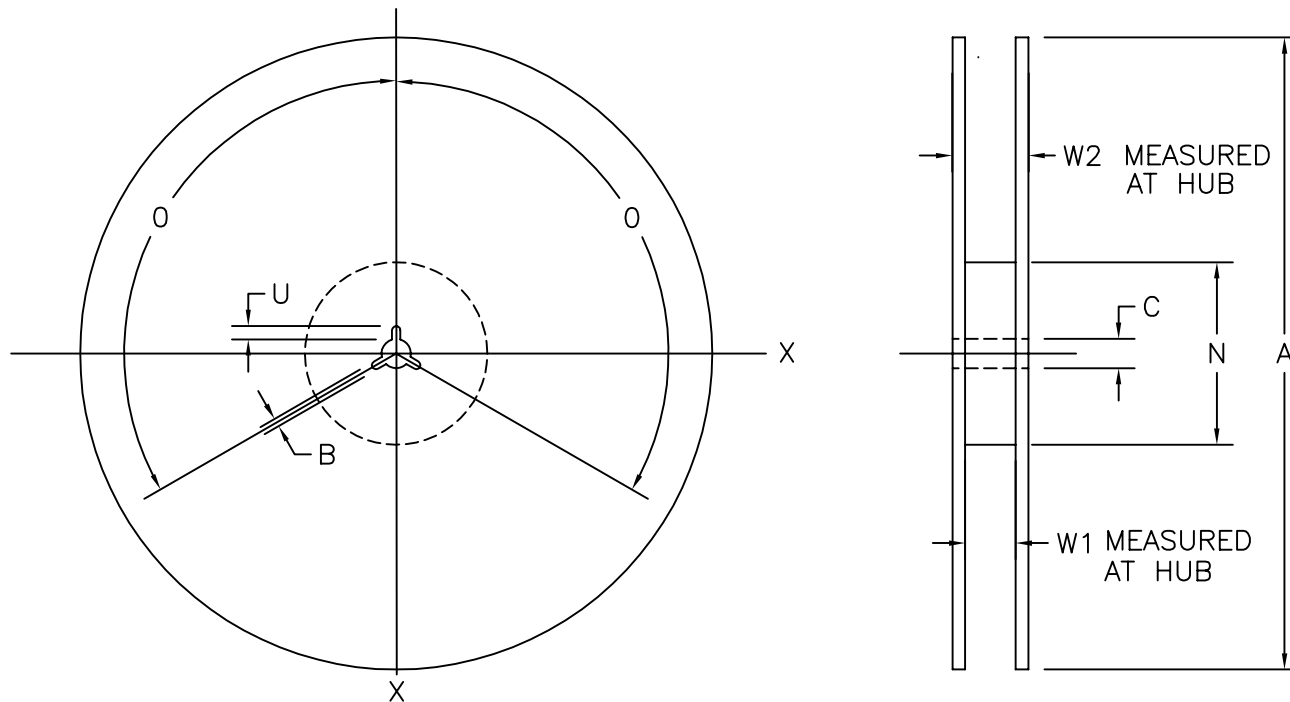


REVISIONS

LTR	DESCRIPTION	DATE
-	ORIGINAL ISSUE PER EWR NO. 22847	03/17/95
A	CHANGE PER ECO NO. E1019	06/10/98
B	CHANGE PER ECO NO. E2743	07/01/02
C	CHANGE PER ECO NO. E3612	03/23/04

T-PACKAGE REEL DIMENSIONS



T PACKAGE REEL DIMENSIONS (ALL DIMENSIONS ARE IN MM UNLESS OTHERWISE SPECIFIED.)						
PACKAGE NUMBER	ITEMS	SYMBOL	T-1 (.250" HT.)	T-2 (.180" HT.)	T-4 (.100" HT.)	
			SIZE	SIZE	SIZE	
FLANGE	DIAMETER	A	330 +0.25 -0.75	330 +0.25 -0.75	330 +0.25 -0.75	
	OVER ALL THICKNESS OF HUB	W2	28.4 +0.2 -0.00	28.4 +0.2 -0.00	28.4 +0.2 -0.00	
	SPACE BETWEEN FLANGES	W1	24.4 +0.2 -0.00	24.4 +0.2 -0.00	24.4 +0.2 -0.00	
HUB	OUTER DIAMETER	N	100 ±0.5	100 ±0.5	100 ±0.5	
	SPINDLE HOLE DIAMETER	C	13 ±0.20	13 ±0.20	13 ±0.20	
	KEY SLIT	WIDTH	B	1.9 ±0.5	1.9 ±0.5	1.9 ±0.5
		DEPTH	U	4.0 ±0.5	4.0 ±0.5	4.0 ±0.5
	POSITION	O	120 DEGREES	120 DEGREES	120 DEGREES	
NUMBER OF PEICES IN REEL			300	500	1000	
NUMBER OF ORIENTATIONS AVAILABLE			1	1	1	

TRAILER AND LEADER SPECIFICATION (ALL DIMENSIONS IN MM)			
PACKAGE TYPE	ITEMS	T1,T2,T4	
		SPECIFICATIONS	REMARKS
LEADER	COVER TAPE	230	FRONT END WOUND AND FIX WITH TAPE
	CARRIER TAPE	160	EMPTY CARRIER TAPE SEALED WITH COVER TAPE
TRAILER	COVER/COVER TAPE	160	EMPTY CARRIER TAPE SEALED WITH COVER TAPE

APPROVALS		DATE
DRAWN BY	A.R.AUSTAD	07/01/2002
CHECKED BY		
PROCESS ENG		
DESIGN ENG		
QUALITY		
APPROVAL		



SIRENZA MICRODEVICES, INC.
BROOMFIELD, COLORADO

TITLE

T-PACKAGE VCO
REEL DIMENSIONS

PROPRIETARY STATEMENT

THIS DOCUMENT DISCLOSES INFORMATION AND DATA IN WHICH SIRENZA MICRODEVICES, INC. HAS PROPRIETARY RIGHTS. NEITHER RECEIPT NOR POSSESSION THEREOF CONFERS OR TRANSFERS ANY RIGHT TO REPRODUCE, USE, OR DISCLOSE IN WHOLE OR IN PART EXCEPT BY WRITTEN PERMISSION FROM SIRENZA MICRODEVICES, INC.

SIZE A	FSCM NO. 05375	DWG NO. 60023	REV. C
SCALE: NONE	DO NOT SCALE DWG	SHEET 1 OF 1	