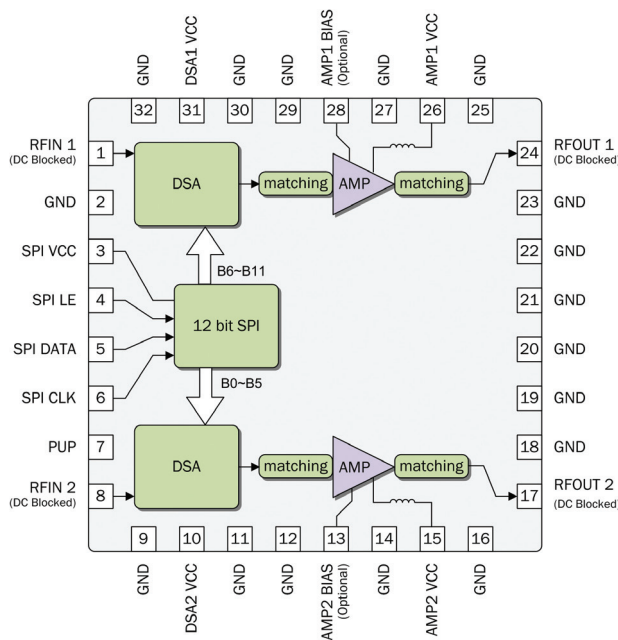




RFMD offers a family of dual-channel, digital-controlled variable gain amplifiers (VGA) featuring high linearity over the entire gain control range and a noise figure of less than 6.5dB in its maximum gain state. Two 6-bit digital step attenuators are programmed with a serial mode control interface (SPI). Easy to use with no external matching components required, these devices come packaged in a small 7 x 7mm leadless laminate multichip module (MCM). The MCM contains plated through thermal vias for ultra-low thermal resistance.

SPECIFICATIONS

Freq Range (MHz)	Number of Bits	Gain (dB)	Step Size (dB)	P1dB (dBm)	OIP3 (dBm)	Interface	Vcc (V)	Package (mm)	Part Number
400 to 2700	6	13.0	0.5	19.0	39.0	Serial	5.0	MCM 7 x 7	RFDA0047
400 to 2700	6	18.5	0.5	19.0	37.0	Serial	5.0	MCM 7 x 7	RFDA0057
1700 to 2400	6	12.0	0.5	24.5	41.0	Serial	5.0	MCM 7 x 7	RFDA2077



FEATURES

- Dual-channel VGA
- Frequency range 400 to 2700MHz
- Full internal matching and no external bias inductors
- Two 6-bit digital step attenuators
- 12-bit SPI serial control programming
- High channel isolation = 50dBc
- Max gain = 12.2dB at 1800MHz
- Gain control range = 31.5dB (0.5dB step size)
- High OIP3/P1dB = +41/24.5dBm at 1800MHz
- Single +5V supply
- Small 32-pin, 7 x 7mm, MCM
- Power-up programming
- Applications include: cellular, 3G infrastructure; WiBro, WiMAX, LTE; microwave radio; high linearity power control

Order RFMD® products online at www.rfmd.com/rfmdExpress.

For sales or technical support, contact your authorized local sales representative (see www.rfmd.com/globalsales).

Register to receive RFMD's latest product releases with our Email Component Alerts at www.rfmd.com/emallalert.

7628 Thorndike Rd., Greensboro, NC 27409-9421 USA • Phone 336.664.1233

