

RFMD®

LNA Products for GPS and Cellular Applications



RFMD® offers a broad portfolio of LNA products ideally suited for cellular and GPS applications that demand high performance in a space constrained environment.

Products include the RF281x family of GPS LNA modules and the RF2884 broadband general purpose LNA.

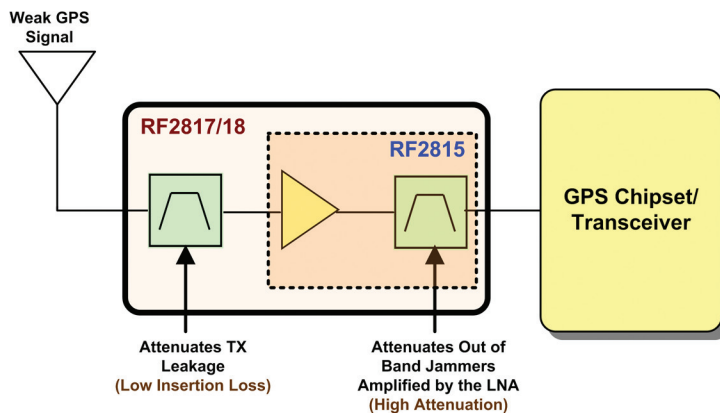
The RF2815, RF2817 and RF2818 family of LNA modules are specifically designed for GPS applications. These parts provide excellent RF performance, which enables very high sensitivity GPS receivers while minimizing solution size. Product options include the integration of high performance pre- and post-LNA filters for maximum system design flexibility.

SPECIFICATIONS

	Part Number	Description	Freq (MHz)	Gain (dB)	NF (dB)	IP1dB (dB)	IIP3 (dBm)	Cell Band Rejection (dBc)	PCS Band Rejection (dBc)	V _{DD} (V)	RF Ports DC Blocked	Pkg Size (mm)	Sample Availability
GPS LNA Modules	RF2815	GPS L-S Module	1.575 GHz	13.5	0.85	-1.5	9	54	42	1 - 3.6	Yes	3.3 x 2.1 x 1.0	Yes
	RF2817	GPS S-L-S Module	1.575 GHz	13.5	1.95	-4.0	6.5	89	88	1 - 3.6	Yes	4.5 x 2.2 x 1.0	Yes
	RF2818	GPS S-L-S Module	1.575 GHz	14.0	1.55	-6.0	6.0	101	74	1 - 3.6	Yes	3.0 x 2.5 x 1.0	Yes
General Purpose	RF2884	Broadband LNA	0.05 - 3 GHz	> 15	< 1.5	> -10	> 1	NA	NA	2.65 - 3.0	No	3.0 x 3.0 x 0.9	Yes

L = LNA, S = SAW

Typical Application: GPS enabled through dedicated antenna



FEATURES

GPS LNA Modules

- Low noise figure, high gain, and excellent linearity
- Excellent cell and PCS band rejection
- Operable over wide supply voltage: 1.0 V to 3.6 V
- CMOS compatible shutdown function

General Purpose Receive LNAs

- Broadband operation: 50 MHz to 2500 MHz
- Low noise figure, high gain, and excellent linearity
- HBM rating > 2 KV on all pins

Order RFMD products online at www.rfmd.com/rfmdExpress.

For sales or technical support, contact your authorized local sales representative (see www.rfmd.com/globalsales).

Register to receive RFMD's latest product releases with our Email Component Alerts at www.rfmd.com/emailalert.

7628 Thorndike Rd., Greensboro, NC 27409-9421 USA • Phone 336.664.1233



These products comply with RFMD's green packaging standards.

RFMD® is a trademark of RFMD, LLC. All other trade names, trademarks and registered trademarks are the property of their respective owners. ©2010 RFMD.

CPG.LNA.RF281x.0710.20



rfmd.com