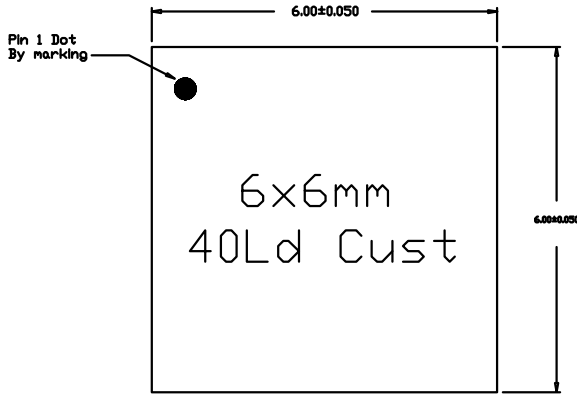


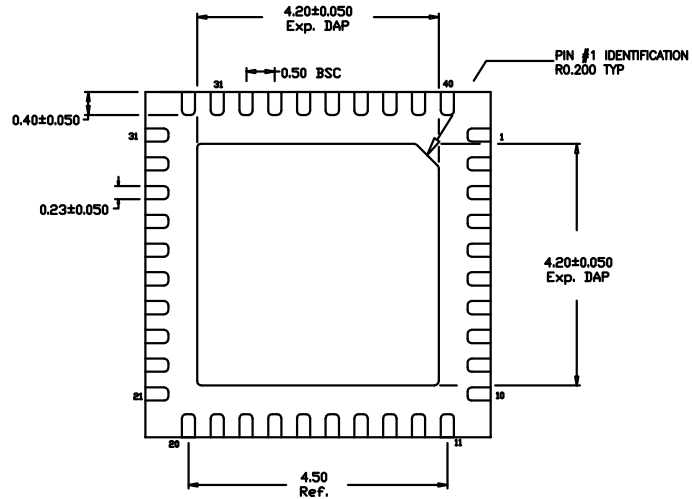
PROPRIETARY DATA

This document may not be reproduced, disclosed, or otherwise used, in whole or in part, without the written permission of SIRENZA MICRODEVICES

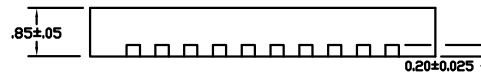
REVISION HISTORY				
REV	DESCRIPTION	ECO	APPR	DATE
A	New Rel	4536	Barcome	1/3/05
B	Del Table A/Convert to std dwg format	6497	Barcome	4/12/06



TOP VIEW



BOTTOM VIEW

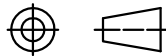


SIDE VIEW

NOTES:

1. LF MATERIAL - OLIN 194
2. LF METAL THICKNESS - .20 mm
3. MOLD COMPOUND - 94V0 GREEN COMPLIANT
4. LEAD FINISH Sn/Pb - BASIC PN
100% MATTE Sn 'Z' OPTION

THIRD ANGLE PROJECTION



UNLESS OTHERWISE SPECIFIED, DIMENSIONS ARE IN mm PER ANSI Y14.5M-1982. TOLERANCES ARE:

DECIMAL ANGLE
.XX ±.05 ±1/2°
.XXX±.005

MATERIAL(S):
See Notes

FINISH:
See Notes

DO NOT SCALE DRAWING

SIGNATURE DATE

DRN

ECO

APP

DWG PATH/FILENAME:



DWG TITLE:

6x6 mm 40 Ld Outline Dwg

SIZE

DWG NO.

MPO-104179

REV

B

SHEET 1 OF 1