

# RFMD®

## LNA Products for Cellular Applications



RFMD® offers a broad portfolio of LNA products ideally suited for cellular applications which demand high performance in a space-constrained environment.

Products include the RF281x family of GPS LNA modules and the RF2884 broadband general purpose LNA.

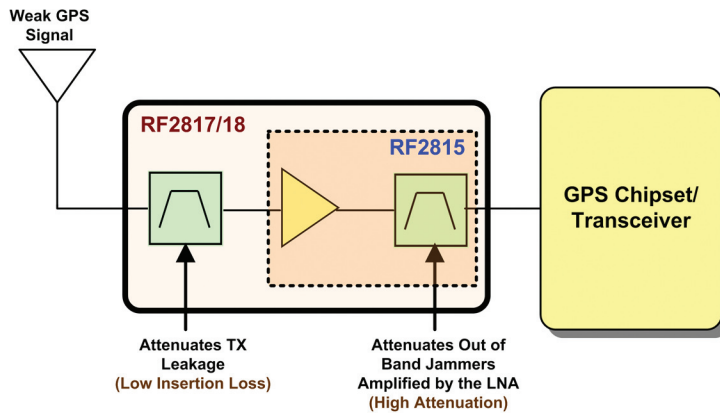
The RF281x family of GPS LNA modules is based on RFMD's EpHEMT process and integrates SAW filters. These modules have been designed in very compact packages to deliver best-in-class performance, which in turn enable GPS solutions that feature reduced front end noise and improved sensitivity.

### SPECIFICATIONS

	Part Number	Description	Freq (MHz)	Gain (dB)	NF (dB)	IP1dB (dB)	IIP3 (dBm)	Cell Band Rejection (dBc)	PCS Band Rejection (dBc)	V <sub>DD</sub> (V)	RF Ports DC Blocked	Pkg Size (mm)	Sample Availability
GPS LNA Modules	RF2815	GPS L-S Module	1.575 GHz	13.5	0.85	-1.5	9	54	42	1 - 3.6	Yes	3.3 x 2.1 x 1.0	Yes
	RF2817	GPS S-L-S Module	1.575 GHz	13.5	1.95	-4.0	6.5	89	88	1 - 3.6	Yes	4.5 x 2.2 x 1.0	Yes
	RF2818	GPS S-L-S Module	1.575 GHz	14.0	1.55	-6.0	7.0	98	73	1 - 3.6	Yes	3.0 x 2.5 x 1.0	Yes
General Purpose	RF2884	Broadband LNA	0.05 - 3 GHz	> 15	< 1.5	> -10	> 1	NA	NA	2.65 - 3.0	No	3.0 x 3.0 x 0.9	Yes

L = LNA, S = SAW

### Typical Application: GPS enabled through dedicated antenna



### FEATURES

#### GPS LNA Modules

- Low noise figure, high gain, and excellent linearity
- Excellent cell and PCS band rejection
- Operable over wide supply voltage: 1.0 V to 3.6 V
- CMOS compatible shutdown function

#### General Purpose Receive LNAs

- Broadband operation: 50 MHz to 2500 MHz
- Low noise figure, high gain, and excellent linearity
- HBM rating > 2 KV on all pins

Order RFMD products online at [www.rfmd.com/rfmdExpress](http://www.rfmd.com/rfmdExpress).

For sales or technical support, contact your authorized local sales representative (see [www.rfmd.com/globalsales](http://www.rfmd.com/globalsales)).

Register to receive RFMD's latest product releases with our Email Component Alerts at [www.rfmd.com/emailalert](http://www.rfmd.com/emailalert).

7628 Thorndike Rd., Greensboro, NC 27409-9421 USA • Phone 336.664.1233



These products comply with RFMD's green packaging standards.

RFMD® is a trademark of RFMD, LLC. All other trade names, trademarks and registered trademarks are the property of their respective owners. ©2010 RFMD.

BR.RF281x.0210.20



[rfmd.com](http://rfmd.com)