

RFMD®

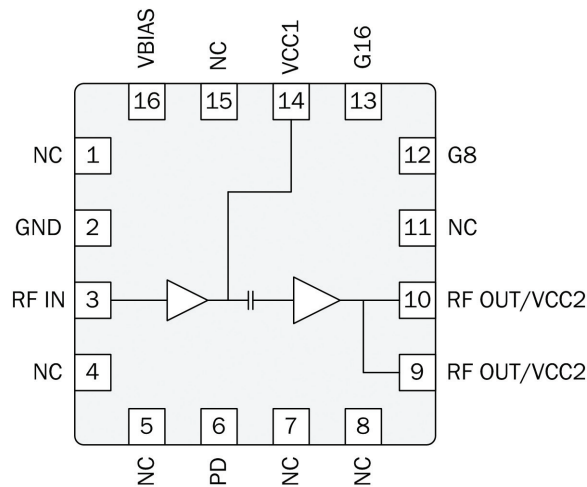
RFPA0133

380 to 960MHz High-Efficiency Power Amplifier



The RFPA0133 is a GaAs HBT two-stage power amplifier that achieves saturated efficiency numbers of >60% over a wide range of supply voltages from 2.7 to 5.0V. Ideally suited to compressed and saturated applications requiring high power with the lowest possible current consumption, the device exhibits very high reverse isolation with an S12 of approximately -50dB, yielding good directivity and stability. With simple external matching, the RFPA0133 can achieve good performance over a range of frequencies from 400 to 960MHz. It is offered in a 3.0 x 3.0mm plastic QFN package.

Freq Range (MHz)	Efficiency	Current (mA)	P _{OUT} (dBm)	V _{CC} (V)	Part Number
900	>60%	170	24.5	2.7	RFPA0133
900	>60%	250	27.5	3.6	RFPA0133
900	>60%	320	30.0	5.0	RFPA0133



FEATURES

- >60% saturated efficiency for ±5% bandwidth
- Output power up to +30dBm
- 33dB small-signal gain
- Reverse isolation of -50dB typical
- 4-level, digital power control

Order RFMD® products online at www.rfmd.com/rfmdExpress.
 For sales or technical support, contact your authorized local sales representative (see www.rfmd.com/globalsales).
 Register to receive RFMD's latest product releases with our Email Component Alerts at www.rfmd.com/emailalert.
 7628 Thorndike Rd., Greensboro, NC 27409-9421 USA • Phone 336.664.1233

These products comply with RFMD's green packaging standards.

RFMD® is a trademark of RFMD, LLC. All other trade names, trademarks and registered trademarks are the property of their respective owners. ©2011 RFMD.

MPG.RFPA0133.0611.175



Mobility. Connectivity. Energy.