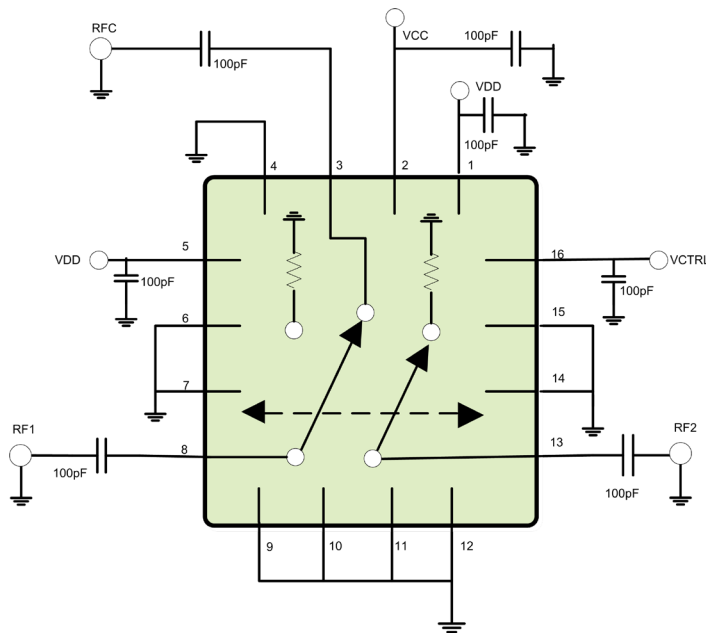




The RF3025 is an absorptive single-pole double-throw (SPDT) switch designed for general purpose applications that require low insertion loss and high power handling capability. Ideally suited for battery operated applications requiring very low DC power consumption, the RF3025 also features low control voltage and moderate isolation. The RF3025 is fabricated with 0.5µm GaAs pHEMT process and is packaged in a very compact 3 x 3mm, 16-pin, leadless QFN package.

SPECIFICATIONS

Freq Range (MHz)	PO.1dB (dBm)	Insertion Loss (dB)	Isolation (dB)	Control Interface	Package Size (mm)	Part Number
10 to 6000	30	0.45 to 1.1	> 39	GPIO	QFN 3 x 3	RF3025



FEATURES

- 10MHz to 6GHz operation
- 0.5dB insertion loss at 1GHz
- 1.1dB insertion loss at 6GHz
- 58dB isolation at 1GHz
- 39dB isolation at 6GHz
- 2.5V minimum supply voltage
- 50dBm IP3 at 3V

Order RFMD[®] products online at www.rfmd.com/rfmdExpress.
 For sales or technical support, contact your authorized local sales representative (see www.rfmd.com/globalsales).
 Register to receive RFMD's latest product releases with our Email Component Alerts at www.rfmd.com/emailalert.
 7628 Thorndike Rd., Greensboro, NC 27409-9421 USA • Phone 336.664.1233



These products comply with RFMD's green packaging standards.

RFMD[®] is a trademark of RFMD, LLC. All other trade names, trademarks and registered trademarks are the property of their respective owners. ©2011 RFMD.

MPG.RF3025.0611.175