

# RFMD.

## High-Performance Symmetric Switches for Communications Systems



RFMD offers a wide selection of broadband high-performance symmetric switches suitable for applications in the cellular, 3G, LTE, and other high-performance communications systems. Covering single-pole double-throw (SPDT), double-pole double-throw (DPDT), and single-pole triple-throw (SP3T), these products are ideal for use in high-performance and space-constrained applications. Each switch is 3V and 5V positive logic compatible.

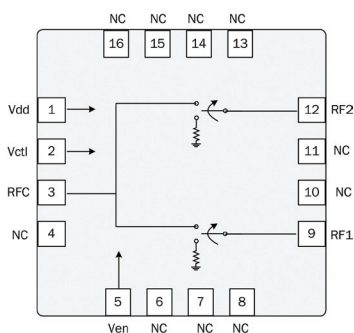
### SPECIFICATIONS

Switch Type	Freq Range (MHz)	Insertion Loss (dB)	Isolation (dB)	Input P1dB (dBm)	Control Voltage (V)	Package (mm)	Part Number
SPDT	LF to 6000	0.75	65.0	35.5	5	4 x 4 QFN	RFSW6124
SP3T	LF to 6000	0.5	27.0	33.0	5	1.5 x 1.5 DFN	RFSW6131
DPDT	LF to 6000	0.65	33.0	35.5	5	3 x 3 QFN	RFSW6223

### FEATURES

#### RFSW6124

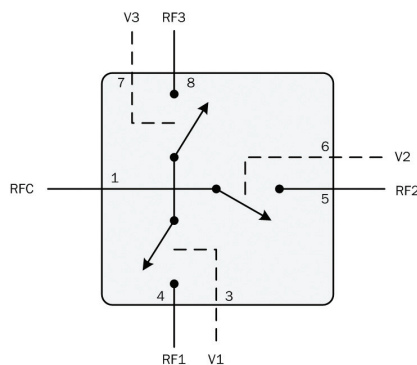
- LF to 6000MHz operation
- Symmetric SPDT
- Insertion Loss: 0.75dB (2GHz)
- Isolation: 65dB (2GHz)
- IIP3: 47dBm
- P1dB: 35.5 at 5V



### FEATURES

#### RFSW6131

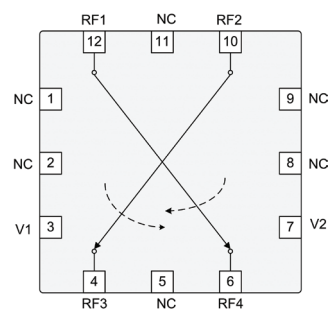
- LF to 6000MHz operation
- Symmetric SP3T
- Insertion loss: 0.5dB (2GHz)
- Isolation: 27dB (2GHz)
- IIP3: 56dBm
- P1dB: 33dBm at 5V



### FEATURES

#### RFSW6223

- LF to 6000MHz operation
- Symmetric DPDT
- Insertion loss: 0.65dB (2GHz)
- Isolation: 35dB (2GHz)
- IIP3: 56dBm
- P1dB: 35.5dBm at 5V



RFMD® is a trademark of RFMD, LLC. ©2012 RFMD.



Mobility. Connectivity. Energy.