

RFMD®

Broadband Symmetric Switch Portfolio



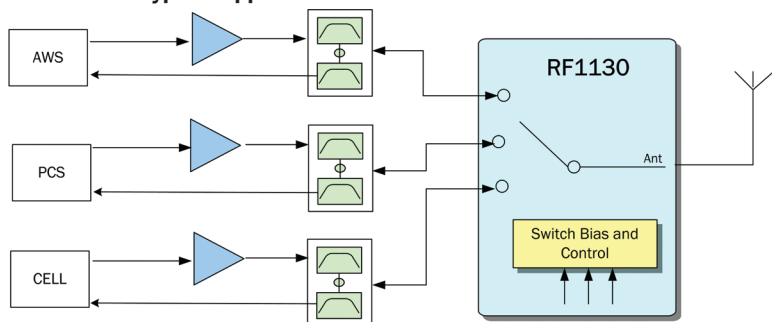
RFMD® offers a wide selection of broadband high-performance symmetric switch products suitable for applications in the cellular and non-cellular space. Covering single pole double throw (SPDT) up to single pole five throw (SP5T) architectures and available in a wide selection of package styles, these products are ideal for use in high-performance and space-constrained applications. Typical applications include cellular band switching, antenna tuning, and other areas requiring high-performance signal routing.

SPECIFICATIONS

	Part Number	Control Lines	Freq Range (MHz)	PO.1 dB/ Power Handling (dBm)	Control Voltage (V)	Insertion Loss (dB)	Isolation (dB)	Switching Speed (µS)	IIP2 (dBm)	IIP3 (dBm)	Package (dim. in mm)	Mass Production
SPDT	RF1200	2	DC to 2500	37	0 / +2.6	0.3	26	0.55	118	—	2.0 x 2.0 x 0.85	NOW
	RF1201	2	DC to 2500	41	0 / +2.6	0.3	26	0.55	118	—	2.0 x 2.0 x 0.85	NOW
	RF1602*	1	DC to 3500	37	0 / +1.8	0.26	40	2.00	125	74	2.0 x 2.0 x 0.55	NOW
	RF1126	2	DC to 6000	23	0 / +3.0	0.26	27	0.25	96	62	2.0 x 1.3 x 0.38	NOW
	RF1127	1	DC to 3500	23	0 / +1.8	0.45	29	0.30	100	65	2.0 x 1.3 x 0.38	NOW
SP3T	RF1128	2	DC to 3500	32	0 / +2.85	0.35	27	0.35	111	67	2.0 x 1.3 x 0.38	NOW
	RF1130	2	DC to 2500	38	0 / +1.8	0.3	29	1.00	114	70	3.0 x 3.0 x 0.55	NOW
	RF1131	3	DC to 2500	37	0 / +2.6	0.3	32	0.80	—	62	2.0 x 2.0 x 0.55	NOW
	RF1132	3	DC to 2500	37	0 / +2.6	0.48	30	0.80	—	67	2.0 x 2.0 x 0.55	NOW
	RF1136	2	DC to 3500	29	0 / +1.8	0.25	28	0.55	110	63	2.5 x 2.5 x 0.55	NOW
SP4T	RF1603A*	2	DC to 3500	38	0 / +1.8	0.4	35	2.00	120	73	2.5 x 2.5 x 0.55	NOW
	RF1450	2	DC to 2500	38	0 / +1.8	0.4	29	1.00	128	—	3.0 x 3.0 x 0.9	NOW
	RF1140	2	DC to 2500	38	0 / +1.8	0.3	28	1.00	110	70	3.0 x 3.0 x 0.55	NOW
	RF1146	2	DC to 2500	29	0 / +1.8	0.3	29	0.55	106	63	3.0 x 3.0 x 0.45	NOW
	RF1147	2	DC to 3500	29	0 / +1.8	0.3	29	0.55	106	63	3.0 x 3.0 x 0.45	NOW
Differential SPDT (DP4T)	RF1226	2	DC to 2500	26	0 / +2.6	0.22	27	0.35	106	68	2.0 x 2.0 x 0.55	NOW
	RF1622*	1	DC to 2700	37	0 / +1.8	0.25	35	2.00	115	73	2.0 x 2.0 x 0.55	Samples Mar
Differential SP3T (DP6T)	RF1236	3	DC to 3500	26	0 / +3.0	0.30	27	0.40	106	68	2.0 x 2.0 x 0.55	NOW
	RF1633*	2	DC to 2700	32	0 / +1.8	0.35	26	2.00	115	73	2.0 x 2.0 x 0.55	Samples Jun
SP5T	RF1156	3	DC to 2500	28	0 / +1.8	0.35	29	0.55	108	60	3.0 x 3.0 x 0.85	NOW

*ESD Enhanced parts >2kV HBM

Typical Application: Tri-band CDMA Band Switch



FEATURES

- Excellent insertion loss
- High isolation
- Low voltage operation
- Very low current consumption
- Broadband operation across multiple frequency bands and applications

Order RFMD products online at www.rfmd.com/rfmdExpress.

For sales or technical support, contact your authorized local sales representative (see www.rfmd.com/globalsales).

Register to receive RFMD's latest product releases with our Email Component Alerts at www.rfmd.com/emailalert.

7628 Thorndike Rd., Greensboro, NC 27409-9421 USA • Phone 336.664.1233



These products comply with RFMD's green packaging standards.

RFMD® is a trademark of RFMD, LLC. All other trade names, trademarks and registered trademarks are the property of their respective owners. ©2011 RFMD.

CPG.Broadband Sym Switches.0311.20



rfmd.com