



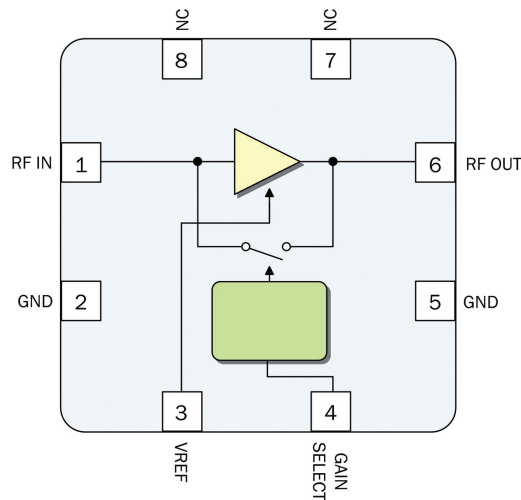
Wi-Fi and WiMAX Low Noise Amplifier Portfolio



RFMD delivers low noise amplifiers (LNAs) for a range of digital cellular, Wi-Fi and WiMAX applications. Providing high dynamic range, superior performance, and low current consumption, our portfolio of LNAs enable compact designs through various module-compatible, standard plastic packages.

LOW NOISE AMPLIFIERS

Part Number	Description	Freq (MHz)	Gain (dB)	NF (dB)	P1dB (dBm)	OIP3 (dBm)	Vd (V)	Id (mA)	Package Style
RF2374	Broadband LNA w/bypass mode	900 - 4000	14	1.3	-5.0	7	3.3	10	QFN-8, 2.2 x 2.2 mm
RF2370	Broadband LNA w/bypass mode	900 - 4000	14	1.3	-5.0	7	3.3	10	SOT-6 lead
RF2373	Broadband LNA	400 - 3000	15	1.3	-3.5	9.3	3.3	10	SOT-5 lead
SGA-8343	Broadband LNA	DC - 4000	14	1.2	-5.0	27	3.3	10	SOT-343
RF2472	Broadband LNA	DC - 6000	14	1.5	-8.0	22	2.7 - 4.8	6	SOT-5 lead
RF5501	2.4 - 2.7 GHz LNA/SW (SP3T)	2.4 - 2.7	12	1.8	-4.0	8	2.7 - 4.8	10	QFN, 2.0 x 2.0 mm
RF5515	5 GHz LNA	5100 - 5900	11	1.6	-2.0	22	2.3 - 4.8	12	QFN-8, 2.2 x 2.2 x 0.45 mm



FEATURES

- High dynamic range
- Low current consumption
- Available in SOT-5 and -6 lead plastic packages
- Internally matched at 50-ohms (RF5515)
- Bias current may be set externally (RF2370, RF2373, RF2374)
- Low profile packages
- Combination LNA/SW (RF5501)

For sales or technical support, contact RFMD at 336.678.5570 or sales-support@rfmd.com
7628 Thorndike Rd., Greensboro, NC 27409-9421 USA • Phone 336.664.1233 • Fax 336.931.7454



This product complies with RFMD's green packaging standards.

RFMD® is a trademark of RFMD, LLC. All other trade names, trademarks and registered trademarks are the property of their respective owners. ©2009 RFMD. SL.LNA.0109.400



rfmd.com