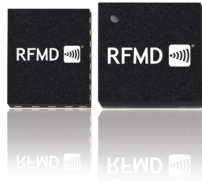


# RFMD®

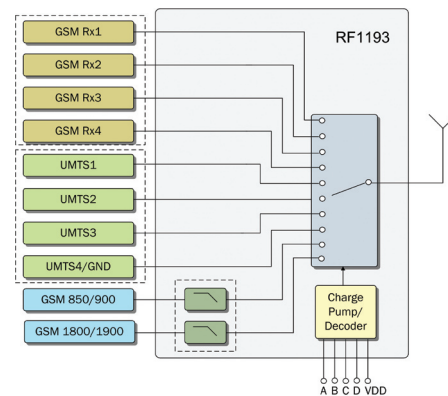
## Switch Filter Module Products



RFMD's switch products provide low insertion loss along with excellent linearity performance and are ideal for multimode (GSM, EDGE, and UMTS) handset and mobile device applications. These modules build upon RFMD's proven switch technology, and integrate low pass filtering on the GSM transmit paths, eliminating the need for external harmonic attenuation.

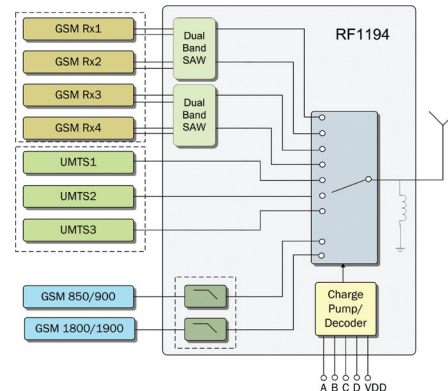
### RF1193 Antenna Switch Module

- SP10T functionality with 4 WCDMA paths
- Exceptional linearity performance
- Small solution size with no external DC blocking capacitors
- Platform capable: SP8T and SP9T operation with no loss of performance
- GPIO interface and compatible with +1.8 V logic
- Compact 3.0 x 3.8 x 0.85 mm, 26-pin QFN package
- Integrated low pass filtering provides excellent GSM Tx harmonic attenuation



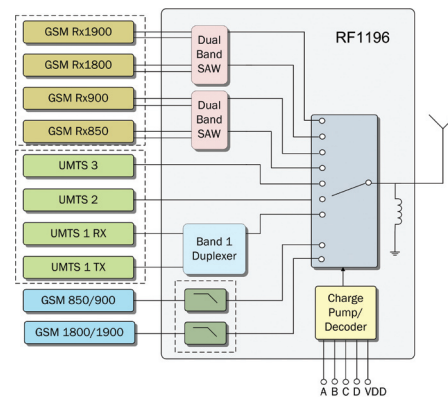
### RF1194 Switch Filter Module

- SP9T functionality with 3 WCDMA paths
- Integrated GSM receive SAW filters for ease of implementation
- Integrated 8 kV ESD protection on antenna port
- GPIO interface and compatible with 1.8 V logic (VCTL-high min = 1.3 V)
- Compact 4.5 x 4.5 x 1.2 mm, 28-pin module
- Integrated low pass filtering provides excellent GSM Tx harmonic attenuation



### RF1196 Switch Duplexer Module

- Integrated Band 1 WCDMA duplexer
- Integrated GSM Rx SAW filters for ease of implementation
- Integrated 8 kV ESD protection on antenna port
- Low insertion loss
- Integrated low pass filtering provides excellent GSM Tx harmonic attenuation
- Exceptional linearity performance
- Small solution size with no external DC-blocking capacitors
- Compact footprint: 4.5 x 4.5 x 1.2 mm, 28-pin module



Order RFMD products online at [www.rfmd.com/rfmdExpress](http://www.rfmd.com/rfmdExpress).

For sales or technical support, contact your authorized local sales representative (see [www.rfmd.com/globalsales](http://www.rfmd.com/globalsales)).

Register to receive RFMD's latest product releases with our Email Component Alerts at [www.rfmd.com/emailalert](http://www.rfmd.com/emailalert).

7628 Thorndike Rd., Greensboro, NC 27409-9421 USA • Phone 336.664.1233



These products comply with RFMD's green packaging standards.

RFMD® is a trademark of RFMD, LLC. All other trade names, trademarks and registered trademarks are the property of their respective owners. ©2010 RFMD.



rfmd.com