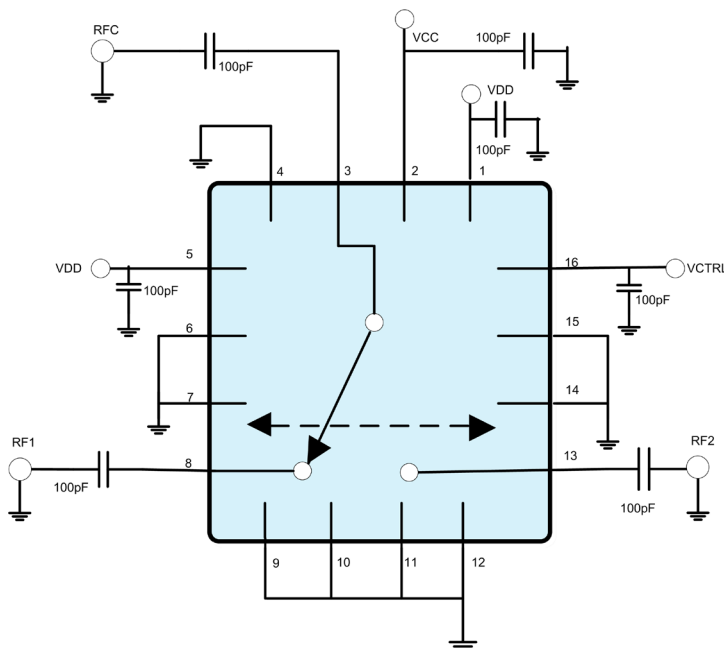




The RF3021 is a reflective single-pole double-throw (SPDT) switch designed for general purpose switching applications which require low insertion loss and high power handling capability. Ideally suited for battery operated applications requiring low insertion loss and switching with very low DC power consumption, the switch also features low control voltage and moderate isolation. The RF3021 is fabricated with 0.5µm GaAs pHEMT process and comes packaged in a very compact 3 x 3mm, 16-pin, leadless QFN package.

#### SPECIFICATIONS

Freq Range (MHz)	PO.1dB (dBm)	Insertion Loss (dB)	Isolation (dB)	Control Interface	Package Size (dim. in mm)	Part Number
10 to 6000	30	0.5 to 0.9	>40	GPIO	QFN 3.0 x 3.0	RF3021



#### FEATURES

- 10MHz to 6GHz operation
- 0.5dB insertion loss at 1GHz
- 0.9dB insertion loss at 6GHz
- 58dB isolation at 1GHz
- 40dB isolation at 6GHz
- 2.5V minimum supply voltage
- 50dBm IP3 at 3V

Order RFMD® products online at [www.rfmd.com/rfmdExpress](http://www.rfmd.com/rfmdExpress).  
 For sales or technical support, contact your authorized local sales representative (see [www.rfmd.com/globalsales](http://www.rfmd.com/globalsales)).  
 Register to receive RFMD's latest product releases with our Email Component Alerts at [www.rfmd.com/emailalert](http://www.rfmd.com/emailalert).  
 7628 Thorndike Rd., Greensboro, NC 27409-9421 USA • Phone 336.664.1233



These products comply with RFMD's green packaging standards.

RFMD® is a trademark of RFMD, LLC. All other trade names, trademarks and registered trademarks are the property of their respective owners. ©2011 RFMD.

MPG.RF3021.0611.175