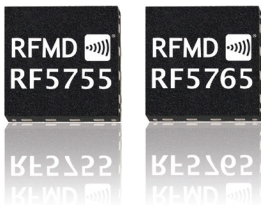


# RFMD®

## RF5755 and RF5765

### 2.4GHz 802.11b/g/n WiFi Front End Modules

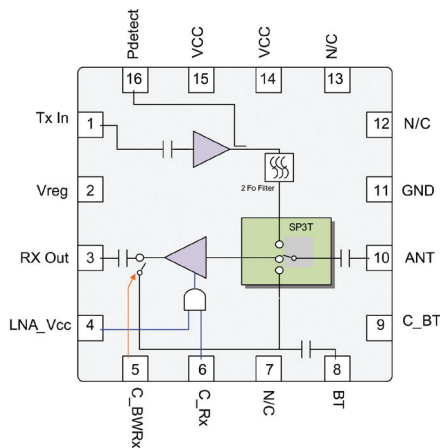
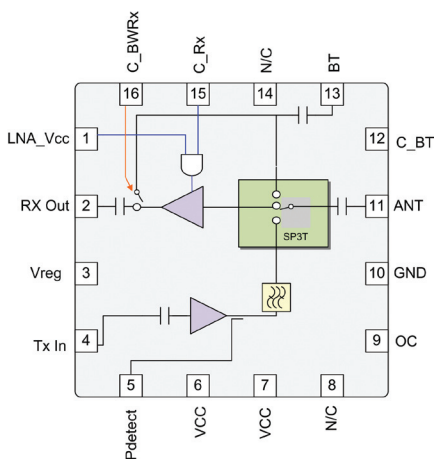


The RF5755 and RF5765 each provide a complete integrated solution in a single Front End Module (FEM) for WiFi 802.11b/g/n and *Bluetooth*® systems. Ultra-small form factor and integrated matching greatly reduce the number of external components and layout area in the customer application. This simplifies the total Front End solution by reducing bill of materials, system footprint, and manufacturability costs. Both parts integrates a 2.4GHz Power Amplifier (PA), Low Noise Amplifier (LNA), power detector coupler for improved accuracy, and filtering for harmonic rejection. Each is capable of receiving WiFi and *Bluetooth*® simultaneously and are packaged in a 3 x3x0.5mm, 16-pin QFN.

#### SPECIFICATIONS

Functionality	11g/n P <sub>OUT</sub> (dBm)	11b P <sub>OUT</sub> (dBm)	11b/g/n Gain (dB)	11g/n EVM (%)	LNA Gain (dB)	LNA NF with Switch (dB)	V <sub>CC</sub> (V)	11g/n Operating Current (mA)	11b Operating Current (mA)	Package	Part Number
PA, SP3T, LNA, and 2 Fo rejection	19.5	22	30	3.3	13	1.9	3.3	170	220	QFN	RF5755
PA, LNA, SP3T switch, and PDC	20.0	23	30	3.3	—	3.0	3.0	170	220	QFN-16	RF5765

Order RFMD products online at [www.rfmd.com](http://www.rfmd.com)



#### FEATURES

- Integrated 2.5GHz b/g/n Amplifier, LNA, SP3T Switch, and Power Detector Coupler
- Single Supply Voltage 3.0V to 4.8V
- P<sub>OUT</sub> = 20dBm

Order RFMD® products online at [www.rfmd.com/rfmdExpress](http://www.rfmd.com/rfmdExpress).

For sales or technical support, contact your authorized local sales representative (see [www.rfmd.com/globalsales](http://www.rfmd.com/globalsales)).

Register to receive RFMD's latest product releases with our Email Component Alerts at [www.rfmd.com/emailalert](http://www.rfmd.com/emailalert).

7628 Thorndike Rd., Greensboro, NC 27409-9421 USA • Phone 336.664.1233

These products comply with RFMD's green packaging standards.

RFMD® is a trademark of RFMD, LLC. All other trade names, trademarks and registered trademarks are the property of their respective owners. ©2011 RFMD.

MPG.RF5755 and RF5765.0611.100



Mobility. Connectivity. Energy.