

# RFMD®

## High Power Front End Modules and Power Amplifiers



### FEATURES

- Single supply voltage 5.0V
- 35dB typical gain across frequency band
- $P_{OUT} = 27\text{dBm} < 2.5\% \text{ EVM}$
- 2.4GHz to 2.5GHz frequency range
- 1 x 1 MIMO architecture
- Integrated 3-stage PA, filtering & T/R switch

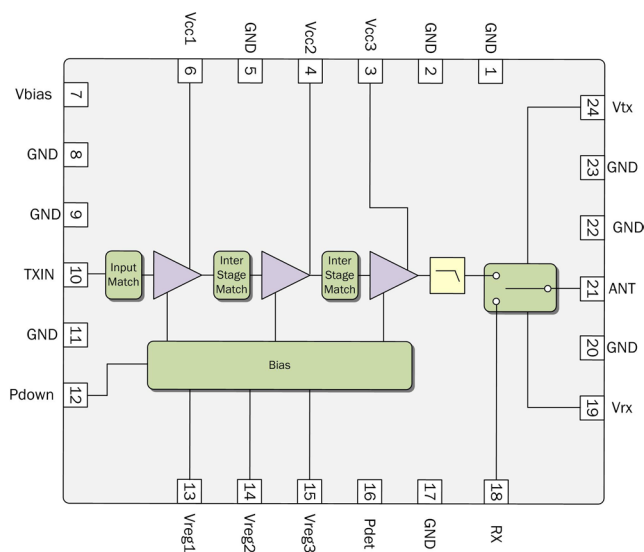
The RF5605 and RFFM420X from RFMD are 6 x 6mm high power, front end modules that are intently specified to address IEEE 802.11b/g/n/ac WiFi 2.4 -2.5GHz customer premises equipment (CPE) applications. They each have an integrated three-stage linear power amplifier, TX harmonic filtering, and SPDT switch. These modules also have a fully matched input and output for a 50Ω system and incorporate matching networks optimized for linear output power and efficiency. With mirrored pinout options, these modules align with any chip set or configuration used for WiFi designs.

Freq Range (Min) (MHz)	Freq Range (Max) (MHz)	$P_{OUT}$ (dBm)	EVM (%)	Gain (dB)	$V_{CC}$ (V)	$I_{CC}$ (mA)	Package	Part Number
2400	2500	27.0	2.5	35.0	5.0	900	Laminate Module	RF5605
2400	2500	25.0	2.5	33.0	5.0	420	Laminate Module	RFFM4200
2400	2500	25.0	2.5	33.0	5.0	420	Laminate Module	RFFM4201
2400	2500	27.0	2.5	35.0	5.0	900	Laminate Module	RFFM4202

Note: Rated power measured at antenna port at front end module

Order RFMD products online at [www.rfmd.com/MWJ1011](http://www.rfmd.com/MWJ1011).

RF5605/RFFM4200 Diagram



RFFM4201/RFFM4202 Diagram

