

RFMD®

RF53x5

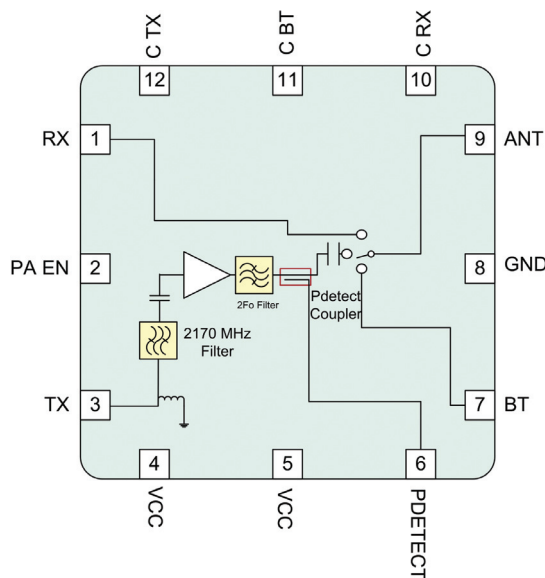
2.5GHz WiFi Front End Modules



RFMD's line of high-efficiency 2.5GHz front end modules (FEMs) offer higher linear output power and high levels of integration for reduced component count. These FEMs are optimized for a wide range of high-performance WiFi applications including mobile devices, consumer electronics, SmartEnergy, and much more. These front end products are specifically designed to address the need for aggressive size reduction in a typical 802.11b/g/n front end design and offer a reduced footprint and minimized component count outside of the core chipset.

SPECIFICATIONS

Part Number	Architecture	Freq (GHz)	Gain (dB)	Avg P _{OUT} (dBm)	EVM %	V _{CC} (V)	Current at P _{OUT} (mA)	Package Style	RoHS Comp Pb Free
RF5365/75	2.4GHz FEM, PA, SP3T SW, and P _{DET}	2.4 to 2.5	27	18	3.0	3.0 to 4.8	170	QFN 2.5 x 2.5	Y
RF5385/95	2.4GHz FEM, PA, SP3T SW, and P _{DET}	2.4 to 2.5	27	20	3.0	3.0 to 4.8	190	QFN 2.5 x 2.5	Y



RF5365/RF5375 (mirror image)

- PA, LPF, SP3T
- 18dBm at 3.0%
- 2.5 x 2.5 x 0.5mm

RF5385/RF5395 (mirror image)

- High Power PA, SP3T
- 20dBm at 3.0%
- 2.5 x 2.5 x 0.5mm

Order RFMD products online at www.rfmd.com/rfmdExpress.

For sales or technical support, contact your authorized local sales representative (see www.rfmd.com/globalsales).

Register to receive RFMD's latest product releases with our Email Component Alerts at www.rfmd.com/emailalert.

7628 Thorndike Rd., Greensboro, NC 27409-9421 USA • Phone 336.664.1233

These products comply with RFMD's green packaging standards.

RFMD® is a trademark of RFMD, LLC. All other trade names, trademarks and registered trademarks are the property of their respective owners. ©2011 RFMD.

MPG.RF53x5.0511.20



Mobility. Connectivity. Energy.