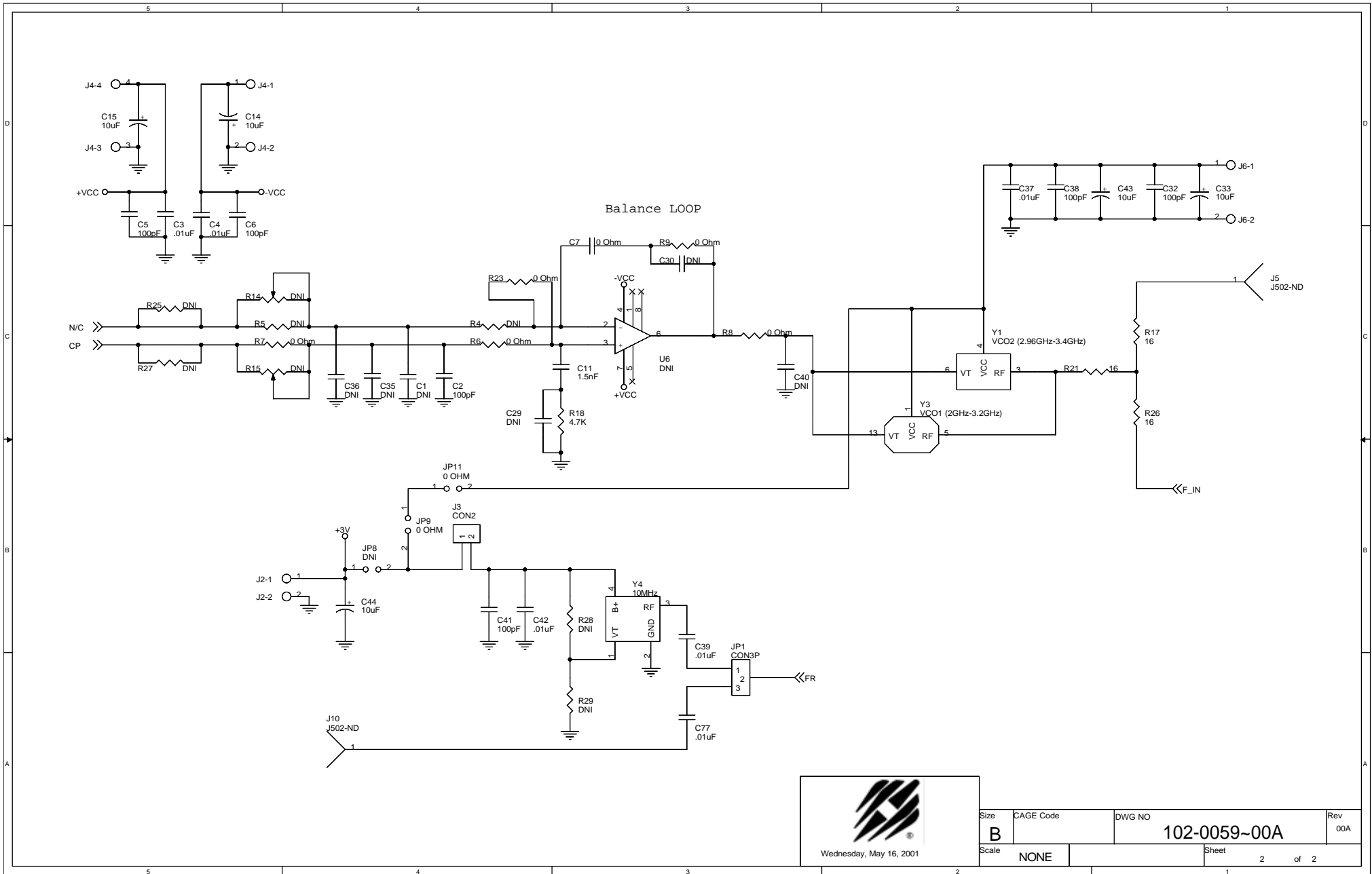
	Peregrine Semiconductor Corporation 6175 Nancy Ridge Dr. San Diego, CA 92121			
	PE9701 PLL Eval board			
Size	C	CAGE Code	DWG NO	Rev
			102-0059-00A	00A
Scale	NONE		Sheet	1 of 2
Wednesday, May 16, 2001				



Size	CAGE Code	DWG NO	Rev
B		102-0059~00A	00A
Scale	NONE		Sheet 2 of 2

Peregrine Semiconductor Corporation
PE9701 PLL Eval board Revised: Thursday, May 10, 2001
Bill Of Materials

Item	Quantity	Reference	Value	Part Description	Notes
1	2	CA2,CA4	100pF	SMC 3-Terminal Cap Array	
2	1	C1	DNI	AVX Chip Cap 1206	DO NOT INSTALL
3	1	C2	100pF	Cap 1206, PPS high grade	Loop Filter
4	7	C3,C4,C17,C37,C39,C42,C77	.01uF	AVX Chip Cap 0805	
5	8	C5,C6,C8,C10,C32,C34,C38,C41	100pF	AVX Chip Cap 0603	
6	1	C7	0 Ohm	AVX Chip Resistor 0805	Loop Filter
7	4	C9,C12,C16,C25	100pF	AVX Chip Cap 0805	
8	1	C11	1.5nF	Cap 1206, PPS high grade	Loop Filter
9	6	C13,C14,C15,C33,C43,C44	10uF	Cap 2513	
10	9	C18,C19,C20,C21,C22,C23,C24,C28,C45	22pF	AVX Chip Cap 0603	
11	1	C26	.01uF	AVX Chip Cap 0603	
12	4	C29,C30,C35,C36	DNI	AVX Chip Cap 0603	DO NOT INSTALL
13	1	C40	DNI	PPS CAP 1206	DO NOT INSTALL
14	7	D1,D2,D3,D4,D5,D6,D7	2.7V	Panasonic Zener Diode	
15	1	JP1	CON3	3 Pin Header	REF Select
16	4	JP4,JP6,JP9,JP11	0 OHM	0603 Jumper	
17	1	JP8	DNI	0603 Jumper	DO NOT INSTALL
18	1	J1	CONRA-8P-100X	8 Pin Header	Serial control
19	1	J2	CON2	2 Pin Header, .100	PLL VDD supply
20	1	J3	CON2	2 Pin Header	TCXO VCC Supply
21	1	J4	CON4	4 Pin Header, .100	Op Amp +/-6V supply
22	2	J5,J10	J502-ND	SMA Connector (Side Mount)	
23	1	J6	CON2	2 Pin Header, .100	VCO VCC supply
24	3	R1,R2,R3	10K	10 Pin SIP Resistor	
25	1	R4	DNI	AVX Chip Resistor 0603	DO NOT INSTALL
26	1	R5	DNI	SMD Resistor 0805	DO NOT INSTALL
27	2	R6,R23	0 Ohm	AVX Chip Resistor 0603	
28	2	R7,R9	0 Ohm	SMD Resistor 0805	
29	1	R8	0 Ohm	SMD Resistor 0805	Low pass filter (with C40)
30	4	R10,R11,R12,R22	220	16 Pin SMD R-Pack	
31	1	R13	DNI	SMD Resistor 0603	
32	2	R14,R15	DNI	POT	DO NOT INSTALL
33	2	R19,R16	470	SMD Resistor 0603	2 dB pad
34	3	R17,R21,R26	16	SMD Resistor 0805	Power splitter
35	1	R18	4.7K	SMD Resistor 0805	Loop Filter
36	1	R20	12	SMD Resistor 0603	2 dB pad
37	1	R24	51	SMD Resistor 0603	
38	2	R25,R27	DNI	SMD Resistor 0402	DO NOT INSTALL
39	2	R29,R28	DNI	SMD Resistor 0603	DO NOT INSTALL
40	3	S1,S2,S3	SW DIP-8		
41	5	TP1,TP2,TP3,TP9,TP11	T POINT A	Test Point	
42	1	U1	3.0GHz	Peregrine PE9701 PLL in PLCC socket	
43	1	U6	DNI	Ultra Low Noise OP AMP	DO NOT INSTALL
44	1	Y1	VCO2 (2.96GHz-3.4GHz)	MODCO LV142MLN VCO	
45	1	Y3	VCO1 (2GHz-3.2GHz)	M3500-2032 VCO	DO NOT INSTALL
46	1	Y4	10MHz	Vectron TCXO OSC-3A0-10MHz	
47	1	101/0002-03A		44 Lead PLL PCB	