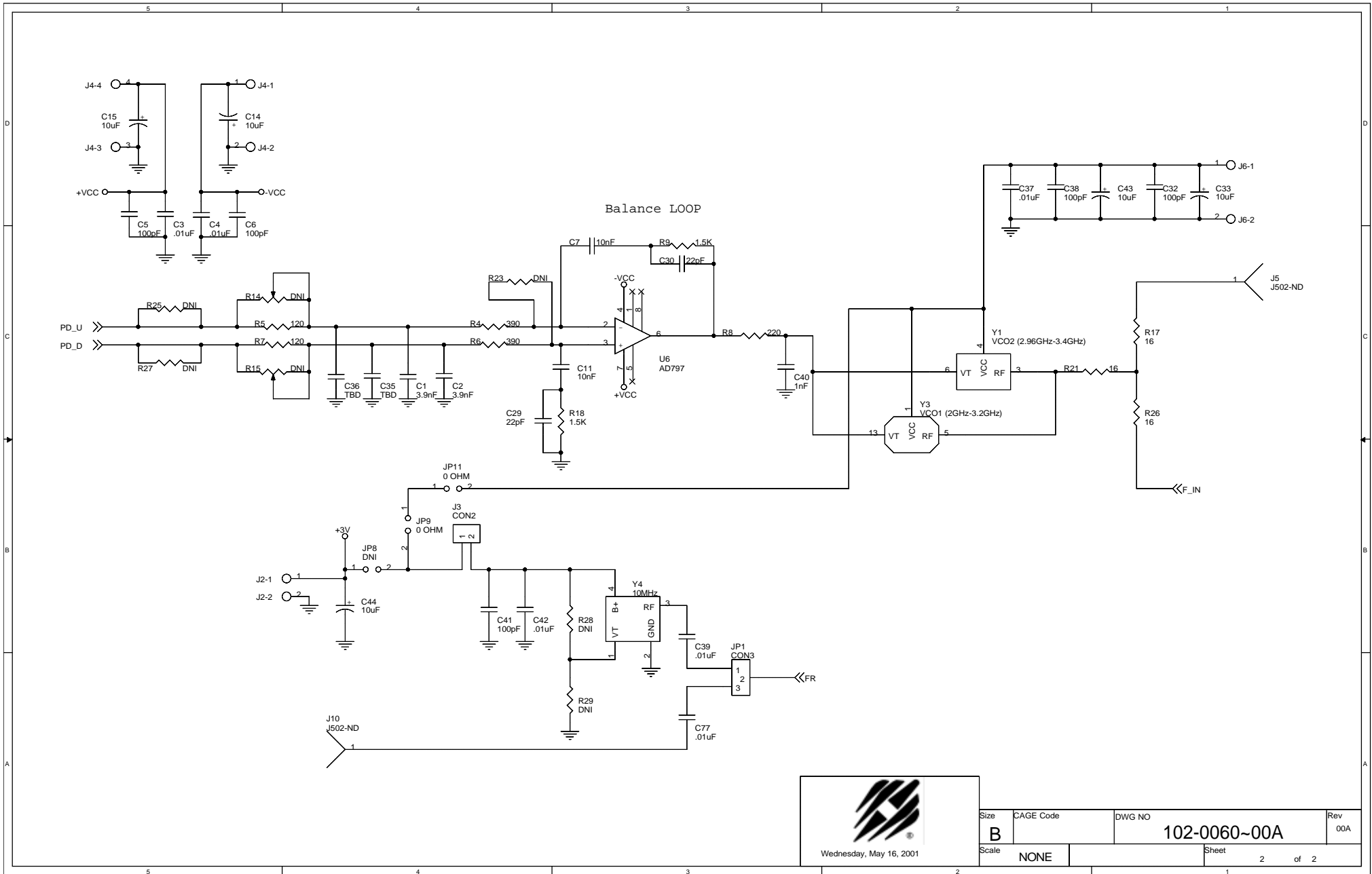
	Peregrine Semiconductor Corporation 6175 Nancy Ridge Dr. San Diego, CA 92121			
	PE9702 PLL Eval board			
Size	C	CAGE Code	DWG NO	Rev
			102-0060-00A	00A
Scale	NONE		Sheet	1 of 2
Tuesday, May 15, 2001				



Size	CAGE Code	DWG NO	Rev
B		102-0060~00A	00A
Scale	NONE	Sheet	2 of 2

Peregrine Semiconductor Corporation
PE9702 PLL Eval board Revised: Thursday, May 10, 2001
Bill Of Materials

Item	Quantity	Reference	Value	Part Description	Notes
1	2	CA2,CA4	100pF	SMC 3-Terminal Cap Array	
2	2	C1,C2	3.9nF	Chip Cap 1206, PPS high grade	Loop Filter
3	8	C3,C4,C17,C26,C37,C39,C42,C77	.01uF	AVX Chip Cap 0805	
4	12	C5,C6,C8,C9,C10,C12,C16,C25,C32,C34,C38,C41	100pF	AVX Chip Cap 0603	
5	2	C7,C11	10nF	Cap 1206, PPS high grade	Loop Filter
6	6	C13,C14,C15,C33,C43,C44	10uF	Cap 2513	
7	11	C18,C19,C20,C21,C22,C23,C24,C28,C29,C30,C45	22pF	AVX Chip Cap 0603	
8	2	C35,C36	TBD	AVX Chip Cap 0603	For Trimming
9	1	C40	1nF	PPS CAP 1206	Low pass filter (with R8)
10	7	D1,D2,D3,D4,D5,D6,D7	2.7V	Panasonic Zener Diode	
11	1	JP1	CON3	3 Pin Header	REF Select
12	4	JP4,JP6,JP9,JP11	0 OHM	0603 Jumper	
13	1	JP8	DNI	0603 Jumper	DO NOT INSTALL
14	1	J1	CONRA-8P-100X	8 Pin Header	Serial control
15	1	J2	CON2	2 Pin Header, .100	PLL VDD supply
16	1	J3	CON2	2 Pin Header	TCXO VCC Supply
17	1	J4	CON4	4 Pin Header, .100	Op Amp +/-6V supply
18	2	J5,J10	J502-ND	SMA Connector (Side Mount)	
19	1	J6	CON2	2 Pin Header, .100	VCO VCC supply
20	3	R1,R2,R3	10K	10 Pin SIP Resistor	
21	2	R6,R4	390	AVX Chip Resistor 0603	
22	2	R7,R5	120	SMD Resistor 0805	
23	1	R8	220	SMD Resistor 0805	Low pass filter (with C40)
24	2	R18,R9	1.5K	SMD Resistor 0805	Loop Filter
25	4	R10,R11,R12,R22	220	16 Pin SMD R-Pack	
26	1	R13	DNI	SMD Resistor 0603	
27	2	R14,R15	DNI		DO NOT INSTALL
28	2	R19,R16	470	SMD Resistor 0603	2 dB pad
29	3	R17,R21,R26	16	SMD Resistor 0805	Power splitter
30	1	R20	12	SMD Resistor 0603	2 dB pad
31	1	R23	DNI	AVX Chip Resistor 0603	DO INSTALL
32	1	R24	51	SMD Resistor 0603	
33	2	R25,R27	DNI	SMD Resistor 0402	DO NOT INSTALL
34	2	R29,R28	DNI	SMD Resistor 0603	DO NOT INSTALL
35	3	S1,S2,S3	SW DIP-8		
36	5	TP1,TP2,TP3,TP9,TP11	T POINT A	Test Point	
37	1	U1	3.0GHz	Peregrine PE9702 PLL in PLCC socket	
38	1	U6	AD797	Ultra Low Noise OP-AMP	
39	1	Y1	VCO2 (2.96GHz-3.4GHz)	MODCO LV142MLN VCO	
40	1	Y3	VCO1 (2GHz-3.2GHz)	M3500-2032 VCO	DO NOT INSTALL
41	1	Y4	10MHz	Vectron TCXO OSC-3A0-10MHz	
42	1	101/0002-03A		44 Lead PLL PCB	