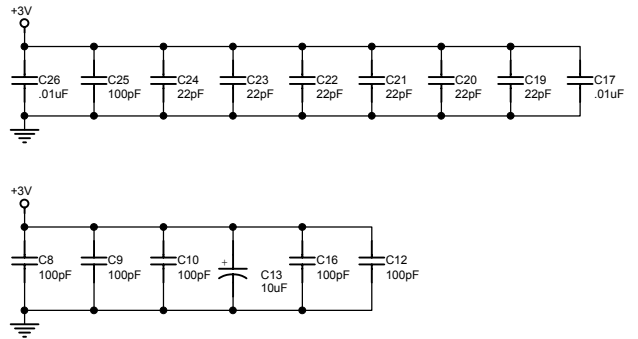
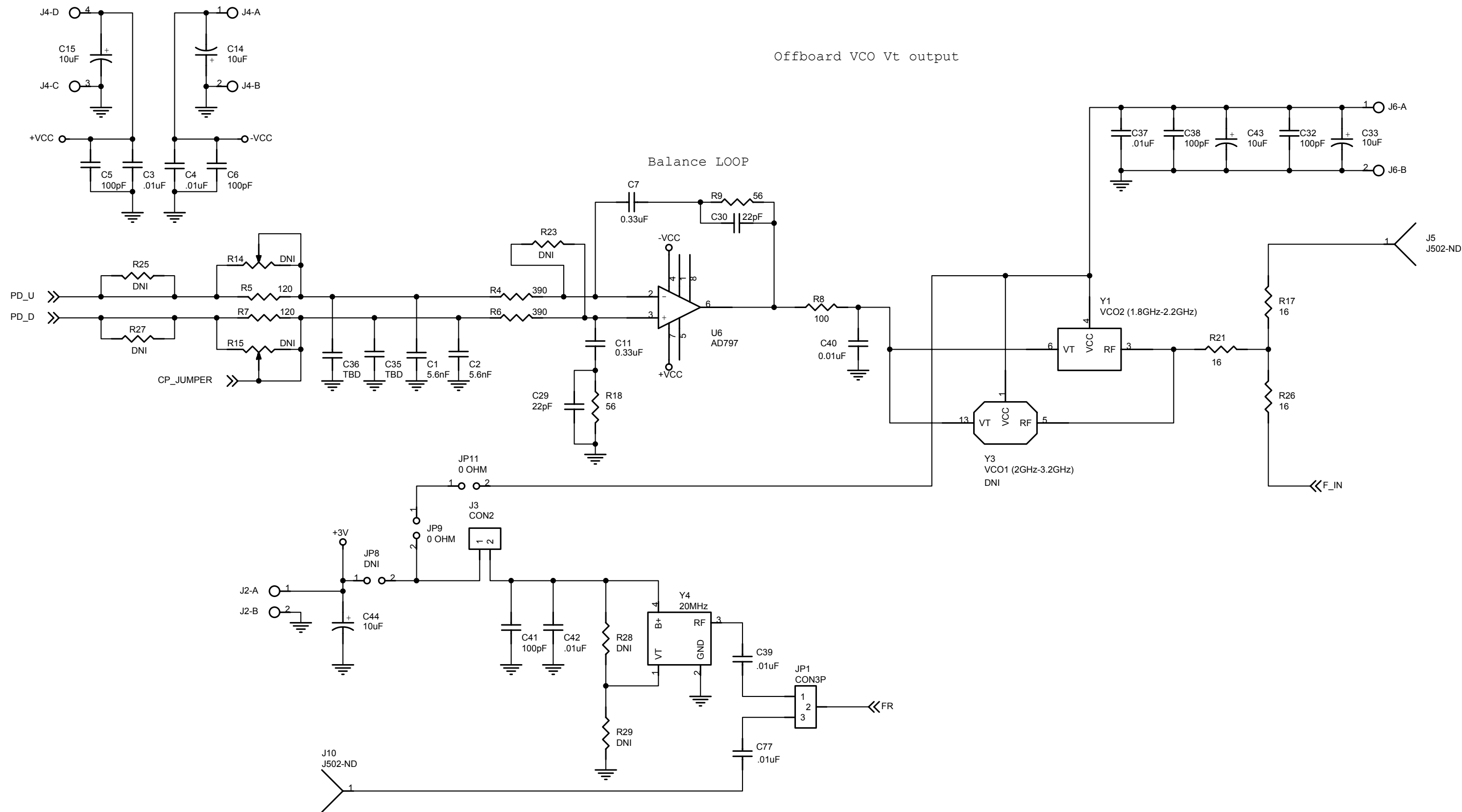


* note: PD_U and PD_D
will be as follows:
W=.01 G=.03 L=PtoP



NOTES:
1. USE 101-0070-01A PCB.
2. CAUTION:
CONTAINS PARTS AND ASSEMBLIES SUSCEPTIBLE
TO DAMAGE BY ELECTROSTATIC DISCHARGE (ESD)

PEREGRINE SEMICONDUCTOR	
9450 Carroll Park Drive San Diego, CA 92121	
DESIGNED BY JEFF LUNDY	DATE 8-5-10
DESIGNED BY KHELIL OUZNALI	DATE 8-5-10
PE33361 EK Schematic	
102-0079	
02	



Size	CAGE Code	DWG NO	Rev
		102-0079	02
Scale	Sheet		
	2 of 3		

Peregrine Semiconductor Corporation
PE33361 EK
Bill Of Materials

Item	Quantity	Reference	Value	Part Description	Manufacturer	Manufacturer Part Number	Distributor	Distributor Part Number	Data Sheet	Notes
1	2	CA4,CA2	100pF	PAN Chip Capacitor Array, 100pF, 25V, ±10%, 1206	Panasonic - ECG	EZA-SCE101M	Digi-Key	P10194CT-ND	http://www.panasonic.com/industrial/components/pdf/AEH0000CE4.pdf	
2	2	C2,C1	5.6nF	AVX SMD, Ceramic Capacitor, 5.6nF, 50V, X7R, ±10%, 1206	AVX Corporation	12065C562KAT2A	Digi-Key	478-1539-2-ND	http://www.avx.com/prodinfo_productdetail.asp?l=4&ParentID=124	Loop Filter
3	7	C3,C4,C17,C37,C39,C42,C77	0.1uF	PAN SMD Capacitor, Ceramic, 0.1uF, 50V, X7R, ±10%, 0805	Panasonic - ECG	ECJ-2VB1H103K	Digi-Key	PCC103BNTR-ND	http://www.panasonic.com/industrial/components/pdf/abj0000ce1.pdf	
4	13	C5,C6,C8,C10,C32,C34,C38,C41,C9,C12,C16,C25	100pF	PAN SMD Capacitor, Ceramic, 100pF, 50V, NPO, ±5%, 0603	Panasonic - ECG	ECJ-1VC1H101J	Digi-Key	PCC101ACVTR-ND	http://www.panasonic.com/industrial/components/pdf/abj0000ce1.pdf	
5	2	C7,C11	0.33uF	PAN SMD Capacitor, Ceramic, 0.33uF, 16V, X7R, ±10%, 1206	Panasonic - ECG	ECJ-3VB1C334K	Digi-Key	PCC1876TR-ND	http://industrial.panasonic.com/www-data/pdf/ABJ0000/ABJ0000CE1.pdf	Loop Filter
6	2	C29,C30	22pF	AVX SMD Capacitor, Ceramic, 22pF, 100V, C0G (NPO), ±5%, 0603	AVX Corporation	06031A220JAT2A	Digi-Key	478-1142-2-ND	http://www.avxcorp.com/docs/Catalogs/ccdg.pdf	
7	8	C13,C14,C15,C33,C43,C44	10uF	PAN SMD Capacitor, Tantalum, 10uF, 25V, TEH, 125°C, ±20%, 7343-31 (EIA)	Panasonic - ECG	ECS-H1ED106R	Digi-Key	PCT3106TR-ND	http://rocky.digikey.com/WebLib/Panasonic/Web_data/ECS-H_Series.pdf	
8	8	C18,C19,C20,C21,C22,C23,C24,C28,C45	22pF	AVX SMD Capacitor, Ceramic, 22pF, 100V, C0G (NPO), ±5%, 0603	AVX Corporation	06031A220JAT2A	Digi-Key	478-1142-2-ND	http://www.avxcorp.com/docs/Catalogs/ccdg.pdf	
9	1	C26	0.1uF	CAP CER, 0.1UF, 50V, COG, 0805	Murata	GCM2195C1H103JA16D	Digi-Key	490-4783-2-ND	http://search.digikey.com/scripts/DkSearch/dksus.dll?Detail&name=490-4783-2-ND	
10	2	C35,C36	DNI	AVX Chip Cap 0603	AVX Corporation					DNI
11	1	C40	0.01uF	AVX SMD Capacitor, Ceramic, 0.01uF, 50V, X7R, ±10%, 1206	AVX Corporation	12065C103KAT2A	Digi-Key	478-1542-2-ND	http://www.avxcorp.com/docs/Catalogs/cx7r.pdf	
12	7	D1,D2,D3,D4,D5,D6,D7	2.7V	PAN Diode Zenner, 2.7V, 150MW, 200mA, S-MINI 2P	Panasonic - SSG	MAZ80270HL	Digi-Key	MAZ80270HLC-ND	http://www.semicon.panasonic.co.jp/ds/eng/SKE00007CED.pdf	
13	1	JP1	CONN3P	CONN HEADER, 100 SINGLE STR 36POS	Sullins Electronics Corp.	PZC36SAAN	Digi-Key	S1011-36-ND	http://rocky.digikey.com/WebLib/Sullins/Web%20Data/PZC36SAAN.PDF	Cut to 3 Pin Header .100
14	3	JP4,JP6,JP12	JUMPER SMALL	0402 Jumper						DNI
15	1	JP8	JUMPER SMALL	0603 Jumper						DNI
16	1	JP9,JP11	0 OHM	PAN SMD Resistor, Thick Film, 0 Ohm, 1/10W, ±5%, 0603	Panasonic - ECG		Digi-Key			
17	1	J1	CONRA-8P-100X	CONN HEADER 8POS, 100 VERT TIN	MOLEX	22-23-2081	Digi-Key	WM4206-ND		
18	1	J4	HDR4	CONN HEADER, W/ FRIC LCK, 4POS, 100 VERT TIN	Molex/Waldom Electronics Corp.	22-23-2041	Digi-Key	WM4202-ND	http://www.molex.com/product/pcb/8373.pdf	
19	1	J3	CON2	CONN HEADER, 100 SINGLE STR 36POS	Sullins Electronics Corp.	PZC36SAAN	Digi-Key	S1011-36-ND	http://rocky.digikey.com/WebLib/Sullins/Web%20Data/PZC36SAAN.PDF	Cut to 2 Pin Header .100
20	2	J5,J10	J502-ND	SMA Connector (Side Mount) CONN JACK END LAUNCH PCB, 187° G	Emerson Network Power	142-0701-801	Digi-Key	J502-ND	http://search.digikey.com/scripts/DkSearch/dksus.dll?vendor=0&keywords=J502-nd	
21	2	J2,J6	HDR2	CONN HEADER 2POS, 100 VERT TIN	Molex/Waldom Electronics Corp.	22-23-2021	Digi-Key	WM4200-ND	http://search.digikey.com/scripts/DkSearch/dksus.dll?Detail&name=WM4200-ND	
22	3	R1,R2,R3	10K	RES NET BUSSEDD 10K OHM 10-SIP	Bourns	4610X-1-103LF	Digi-Key	4610X-1-103LF-ND	http://search.digikey.com/scripts/DkSearch/dksus.dll?Detail&name=4610X-1-103LF-ND	
23	2	R6,R4	390	PAN SMD Resistor, Thick Film, 390 Ohm, 75V, 1/16W, ±0.1%, 0603	Panasonic - ECG	ERA-3YEB391V	Digi-Key	P390YTR-ND	http://www.panasonic.com/industrial/components/pdf/aca0000ce8.pdf	
24	2	R5,R7	120	PAN SMD Resistor, Thick Film, 120 Ohm, 1/10W, ±0.1%, 0805	Panasonic - ECG	ERA-6YEB121V	Digi-Key	P120ZTR-ND	http://www.panasonic.com/industrial/components/pdf/aca0000ce8.pdf	
25	1	R8	100	PAN SMD Resistor, Thick Film, 100 Ohm, 100V, 1/10W, ±0.1%, 0805	Panasonic - ECG	ERA-6YEB101V	Digi-Key	P100ZTR-ND	http://www.panasonic.com/industrial/components/pdf/aca0000ce8.pdf	
26	2	R18,R9	56	PAN SMD Resistor, Thick Film, 56 Ohm, 1/10W, ±5%, 0805	Panasonic - ECG	ERA-S33J560V	Digi-Key	P56CDCT-ND	http://www.panasonic.com/industrial/components/pdf/AOF0000CE1.pdf	
27	4	R10,R11,R12,R22	220 Ohms	CTS Thick Film Chip Resistor Chip Array 16TRM, 8RES, 220 Ohm, 50V, 742, 0.063W, ±5%	CTS Corporation Resistor/Electrocomponents	742C1632Z1JTR	Digi-Key	742C1632Z1JTR-ND	http://rocky.digikey.com/WebLib/CTS/Web%20Data/741-746%20Series.pdf	
28	1	R15	DNI	SMD Resistor 0603						DNI
29	2	R14,R15	DNI	POT						DNI
30	1	R19	51	PAN SMD Resistor, Thick Film, 50 Ohm, 1/10W, ±5%, 0603	Vishay	FC0603E50R0BTBST1	Digi-Key	FC0603-50BFTR-ND	http://search.digikey.com/scripts/DkSearch/dksus.dll?Detail&name=FC0603-50BFTR-ND	
31	3	R17,R21,R26	16	PAN SMD Resistor, Thick Film, 16 Ohm, 50V, 1/8W, ±5%, 0805	Panasonic - ECG	ERJ-6GEYJ160V	Digi-Key	P16ATR-ND	http://www.panasonic.com/industrial/components/pdf/AOA0000CE1.pdf	
32	1	R20	0	PAN SMD Resistor, Thick Film, 0 Ohm, 1/10W, ±5%, 0603	Panasonic - ECG		Digi-Key			
33	2	R23,R16,R25,R27	DNI	AVX Chip Resistor 0603						
34	1	R24	51	PAN SMD Resistor, Thick Film, 51 Ohm, 1/10W, ±5%, 0603	Panasonic - ECG	ERJ-3GEYJ510V	Digi-Key	P51GTR-ND	http://www.panasonic.com/industrial/components/pdf/AOA0000CE1.pdf	
35	2	R29,R28	DNI	SMD Resistor 0603						
36	3	S1,S2,S3	DIP-8	dip switch	Mountain Switch	106-1208-EV			http://www.mouser.com/ProductDetail/Mountain-Switch/106-1208-EV?qs=sGAEpImZMZMv%2f%252b2JhIA6ysPdIOTSCNMWNOprcOg9jpc%3d	DO NOT INSTALL
37	5	TP1,TP2,TP3,TP9,TP11	DNI	I.C. Test Point						
38	2	TP19,TP20	GND Test Point	GND Test Point Kyestone 534-1593-3	1593-3	534-1593-3	Mouser Electronics			
39	1	U1	CRSM-MLP487X7	PEREGRINE PLL	PE33361	PE33361	PEREGRINE PART	PEREGRINE PART	http://www.peregrine-semi.com/	
40	1	U6	AD797	Ultra Low Noise OP, AD797, SO-8 Package size	Analog Devices	AD797				
41	1	Y1	VCO2 (1.8GHz-2.2GHz)	1865 MHz-2055 MHz	Micronetics VCO for WLL Handset Applications, 1.865GHz-2.055GHz	Micronetics	MW520	Micronetics	MW520	http://www.micronetics.com/pdf/mw520.pdf
42	1	Y3	VCO1 (2GHz-3.2GHz)	Micronetics VCO, 2GHz-3.2GHz	Micronetics	M3500-2032S	Micronetics	M3500-2032S	http://www.intranet/users/Departments/CAD_Engineering/OrcadDatabase/Specification_Sheets/VCO_M3500C-2032S.pdf	DO NOT INSTALL
43	1	Y4	20MHz -5V	Vectron International, Ultra miniature TCXO, 5VDC ±5% <2 mA MAX, 20MHz	Vectron International	VT-490-DFJ-2560-20M	RD&D	OSC-3A0-20MHz	http://www.vectron.com/products/tcxo/osc_series.pdf	
				OSC-3A0-20MO						