

6

5

4

3

2

1

D

D

C

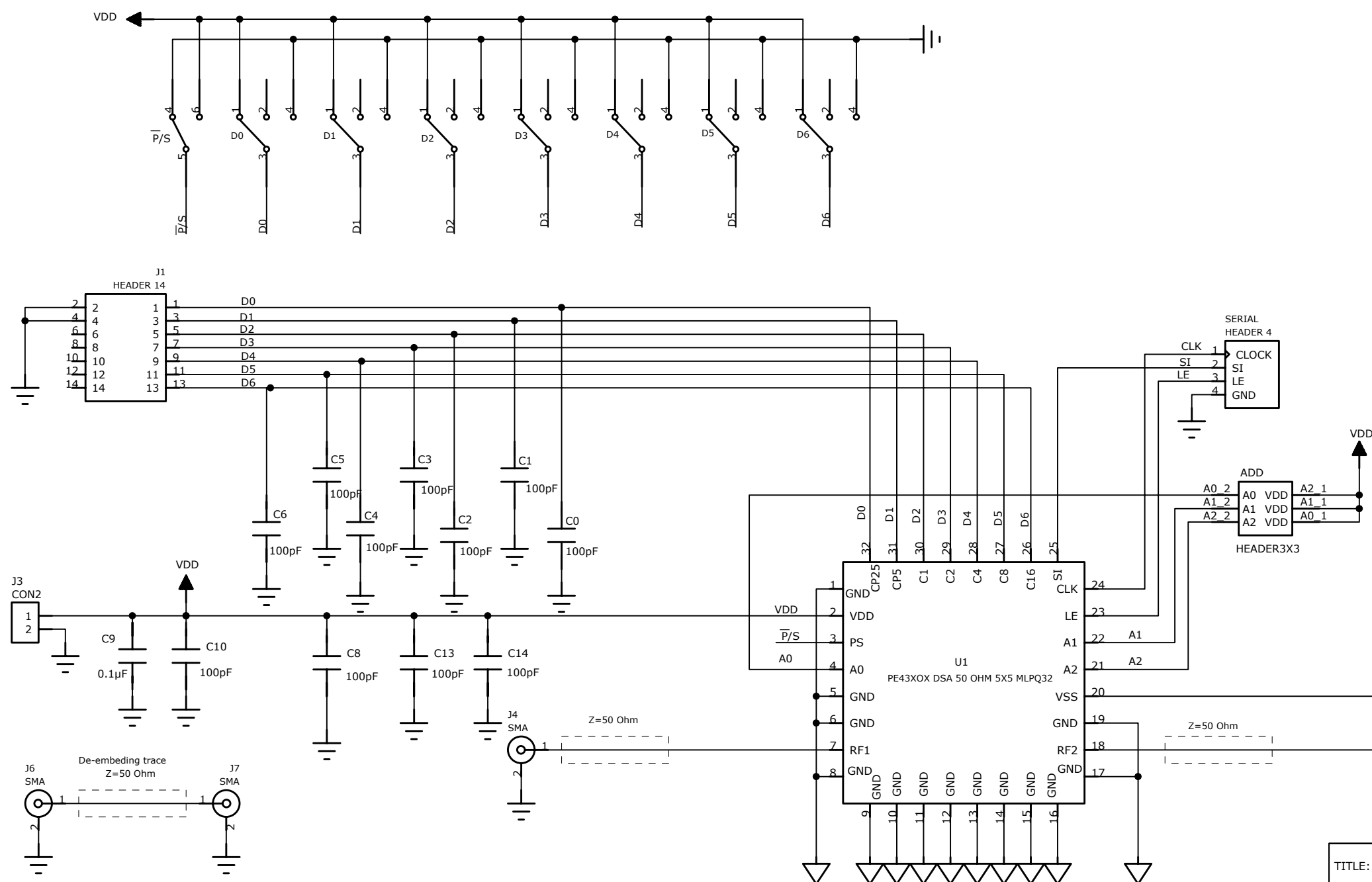
C

B

B

A

A



Cable Assembly used on the 102-0379 and 102-0381 BOM's

25-pin parallel connector
 D-Sub Connector Plug: Mouser 156-1225
 D-Sub Connector Hood: Mouser 156-2025

14-pin connector
 14 Pin Connector: Digkey CSC14G-ND

4-pin connector
 4 Pin Connector: Digkey WM2002-ND

DSA Pin Name	Parallel Connector Pin #	Ribbon Cable wire #'s	14-pin connector pin #'s	4-pin connector pin #'s
D0	2	1	1	
D1	3	3	3	
D2	4	5	5	
D3	5	7	7	
D4	6	9	9	
D5	7	11	11	
D6	8	13	13	
CLK	14	15		1
DATA	16	16		2
LE	17	17		3
GND	18	18		4
N/C	19-23	6,8,10,12,14	6,8,10,12,14	
GND	24-25	2,4	2,4	

Cable is 1-meter long
 Ribbon Cable, 14 Conductor: Mouser 517-3302-14
 Reference: DSA Cable Assembly Instructions 10-0238

- NOTES:**
- USE 101-0312-05 PCB.
 - CAUTION:**
CONTAINS PARTS AND ASSEMBLIES SUSCEPTIBLE TO DAMAGE BY ELECTROSTATIC DISCHARGE (ESD)
 - DSA CABLE ASSEMBLY INSTRUCTIONS 10-0238

TITLE: **SCHEMATIC, PE43X0X DSA 50 Ohm 5x5 MLP32**

CHECKED: JEFF LUNDY	DATED: 11-13-08	CODE:	SIZE:	DRAWING NO: 102-0381	REV: 07
QUALITY CONTROL: SHAWN BAWELL	DATED: 11-13-08	SCALE:		SHEET: 1 of 1	

Item	Qty	Reference	Value	Description	Manufacturer	Manufacturer Part Number	Distributor	Distributor Part Number	Data Sheet	Notes
1	8	C8 C13-14	100pF	PAN SMD Capacitor, Ceramic, 100pF, 50V, NP0, ±5%, 0402	Panasonic - ECG	ECJ-1VC1H101J	Digi-Key	PCC101CQTR-ND	http://www.panasonic.com/industrial/components/pdf/abi0000ce1.pdf	
2	7	C0-C6	100pF	PAN SMD Capacitor, Ceramic, 100pF, 50V, NP0, ±5%, 0402	Panasonic - ECG	ECJ-1VC1H101J	Digi-Key	PCC101CQTR-ND	http://www.panasonic.com/industrial/components/pdf/abi0000ce1.pdf	DNI C0 THRU C6
3	1	C11	0.1uF	PAN SMD Capacitor, Ceramic, 100pF, 50V, NP0, ±5%, 0603	Panasonic - ECG	19	Digi-Key	PCC101ACVTR-ND	http://www.panasonic.com/industrial/components/pdf/abj0000ce1.pdf	DNI EXCEPT FOR PE43703 BUILD
4	1	C9	0.1µF	PAN SMD Capacitor, Ceramic, 0.1µF, 50V, X7R, ±10%, 0603	Panasonic - ECG	ECJ-1VB1H104	Digi-Key	PCC2398TR-ND	http://www.panasonic.com/industrial/components/pdf/abi0000ce1.pdf	
5	1	C10	100pF	PAN SMD Capacitor, Ceramic, 100pF, 50V, NP0, ±5%, 0603	Panasonic - ECG	ECJ-1VC1H101J	Digi-Key	PCC101ACVTR-ND	http://www.panasonic.com/industrial/components/pdf/abi0000ce1.pdf	
6	1	C12	100pf	PAN SMD Capacitor, Ceramic, 0.1µF, 50V, X7R, ±10%, 0603	Panasonic - ECG	ECJ-1VB1H104	Digi-Key	PCC2398TR-ND	http://www.panasonic.com/industrial/components/pdf/abi0000ce1.pdf	DNI EXCEPT FOR PE43703 BUILD
7	1	R1	0 OHM	PAN SMD Thick Film Chip Resistor, 0 Ohm, 1/16W, ±5%, RoHs, 0402	Panasonic - ECG	ERJ-2GE0R00X	Digi-Key	P0.0JTR-ND	http://www.panasonic.com/industrial/components/pdf/A0000CE1.pdf	DNI EXCEPT FOR PE43703 BUILD
8	1	R2	DNI	PAN SMD Thick Film Chip Resistor, 0 Ohm, 1/16W, ±5%, RoHs, 0402	Panasonic - ECG	ERJ-2GE0R00X	Digi-Key	P0.0JTR-ND	http://www.panasonic.com/industrial/components/pdf/A0000CF1.pdf	DNI R2 FOR PE43703 BUILD
9	1	ADD								
10	1	SERIAL	HEADER 4		Molex/Waldom Electronics Corp					
11	1	J1	HEADER 14	CONN HEADER .100 DUAL STR 72POS	Sullins Electronics Corp.	PZC36DABN	Digi-Key	S2021-36-ND	http://rocky.digikey.com/WebLib/Sullins/Web%20Data/PZC36DABN.pdf	Cut to 14 Pin Header .100
12	1	U1	DSA5x5MLP32	PE43X0X DSA 50 OHM 5x5 MLP32						
13	1	J2	CON2	CONN HEADER .100 SINGLE STR 36POS	Sullins Electronics Corp.	PZC36SAAN	Digi-Key	S1011-36-ND	http://rocky.digikey.com/WebLib/Sullins/Web%20Data/PZC36SAAN.PDF	DNI EXCEPT FOR PE43703 BUILD
14	1	J3	CON2	CONN HEADER .100 SINGLE STR 36POS	Sullins Electronics Corp.	PZC36SAAN	Digi-Key	S1011-36-ND	http://rocky.digikey.com/WebLib/Sullins/Web%20Data/PZC36SAAN.PDF	Cut to 2 Pin Header .100
15	4	J4-7	SMA	SMA 500 END LAUNCH JACK RECEPTACLE-ROUND CONTACT	Johnson Components Inc.	142-0701-801	Digi-Key	J502-ND	http://rocky.digikey.com/WebLib/Johnson%20Components/Web%20Data/142-0701-801.%20142-0701-806.pdf	
16	1	P/S	GW12LCP-RO	NKK Switches, SPDT, Rocker Switch RD STR PCB, RoHS	NKK Switches	GW12LCP-RO	Digi-Key	GW12LCP-RO-ND	http://www.nkkswitches.com/pdf/GW.pdf	
17	7	D0-6	SS14MDP2	NKK Switches, SP3T, Slide Switch RD STR PCB, RoHS	NKK Switches	SS14MDP2				
18	1	PCB	101-0312-05	PCB, PE43X0X DSA 50 OHM 5X5 MLP32						
19										
20	1	cable assy		D-Sub Connector Plug	Kobiconn	156-1225	Mouser	156-1225	www.mouser.com	
21	1	cable assy		D-Sub Connector Plastic Hood	Kobiconn	156-2025	Mouser	156-2025	www.mouser.com	
22	1	cable assy		Connector Socket for PCB, 14 pin	CW Industries	CWR-220-14-0000	Digikey	CSC14G-ND	www.digikey.com	
23	1	cable assy		Ribbon Cable, 14 Conductor, IDC Flat, 28 AWG Color Stranded	3-M	517-3302-14	Mouser	3302-14	www.mouser.com	