

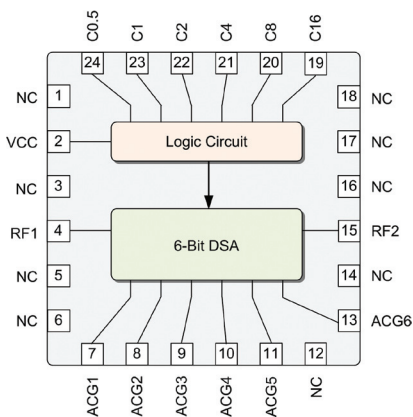


RFMD offers 6-bit digital step attenuators (DSAs) that feature high linearity over the entire 31.5dB gain control range with excellent step accuracy in 0.5dB steps. Parts are available with either a parallel control or a serial control interface that are both 3V and 5V compatible. Both DSAs offer Class 1B HBM ESD ratings via on-chip ESD circuitry.

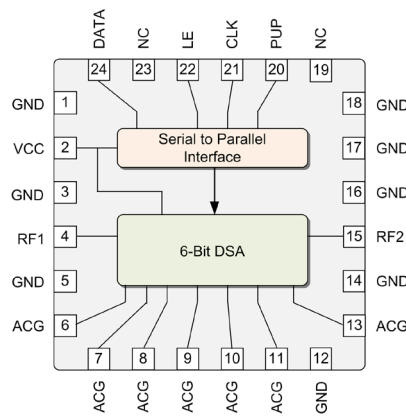
SPECIFICATIONS

Freq Range (Min) (MHz)	Freq Range (Max) (MHz)	Number of Bits	Step Size (dB)	Attenuation Range (dB)	Insertion Loss (dB)	IIP3 (dBm)	Interface	V _{cc} (V)	Package (mm)	Part Number
50	4000	6	0.5	31.5	1.9	48	parallel	5	QFN 4 x 4	RFSA2614
50	4000	6	0.5	31.5	1.9	48	serial	5	MCM 4 x 4	RFSA2624

RFSA2614



RFSA2624



FEATURES

- Frequency range: 50 to 4000MHz
- High linearity, IIP3=48dBm over 700 to 2700MHz
- 6-bit, 31.5dB range, 0.5dB step
- Parallel or serial interface available
- On-chip ESD protection >500V HBM
- Single supply, 3V to 5V operation
- Applications include: transceiver RF and IF applications; cellular, PCS, GSM, UMTS, LTE, WiMAX/WLAN; wireless data, satellite terminals; test equipment

Order RFMD® products online at www.rfmd.com/rfmdExpress.

For sales or technical support, contact your authorized local sales representative (see www.rfmd.com/globalsales).

Register to receive RFMD's latest product releases with our Email Component Alerts at www.rfmd.com/emallalert.

7628 Thorndike Rd., Greensboro, NC 27409-9421 USA • Phone 336.664.1233

 These products comply with RFMD's green packaging standards.

RFMD® is a trademark of RFMD, LLC. All other trade names, trademarks and registered trademarks are the property of their respective owners. ©2011 RFMD.

MPG.Digital Step Attenuators.0611.175