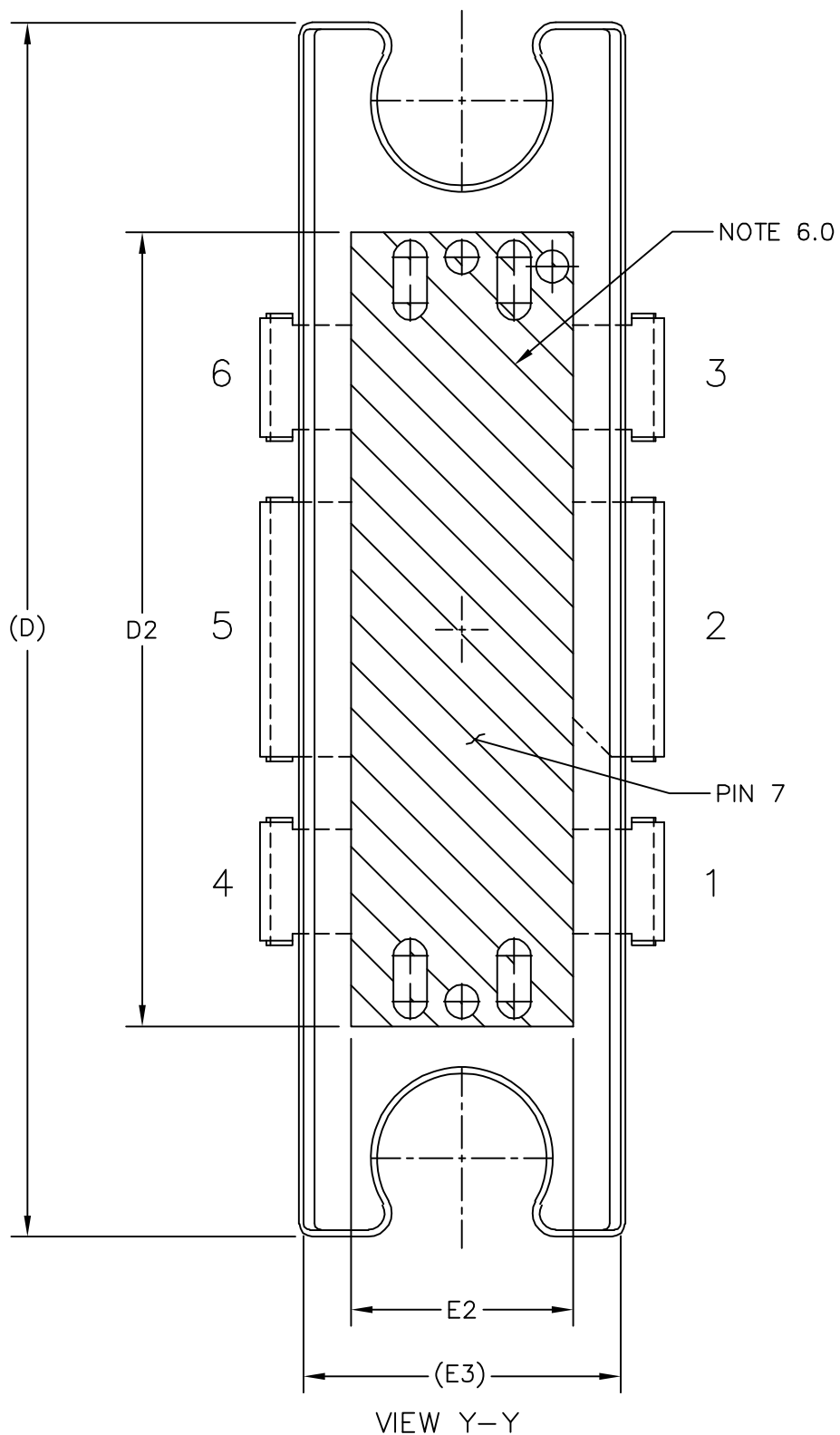


| | | | |
|--|---------------------------|----------------------------|-------------|
| © FREESCALE SEMICONDUCTOR, INC. ALL RIGHTS RESERVED. | MECHANICAL OUTLINE | PRINT VERSION NOT TO SCALE | |
| TITLE: <div style="text-align: center;"> <p>TO-272</p> <p>SCREW DOWN MOUNT</p> </div> | DOCUMENT NO: 98ASH98116A | | REV: L |
| | CASE NUMBER: 1264-10 | | 03 AUG 2007 |
| | STANDARD: JEDEC TO-272 AA | | |



© FREESCALE SEMICONDUCTOR, INC.
ALL RIGHTS RESERVED.

MECHANICAL OUTLINE

PRINT VERSION NOT TO SCALE

TITLE:
TO-272
SCREW DOWN MOUNT

DOCUMENT NO: 98ASH98116A

REV: L

CASE NUMBER: 1264-10

03 AUG 2007

STANDARD: JEDEC TO-272 AA

NOTES:

1. CONTROLLING DIMENSION: INCH
2. INTERPRET DIMENSIONS AND TOLERANCES PER ASME Y14.5M-1994.
3. DATUM PLANE -H- IS LOCATED AT THE TOP OF LEAD AND IS COINCIDENT WITH THE LEAD WHERE THE LEAD EXITS THE PLASTIC BODY AT THE TOP OF THE PARTING LINE.
4. DIMENSIONS "D" AND "E1" DO NOT INCLUDE MOLD PROTRUSION. ALLOWABLE PROTRUSION IS .006 PER SIDE. DIMENSIONS "D" AND "E1" DO INCLUDE MOLD MISMATCH AND ARE DETERMINED AT DATUM PLANE -H-.
5. DIMENSIONS "b1" AND "b3" DO NOT INCLUDE DAMBAR PROTRUSION. ALLOWABLE DAMBAR PROTRUSION SHALL BE .005 TOTAL IN EXCESS OF THE "b1" AND "b2" DIMENSIONS AT MAXIMUM MATERIAL CONDITION.
6. CROSSHATCHING REPRESENTS THE EXPOSED AREA OF THE HEAT SLUG.

STYLE 1:

| | |
|-------------------------|-------------------------|
| PIN 1 - SOURCE (COMMON) | PIN 4 - SOURCE (COMMON) |
| PIN 2 - DRAIN | PIN 5 - GATE |
| PIN 3 - SOURCE (COMMON) | PIN 6 - SOURCE (COMMON) |
| | PIN 7 - SOURCE (COMMON) |

| DIM | INCH | | MILLIMETER | | DIM | INCH | | MILLIMETER | |
|-----|------|------|------------|-------|-----|----------|------|------------|------|
| | MIN | MAX | MIN | MAX | | MIN | MAX | MIN | MAX |
| A | .098 | .108 | 2.49 | 2.74 | b1 | .193 | .199 | 4.90 | 5.05 |
| A1 | .000 | .004 | 0.00 | 0.10 | b2 | .078 | .084 | 1.98 | 2.13 |
| A2 | .100 | .104 | 2.54 | 2.64 | b3 | .088 | .094 | 2.24 | 2.39 |
| D | .928 | .932 | 23.57 | 23.67 | c1 | .007 | .011 | 0.18 | 0.28 |
| D1 | .806 | .814 | 20.47 | 20.68 | e | .193 BSC | | 4.90 BSC | |
| D2 | .604 | ---- | 15.34 | ---- | r1 | .063 | .068 | 1.60 | 1.73 |
| E | .296 | .304 | 7.52 | 7.72 | θ | 0° | 6° | 0° | 6° |
| E1 | .248 | .252 | 6.30 | 6.40 | aaa | .004 | | 0.1 | |
| E2 | .162 | ---- | 4.11 | ---- | | | | | |
| E3 | .241 | .245 | 6.12 | 6.22 | | | | | |
| L | .060 | .070 | 1.52 | 1.78 | | | | | |

© FREESCALE SEMICONDUCTOR, INC.
ALL RIGHTS RESERVED.

MECHANICAL OUTLINE

PRINT VERSION NOT TO SCALE

| | | |
|--|---------------------------|-------------|
| <p>TITLE:</p> <p style="text-align: center;">TO-272 SCREW DOWN MOUNT</p> | DOCUMENT NO: 98ASH98116A | REV: L |
| | CASE NUMBER: 1264-10 | 03 AUG 2007 |
| | STANDARD: JEDEC TO-272 AA | |