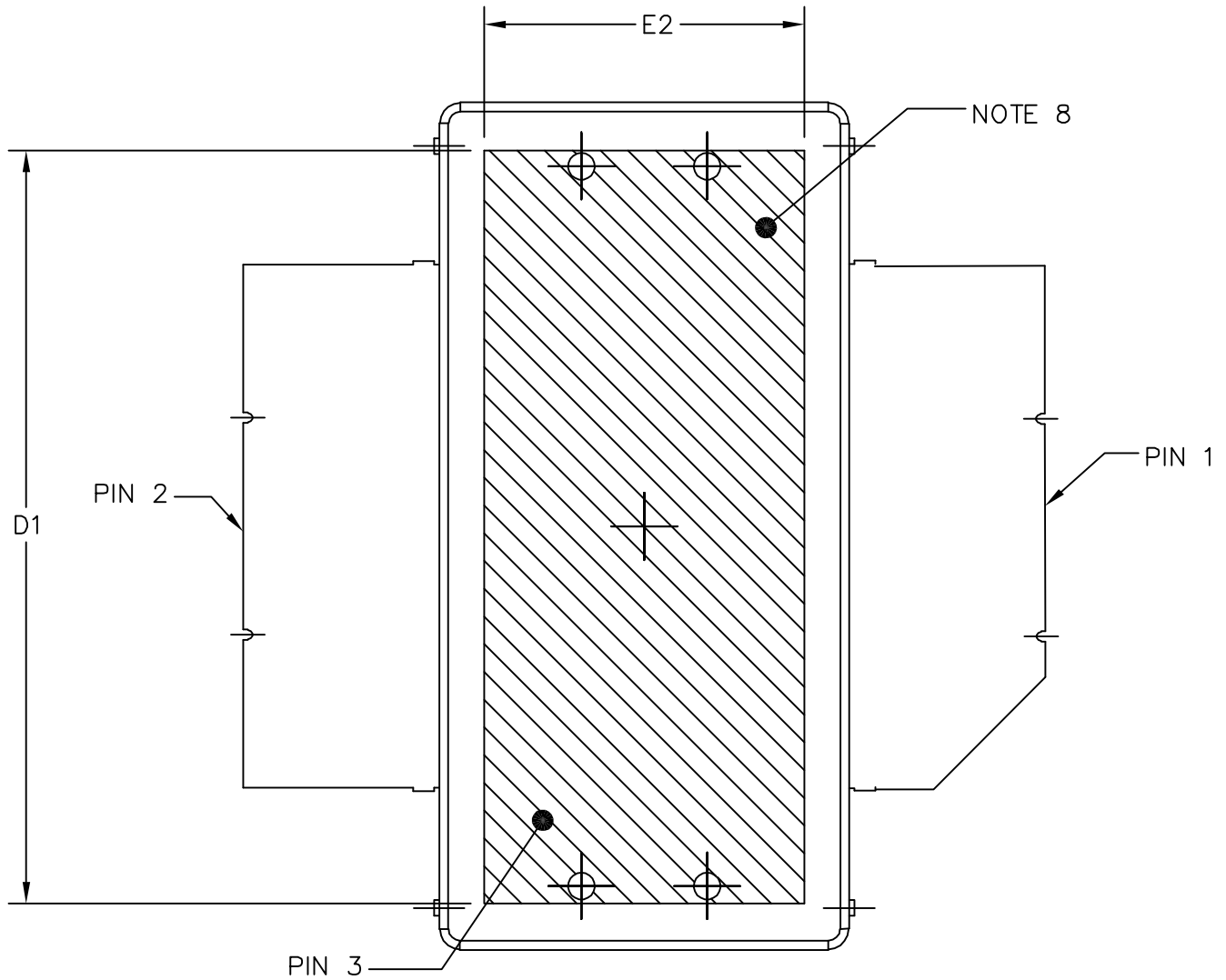


|                                                                                                               |                           |                            |             |
|---------------------------------------------------------------------------------------------------------------|---------------------------|----------------------------|-------------|
| © FREESCALE SEMICONDUCTOR, INC.<br>ALL RIGHTS RESERVED.                                                       | <b>MECHANICAL OUTLINE</b> | PRINT VERSION NOT TO SCALE |             |
| TITLE:<br><div style="text-align: center; padding: 10px;"> <b>OM780-2<br/>           STRAIGHT LEAD</b> </div> | DOCUMENT NO: 98ASA10831D  |                            | REV: B      |
|                                                                                                               | CASE NUMBER: 2021-03      |                            | 22 OCT 2009 |
|                                                                                                               | STANDARD: NON-JEDEC       |                            |             |



BOTTOM VIEW  
VIEW G-G

|                                                                                         |                           |                            |             |
|-----------------------------------------------------------------------------------------|---------------------------|----------------------------|-------------|
| © FREESCALE SEMICONDUCTOR, INC.<br>ALL RIGHTS RESERVED.                                 | <b>MECHANICAL OUTLINE</b> | PRINT VERSION NOT TO SCALE |             |
| TITLE:<br><br><div style="text-align: center;"> <p>OM780-2<br/>STRAIGHT LEAD</p> </div> | DOCUMENT NO: 98ASA10831D  |                            | REV: B      |
|                                                                                         | CASE NUMBER: 2021-03      |                            | 22 OCT 2009 |
|                                                                                         | STANDARD: NON-JEDEC       |                            |             |

NOTES:

1. CONTROLLING DIMENSION: INCH
2. INTERPRET DIMENSIONS AND TOLERANCES PER ASME Y14.5M-1994.
3. DATUM PLANE -H- IS LOCATED AT TOP OF LEAD AND IS COINCIDENT WITH THE LEAD WHERE THE LEAD EXITS THE PLASTIC BODY AT THE TOP OF THE PARTING LINE.
4. DIMENSIONS "D" AND "E1" DO NOT INCLUDE MOLD PROTRUSION. ALLOWABLE PROTRUSION IS .006 PER SIDE. DIMENSIONS "D AND "E1" DO INCLUDE MOLD MISMATCH AND ARE DETERMINED AT DATUM PLANE -H-.
5. DIMENSION b DOES NOT INCLUDE DAMBAR PROTRUSION. ALLOWABLE DAMBAR PROTRUSION SHALL BE .005 TOTAL IN EXCESS OF THE b DIMENSION AT MAXIMUM MATERIAL CONDITION.
6. DATUMS -A- AND -B- TO BE DETERMINED AT DATUM PLANE -H-.
7. DIMENSION A1 APPLIES WITHIN ZONE "J" ONLY
8. HATCHING REPRESENTS THE EXPOSED AREA OF THE HEAT SLUG. THE DIMENSIONS D1 AND E2 REPRESENT THE VALUES BETWEEN THE TWO OPPOSITE POINTS ALONG THE EDGES OF EXPOSED AREA OF HEAT SLUG.

STYLE 1:

- PIN 1 - DRAIN
- PIN 2 - GATE
- PIN 3 - SOURCE

| DIM | INCH     |      | MILLIMETER |       | DIM | INCH |      | MILLIMETER |       |
|-----|----------|------|------------|-------|-----|------|------|------------|-------|
|     | MIN      | MAX  | MIN        | MAX   |     | MIN  | MAX  | MIN        | MAX   |
| A   | 0.148    | .152 | 3.76       | 3.86  | b   | .497 | .503 | 12.62      | 12.78 |
| A1  | .059     | .065 | 1.50       | 1.65  | c1  | .007 | .011 | 0.18       | 0.28  |
| D   | .808     | .812 | 20.52      | 20.62 | e1  | .721 | .729 | 18.31      | 18.52 |
| D1  | .720     | ---- | 18.29      | ----  |     |      |      |            |       |
| E   | .762     | .770 | 19.36      | 19.56 | aaa | .004 |      | 0.10       |       |
| E1  | .390     | .394 | 9.91       | 10.01 |     |      |      |            |       |
| E2  | .306     | ---- | 7.77       | ----  |     |      |      |            |       |
| E3  | .383     | .387 | 9.73       | 9.83  |     |      |      |            |       |
| F   | .025 BSC |      | 0.635 BSC  |       |     |      |      |            |       |

© FREESCALE SEMICONDUCTOR, INC.  
ALL RIGHTS RESERVED.

**MECHANICAL OUTLINE**

PRINT VERSION NOT TO SCALE

|                                                                                                                                           |                          |             |
|-------------------------------------------------------------------------------------------------------------------------------------------|--------------------------|-------------|
| TITLE:<br><br><div style="text-align: center;">                     OM780-2<br/>                     STRAIGHT LEAD                 </div> | DOCUMENT NO: 98ASA10831D | REV: B      |
|                                                                                                                                           | CASE NUMBER: 2021-03     | 22 OCT 2009 |
|                                                                                                                                           | STANDARD: NON-JEDEC      |             |